

Job Name: 26-1555 - Berry Global East Parking Lot Consolidation
Job Location: Evansville, IN
Contractor: Deig Bros Lumber & Construction Co, Inc.

PC: A. Chambers
 TECH: Jared - F
 Plant: 100



Structure ID: **CI 103-4 ST-IN**
 Spec: Storm
 Type: STM.MH
 Size: 48"

Rim: 384.23'
 Invert: 380.2'
 Rim to Invert: 4.03'

Sump: 36"
 Floor (Top): 377.2"
 Floor Height: 6"

Floor (Bot): 376.7'
 Overall Height: 7.5'
 Slack: 0.36"

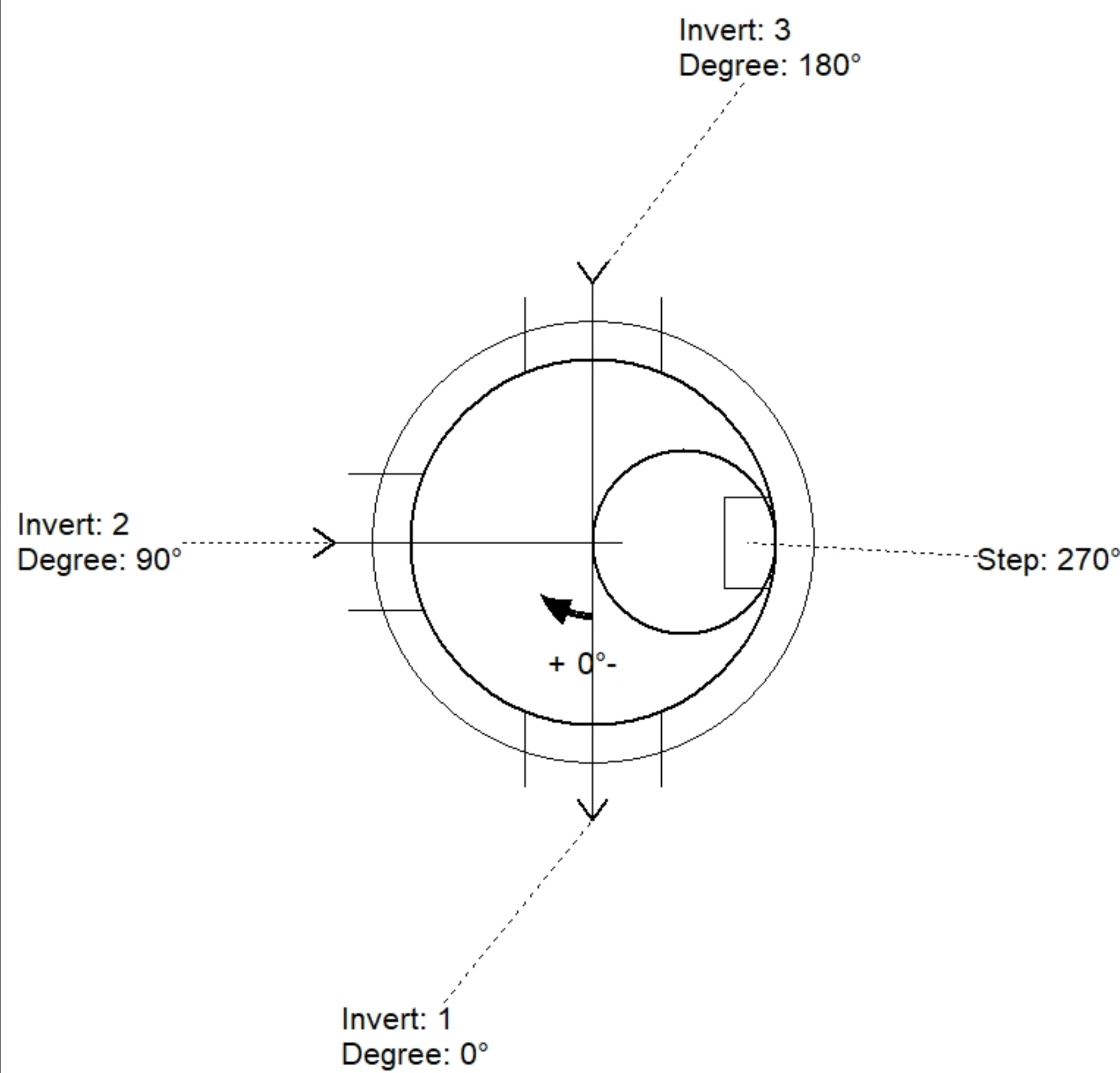
Structure Notes:

1. PER ASTM C478 SPECIFICATIONS.
2. CONCRETE = 4,000 PSI AT 28 DAYS.
3. NO INVERT CHANNEL.
4. CASTING BY ICAST (HOE R-3305 TYPE 3 F/C).

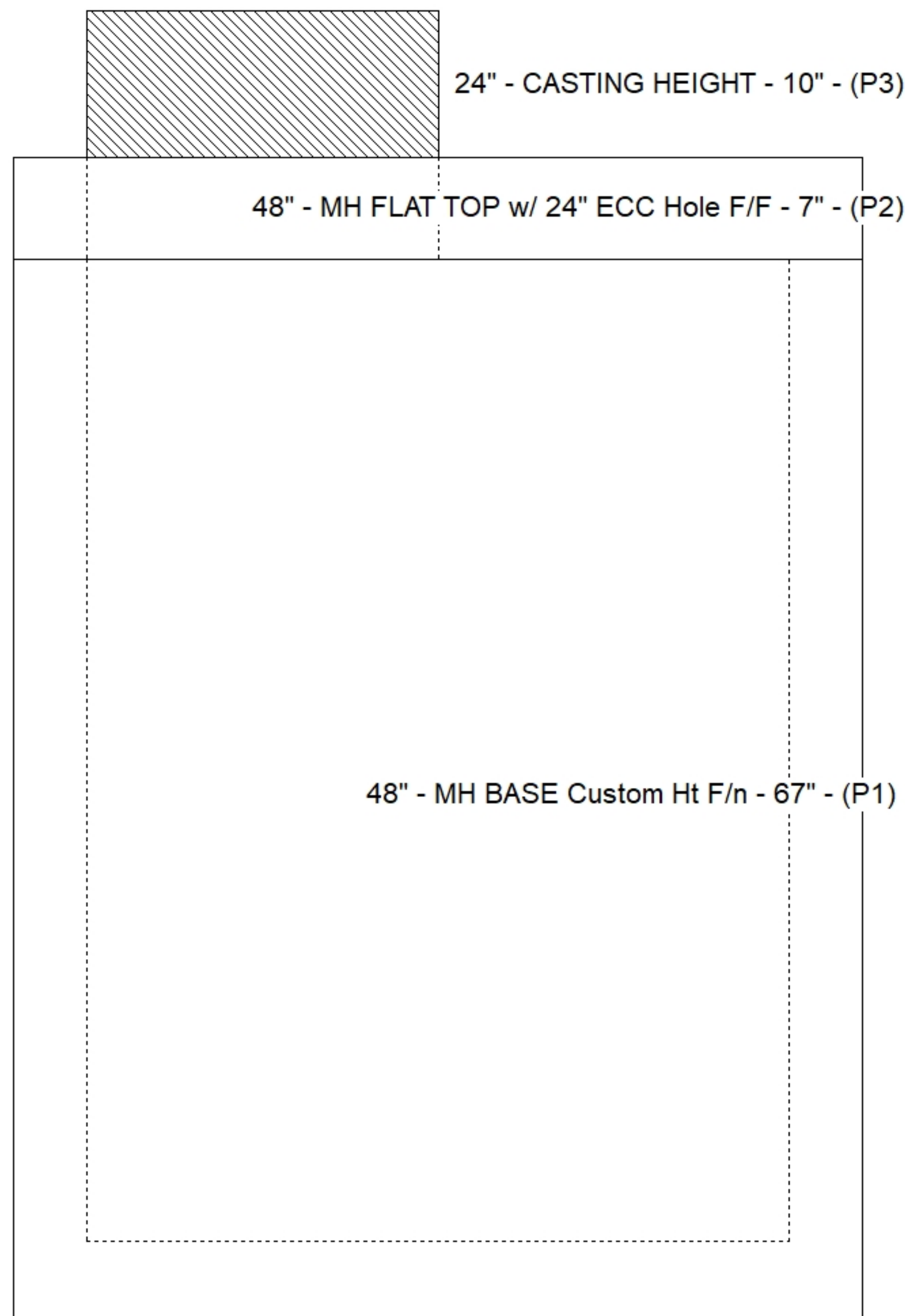
REINFORCING PER ASTM A615 (GRADE 60).
 - TOP SLAB (As .62) #5 BARS AT 6" C.C.E.W..
 - RISER/WALLS (As .12)
 - FLOOR (As .31) #5 BARS AT 12" C.C.E.W.

STRUCTURE SUMMARY:

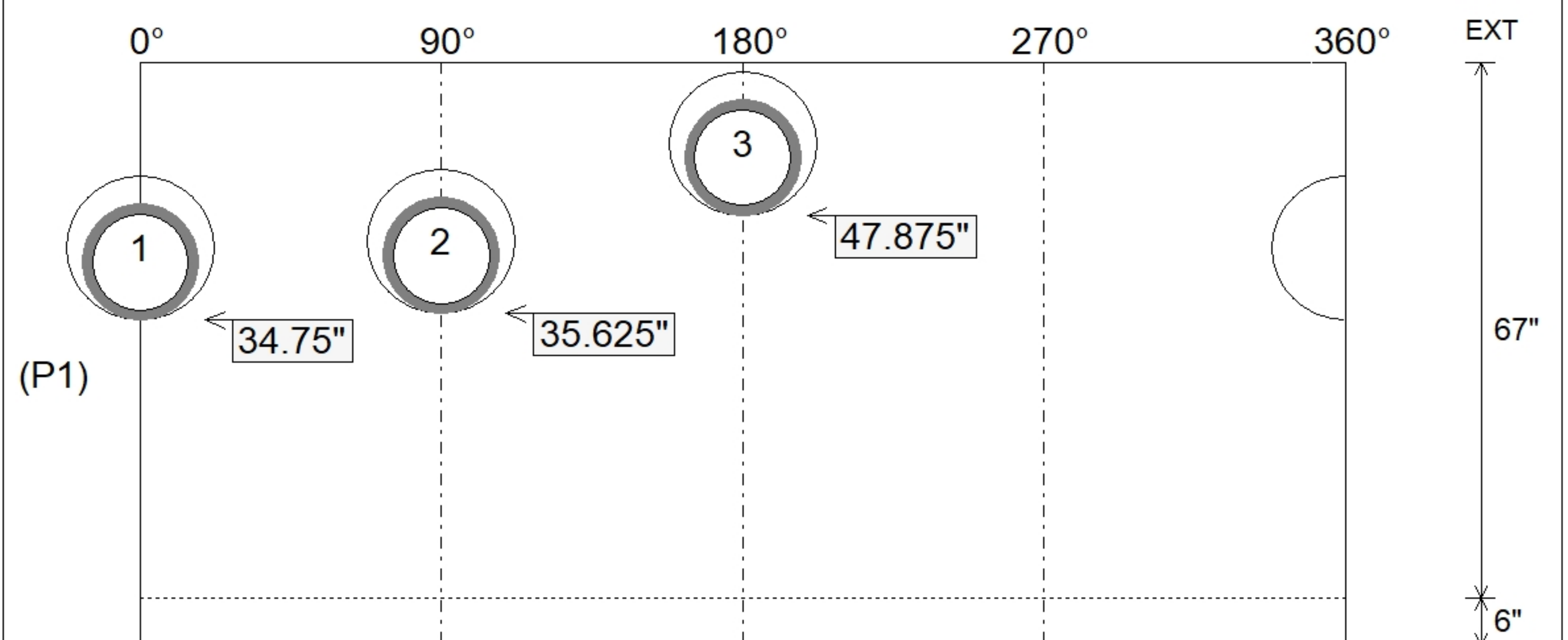
P3) 24" - CASTING HEIGHT - 10"	0 lb
P2) 48" - MH FLAT TOP w/ 24" ECC Hole F/F - 7"	1286 lb
P1) 48" - MH BASE Custom Ht F/n - 67"	5684 lb
1) CASTING - HOE R-3305 TYPE 3 F/C	443 lb
1) SNOOT - BMP SNOOT 18R w/ KIT	25 lb
1) 48" - Conseal CS-102 1.00"	0 lb
3) Hole - 18	0 lb
3) MH Step ML-10-TDS-NCR - 10"	0 lb
Structure Total:	7438 lb



Position	Elev	Angle	Pipe	Pipe OD	Hole	Connector	Up (")	Ref
Rim	384.23'							
Reducer								
Invert 1	380.2'	0°	12" HDPE	14.5"	18"	Hole 18	34.75"	P1
Invert 2	380.27'	90°	12" HDPE	14.5"	18"	Hole 18	35.625"	P1
Invert 3	381.29'	180°	12" HDPE	14.5"	18"	Hole 18	47.875"	P1
Invert 4								
Invert 5								
Invert 6								
Invert 7								
Invert 8								



Cast (Int. Dim.) - Interior Dimensions



Submittal Drawing
 4/14/2026 9:51:29 AM

SUBMITTAL
 APPROVED BY: