

Job Name: 26-1555 - Berry Global East Parking Lot Consolidation
 Job Location: Evansville, IN
 Contractor: Deig Bros Lumber & Construction Co, Inc.

Plant: 100
 4/10/2026 12:26:13 PM

Tech: Jared - F
 PC: A. Chambers



Structure ID: CI 103-4 ST-IN

P1 MH048BAVF

MH BASE Custom Ht F/n

- P3) 24" - CASTING HEIGHT - 10"
- P2) 48" - MH FLAT TOP w/ 24" ECC Hole F/F - 7"
- P1) 48" - MH BASE Custom Ht F/n - 67"
- 1) CASTING - HOE R-3305 TYPE 3 F/C
- 1) CASTING - BMP SNOOT 18R w/ KIT
- 1) 48" - Conseal CS-102 1.00"
- 3) Hole - 18
- 3) MH Step ML-10-TDS-NCR - 10"

0 lb
 1286 lb
 5684 lb
 443 lb
 25 lb
 0 lb
 0 lb
 0 lb

 Structure Total: 7438 lb

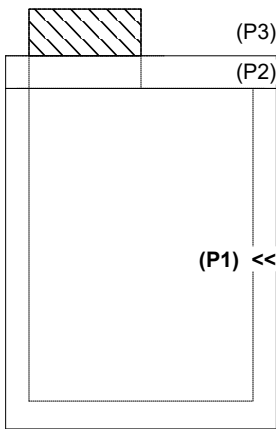
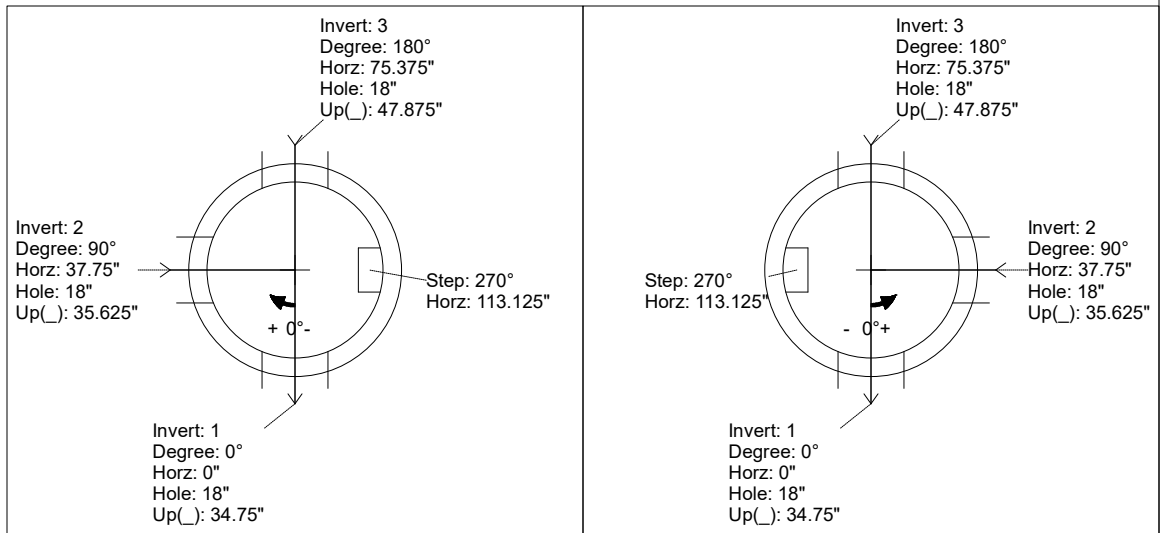
Structure Notes:
 1. PER ASTM C478 SPECIFICATIONS.
 2. CONCRETE = 4,000 PSI AT 28 DAYS.
 3. NO INVERT CHANNEL.
 4. CASTING BY ICAST (HOE R-3305 TYPE 3 F/C).
 REINFORCING PER ASTM A615 (GRADE 60).
 - TOP SLAB (As .62) #5 BARS AT 6" C.C.E.W..
 - RISER/WALLS (As .12)
 - FLOOR (As .31) #5 BARS AT 12" C.C.E.W.

Rim: 384.23' Rim to Invert: 4.03' Slack: 0.36" Sump: 36" Step Position: 270°

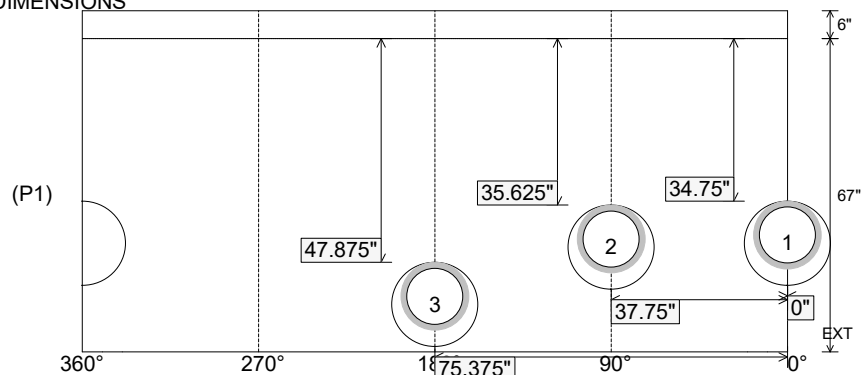
Position	Elev	Angle	Ext. (cw)	Pipe	Pipe OD	Connector	Hole	Horz Size	Up ()	Offset
Invert 1	380.2'	0°	0"	12" HDPE	14.5"	Hole 18	18"	18.451"	34.75"	0"
Invert 2	380.27'	90°	45.5"	12" HDPE	14.5"	Hole 18	18"	18.451"	35.625"	0"
Invert 3	381.29'	180°	91.125"	12" HDPE	14.5"	Hole 18	18"	18.451"	47.875"	0"
Invert 4										
Invert 5										
Invert 6										
Invert 7										
Invert 8										

RIGHT-SIDE UP VIEW (int. dimensions)

UPSIDE-DOWN VIEW (int. dimensions)



INSIDE WALL DIMENSIONS



Coating (Int):
 Coating (Ext):

Seam Up: Flat
 Seam Dn: n/a

Wall Thickness: 5"
 Floor Height: 6"

Height (Int): 67"
 Height (Ext): 73"

Weight (Net): 5684 lb
 Volume (Net): 1.45cu.yd