

Job Name: 26-1555 - Berry Global East Parking Lot Consolidation
Job Location: Evansville, IN
Contractor: Deig Bros Lumber & Construction Co, Inc.

PC: A. Chambers
 TECH: Jared - F
 Plant: 100



Structure ID: **CI 102-3 ST-IN**
 Spec: Storm
 Type: BX 8inW, 8inF
 Size: 24" x 36"

Rim: 385.18'
 Invert: 382.48'
 Rim to Invert: 2.7'

Sump: 36"
 Floor (Top): 379.48'
 Floor Height: 8"

Floor (Bot): 378.813'
 Overall Height: 6.333'
 Slack: 0.4"

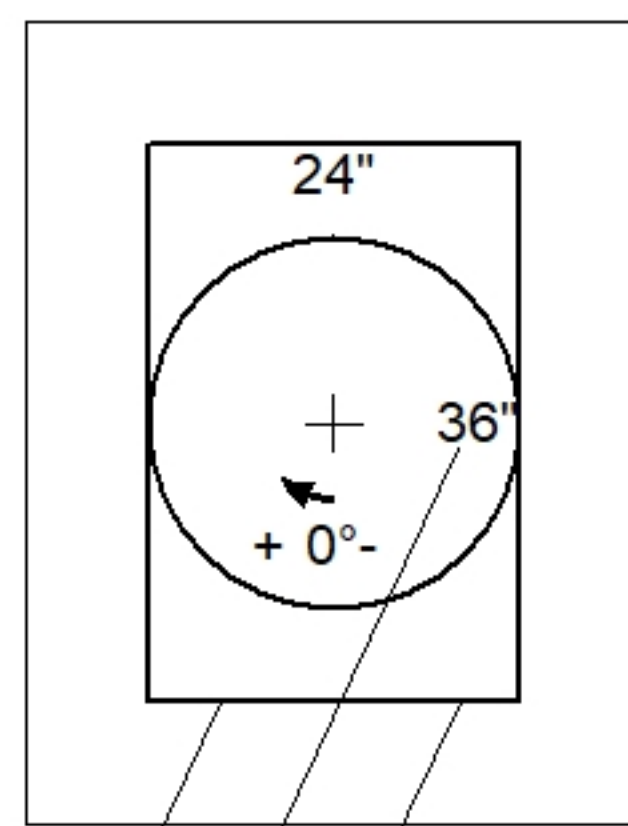
Structure Notes:

1. PER ASTM C913 SPECIFICATIONS.
2. CONCRETE = 4,000 PSI AT 28 DAYS.
3. NO STEPS AND NO INVERT CHANNEL.
4. CASTING BY ICAST (HOE R-3305 TYPE 3 F/C).

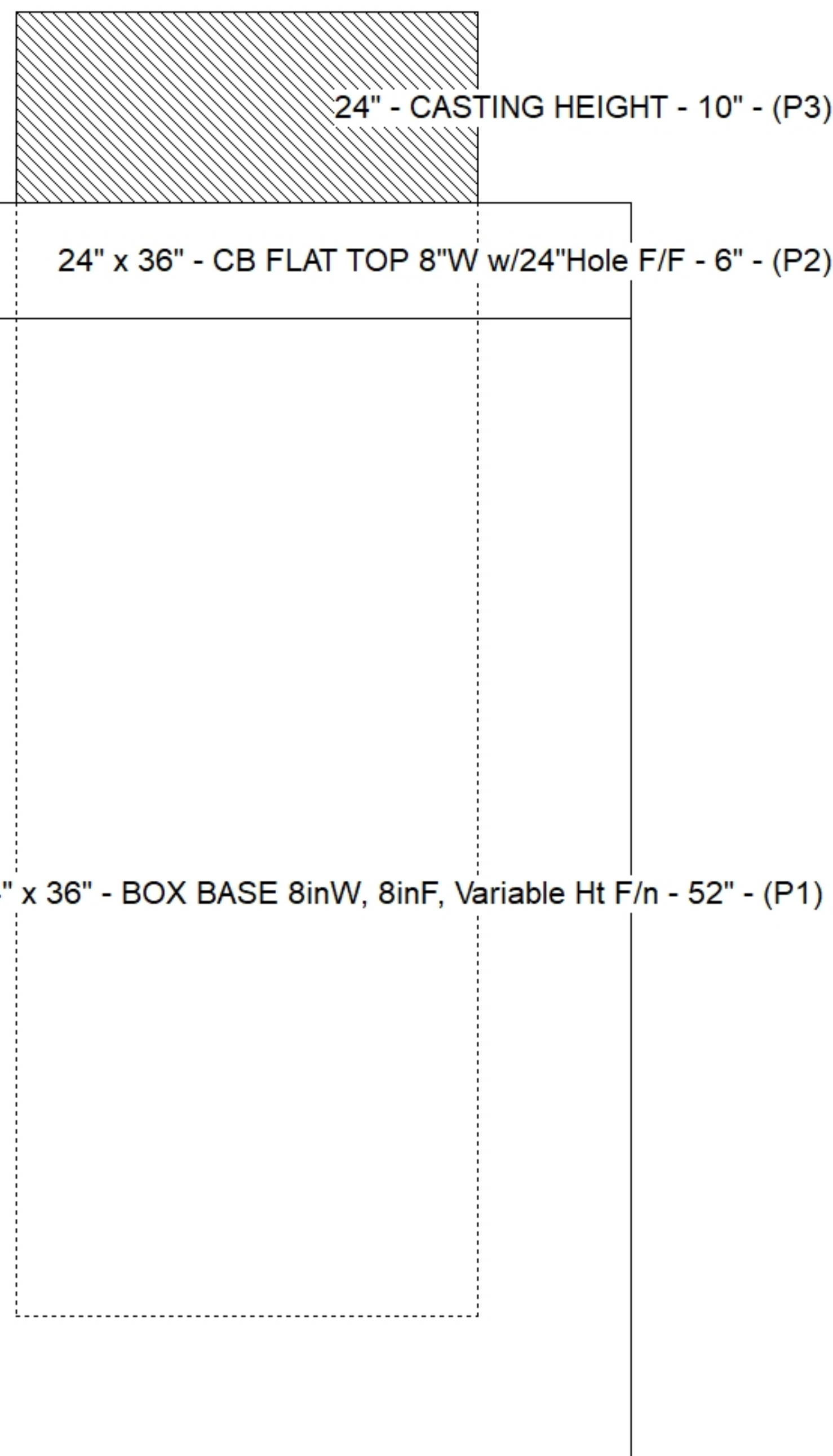
REINFORCING PER ASTM A615 (GRADE 60).
 - TOP SLAB (As .62) #5 BARS AT 6" C.C.E.W.
 - WALLS (As .12) #5 BARS AT 12" C.C.E.W.
 - FLOOR (As .12) #5 BARS AT 12" C.C.E.W.

STRUCTURE SUMMARY:

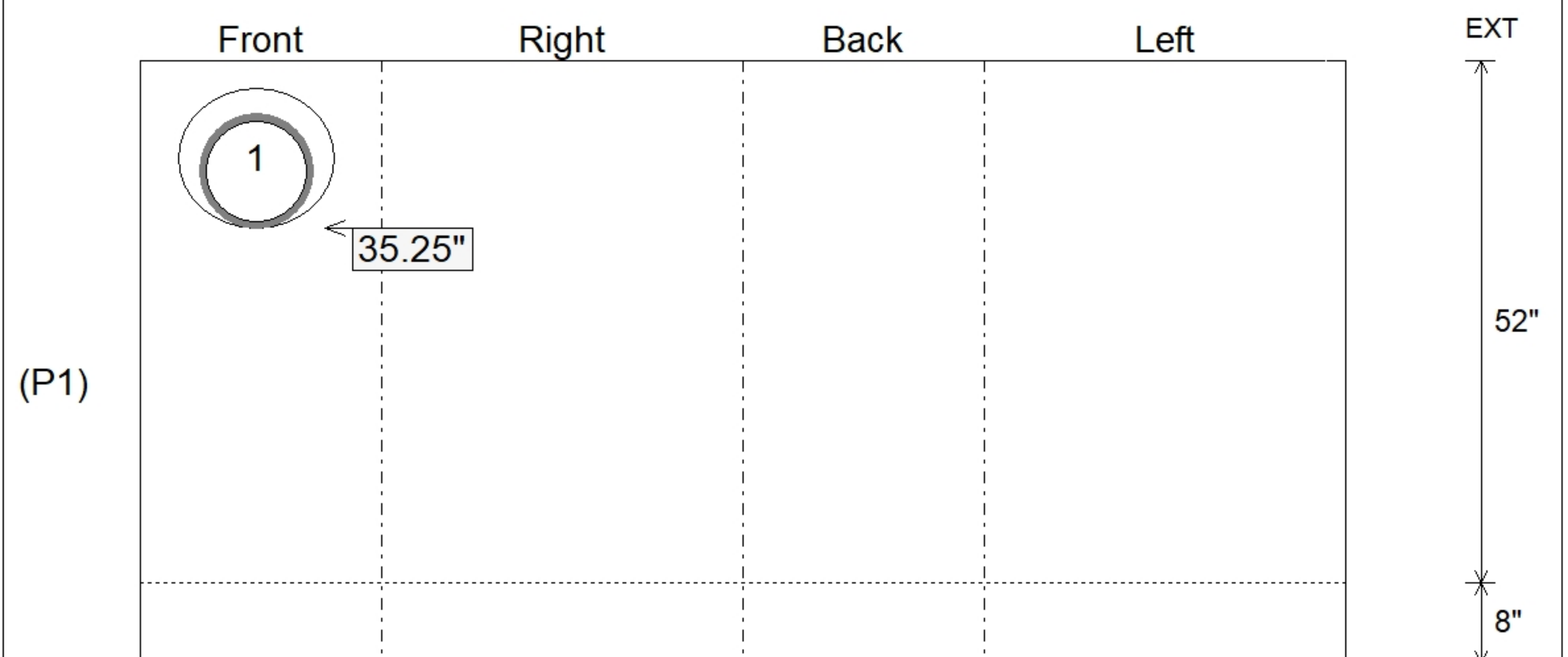
P3) 24" - CASTING HEIGHT - 10"	0 lb
P2) 24" x 36" - CB FLAT TOP 8"W w/24"Hole F/F - 6"	819 lb
P1) 24" x 36" - BOX BASE 8inW, 8inF, Variable Ht F/n - 52"	6588 lb
1) CASTING - HOE R-3305 TYPE 3 F/C	443 lb
1) SNOOT - BMP SNOOT 18F w/ KIT	25 lb
1) 24" x 36" - Conseal CS-102 1.00"	0 lb
1) Hole - 14	0 lb
Structure Total:	7876 lb



Position	Elev	Angle	Pipe	Pipe OD	Hole	Connector	Up ()	Ref
Rim	385.18'							
Reducer								
Invert 1	382.48'	25°	10" HDPE	11.4"	14"	Hole 14	35.25"	P1
Invert 2								
Invert 3								
Invert 4								
Invert 5								
Invert 6								
Invert 7								
Invert 8								



Cast (Int. Dim.) - Interior Dimensions



Submittal Drawing
 4/14/2026 9:51:28 AM

SUBMITTAL
 APPROVED BY: