

Job Name: 26-1555 - Berry Global East Parking Lot Consolidation  
 Job Location: Evansville, IN  
 Contractor: Deig Bros Lumber & Construction Co, Inc.

Plant: 100  
 4/10/2026 12:22:02 PM

Tech: Jared - F  
 PC: A. Chambers

**Structure ID: CI 102-3 ST-IN**

**P2** BX024036-08LD06S

**CB FLAT TOP 8"W w/24"Hole F/F**

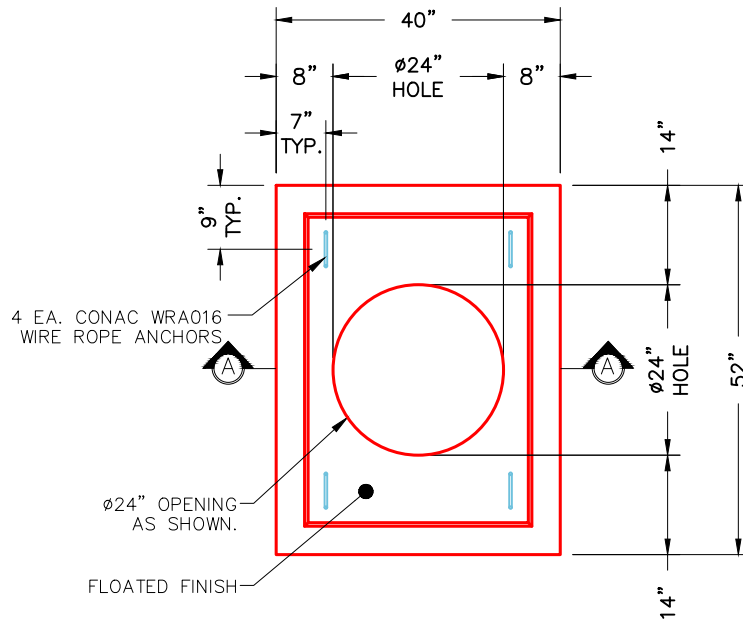
- P3) 24" - CASTING HEIGHT - 10"
- P2) 24" x 36" - CB FLAT TOP 8"W w/24"Hole F/F - 6"
- P1) 24" x 36" - BOX BASE 8inW, 8inF, Variable Ht F/n - 52"
- 1) CASTING - BMP SNOUT 18F w/ KIT
- 1) CASTING - HOE R-3305 TYPE 3 F/C
- 1) 24" x 36" - Conseal CS-102 1.00"
- 1) Hole - 14

0 lb  
 819 lb  
 6588 lb  
 25 lb  
 443 lb  
 0 lb  
 0 lb  
 -----  
 Structure Total: 7876 lb

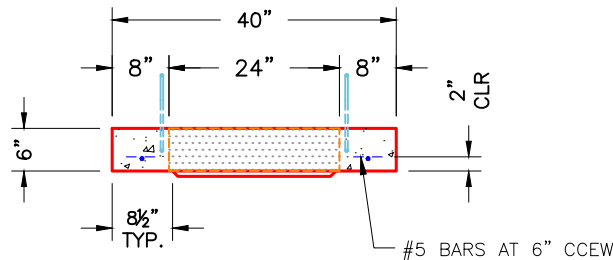
Structure Notes:

1. PER ASTM C913 SPECIFICATIONS.
2. CONCRETE = 4,000 PSI AT 28 DAYS.
3. NO STEPS AND NO INVERT CHANNEL.
4. CASTING BY ICAST (HOE R-3305 TYPE 3 F/C).

REINFORCING PER ASTM A615 (GRADE 60).  
 - TOP SLAB (As .62) #5 BARS AT 6" C.C.E.W.  
 - WALLS (As .12) #5 BARS AT 12" C.C.E.W.  
 - FLOOR (As .12) #5 BARS AT 12" C.C.E.W.



**PLAN VIEW**



**SECTION A-A**

NOTES:

1. MANUFACTURED TO ASTM C-913 (LATEST REVISION).
2. CONCRETE: 4,000 PSI AT 28 DAYS.
3. REINFORCING: #5 BAR @ 6" O.C. E.W. (GRADE 60).

Coating (Int):  
 Coating (Ext):

Seam Up: Flat  
 Seam Dn: Flat

Wall Thickness: 8"

Height (Ext): 6"

Weight (Net): 819 lb  
 Volume (Net): 0.21cu.yd