

Job Name: 26-1523 - Henderson Vet Clinic
 Job Location: Henderson, KY
 Contractor: Smiley Excavating

Plant: 100
 3/30/2026 8:15:57 AM

Tech: J. Horsley
 PC: T. Lewis



Structure ID: AD 102

P1 BX24240606VF

BOX BASE 6inW, 6inF, Variable Ht F/n

- P2) 24" x 24" - CASTING HEIGHT - 4"
- P1) 24" x 24" - BOX BASE 6inW, 6inF, Variable Ht F/n - 29"
- 1) 24" x 24" - Conseal CS-102 1.00"
- 1) Hole - 18

0 lb
 2276 lb
 0 lb
 0 lb

 2276 lb

Structure Total:

Structure Notes:

1. PER ASTM C913 SPECIFICATIONS.
2. CONCRETE = 4,000 PSI AT 28 DAYS.
3. NO INVERT CHANNEL.
4. CASTING BY ICAST (HOE 280T F/G)

REINFORCING PER ASTM A615 (GRADE 60).

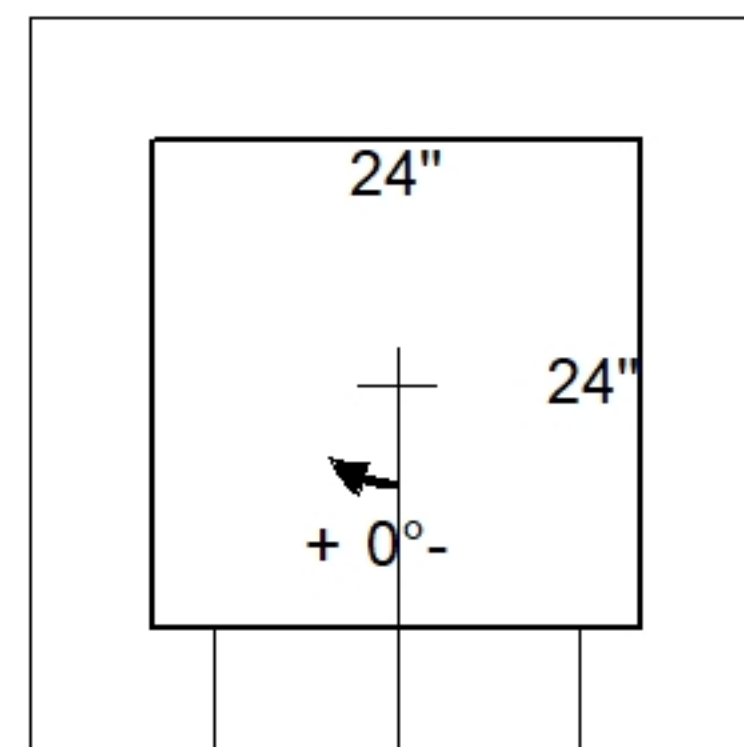
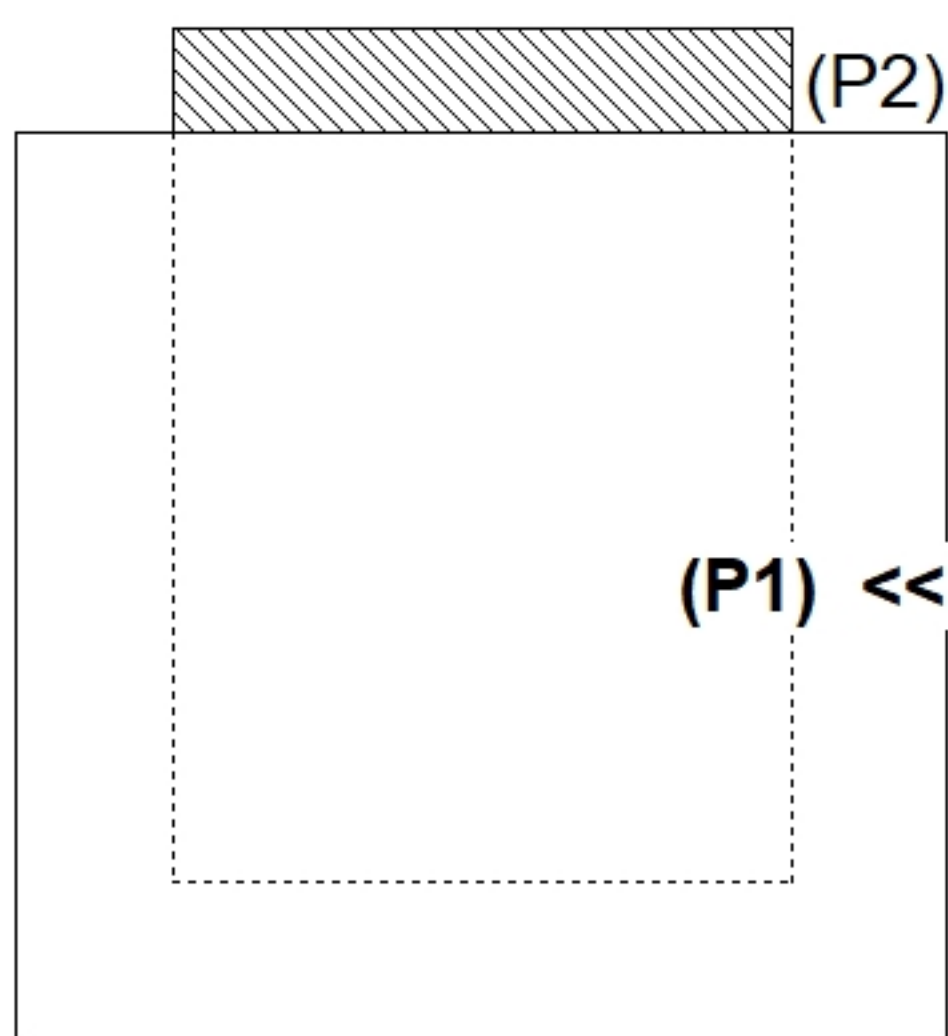
- WALLS (As .12) #5 BARS AT 12" C.C.E.W.
- FLOOR (As .12) #5 BARS AT 12" C.C.E.W.

Rim: 378.51' Rim to Invert: 2.81' Slack: 0.72" Sump: 0" Step Position:

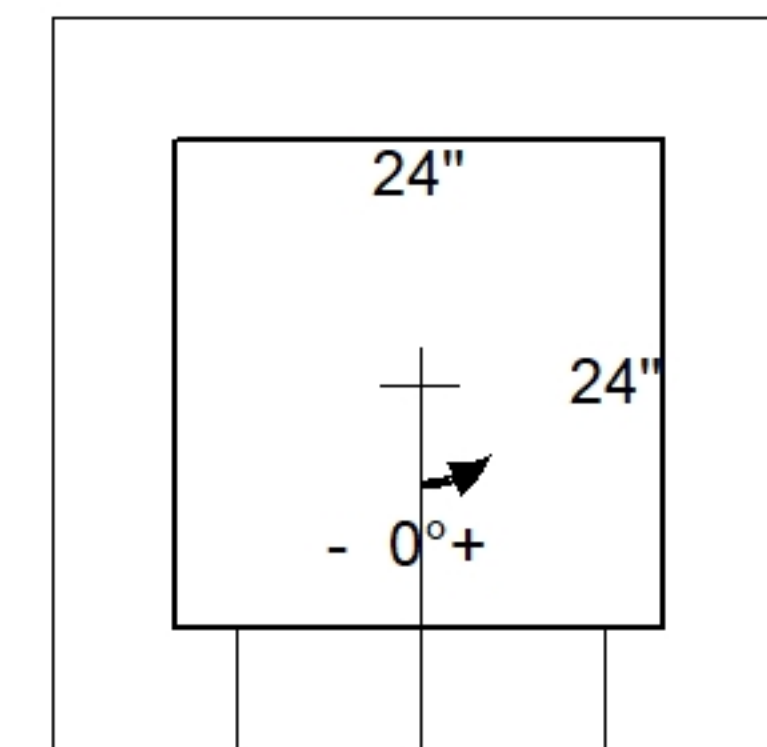
Position	Elev	Angle	Ext. (cw)	Pipe	Pipe OD	Connector	Hole	Horz Size	Up ()	Offset
Invert 1	375.7'	0°	18"	12" HDPE	14.5"	Hole 18	18"	18"	-1.25"	0"
Invert 2										
Invert 3										
Invert 4										
Invert 5										
Invert 6										
Invert 7										
Invert 8										

RIGHT-SIDE UP VIEW (int. dimensions)

UPSIDE-DOWN VIEW (int. dimensions)

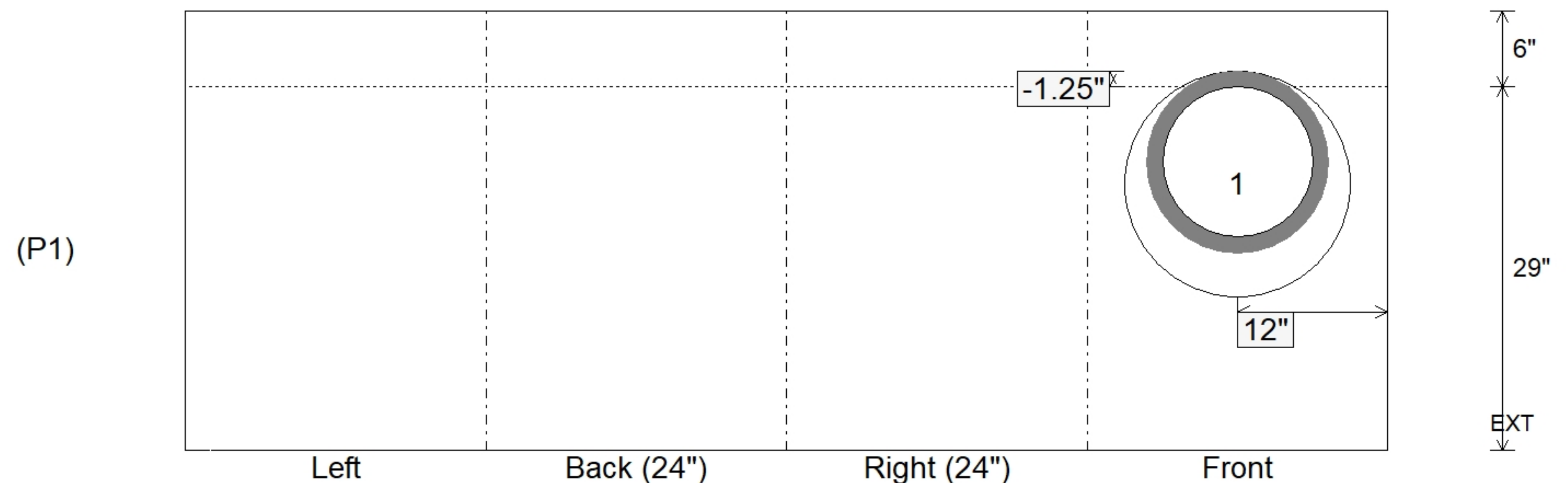


Invert: 1
 Degree: 0°
 Horz: 12"
 Hole: 18"
 Up(): -1.25"



Invert: 1
 Degree: 0°
 Horz: 12"
 Hole: 18"
 Up(): -1.25"

INSIDE WALL DIMENSIONS



Coating (Int):
 Coating (Ext):

Seam Up: Flat
 Seam Dn: n/a

Wall Thickness: 6"
 Floor Height: 6"

Height (Int): 29"
 Height (Ext): 35"

Weight (Net): 2276 lb
 Volume (Net): 0.58cu.yd