

Job Name: 26-1510 West Railroad Ave
 Job Location: Elizabethtown, KY
 Contractor: Schroeder Construction, Inc.

Plant: 100

3/30/2026 11:26:14 AM

Tech: Jared - A

PC: Celina Goff



Structure ID: 5 ST-MH

P1 MH060BAVF

MH BASE Custom Ht T/n

- P3) 24" - CASTING HEIGHT - 8"
- P2) 60" - MH FLAT TOP w/ 24" ECC Hole F/G - 13"
- P1) 60" - MH BASE Custom Ht T/n - 35"
- 1) CASTING - HOE KY-510 F/C (KY TY.2)
- 1) 60" - Conseal CS-102 1.00"
- 3) Hole - 26
- 3) MH Step ML-10-TDS-NCR - 10"

0 lb
 2869 lb
 5562 lb
 510 lb
 0 lb
 0 lb
 0 lb
 Structure Total: 8941 lb

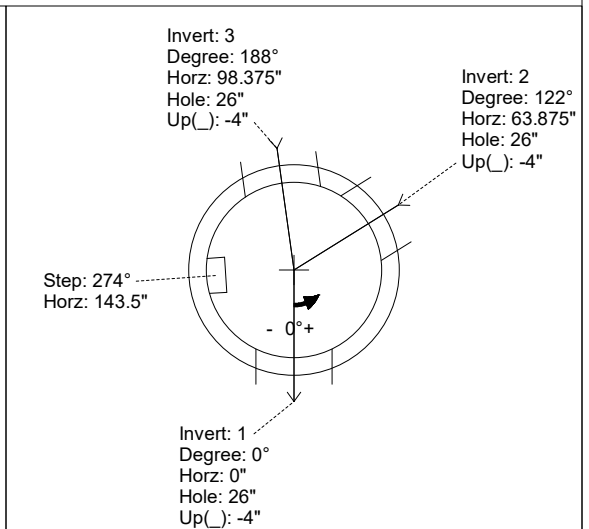
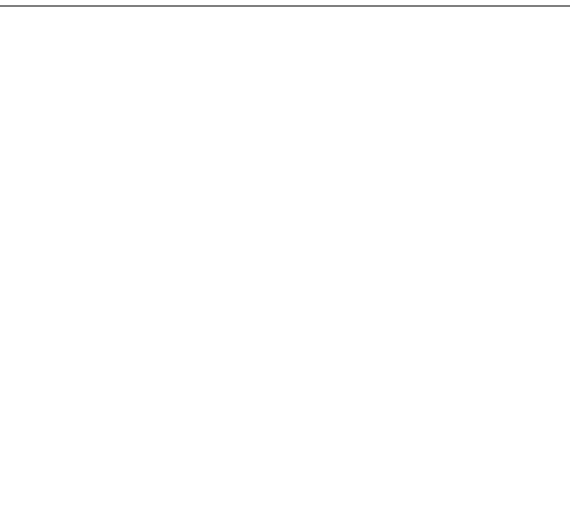
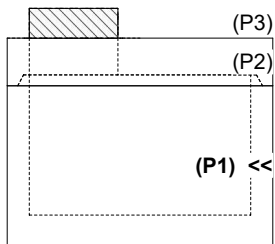
- Structure Notes:**
1. PER ASTM C-478 SPECS
 2. CONCRETE: 4,000 PSI AT 28 DAYS
 3. REINFORCEMENT: PER ASTM A615
 4. NO STORM INVERT
 5. STEPS AT 274 DEGREES
 6. HOE KY-510 FRAME & COVER "STORM" SUPPLIED BY ICAST

Rim: 722.2' Rim to Invert: 4.7' Slack: 0.4" Sump: 0" Step Position: 274°

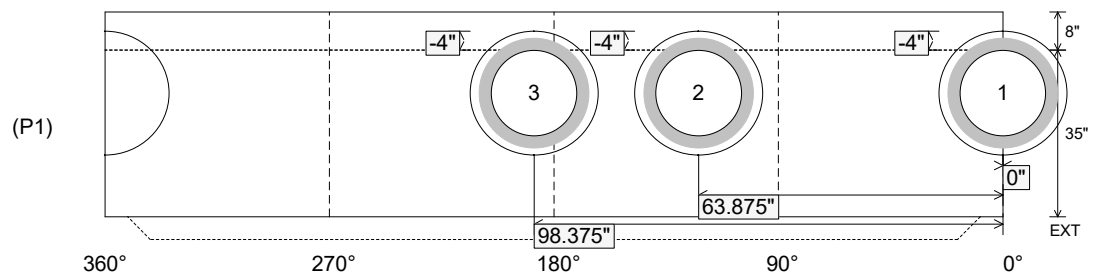
| Position | Elev | Angle | Ext. (cw) | Pipe | Pipe OD | Connector | Hole | Horz Size | Up () | Offset |
|----------|--------|-------|-----------|----------------|---------|-----------|------|-----------|--------|--------|
| Invert 1 | 717.5' | 0° | 0" | 18" RCP B WALL | 23" | Hole 26 | 26" | 26.891" | -4" | 0" |
| Invert 2 | 717.5' | 122° | 76.625" | 18" RCP B WALL | 23" | Hole 26 | 26" | 26.891" | -4" | 0" |
| Invert 3 | 717.5' | 188° | 118.125" | 18" RCP B WALL | 23" | Hole 26 | 26" | 26.891" | -4" | 0" |
| Invert 4 | | | | | | | | | | |
| Invert 5 | | | | | | | | | | |
| Invert 6 | | | | | | | | | | |
| Invert 7 | | | | | | | | | | |
| Invert 8 | | | | | | | | | | |

RIGHT-SIDE UP VIEW (int. dimensions)

UPSIDE-DOWN VIEW (int. dimensions)



INSIDE WALL DIMENSIONS



Coating (Int):
 Coating (Ext):

Seam Up: Tongue
 Seam Dn: n/a

Wall Thickness: 6"
 Floor Height: 8"

Height (Int): 35"
 Height (Ext): 43"

Weight (Net): 5562 lb
 Volume (Net): 1.42cu.yd