

Job Name: 26-1502 ADS Bluegrass Meadows Sec. 7A
Job Location: Mount Washington, KY
Contractor: ADS Advanced Drainage Systems, Inc.

PC: C. Goff
 TECH: S. Felletter
 Plant: Beaver Dam



Structure ID: 2

Spec: Storm-Pipe Centered
 Type: STM.MH
 Size: 96"

Rim: 696.5'
 Invert: 691.85'
 Rim to Invert: 4.65'

Sump: 132"
 Floor (Top): 680.85'
 Floor Height: 8"

Floor (Bot): 680.183'
 Overall Height: 16.25'
 Slack: 0.8"

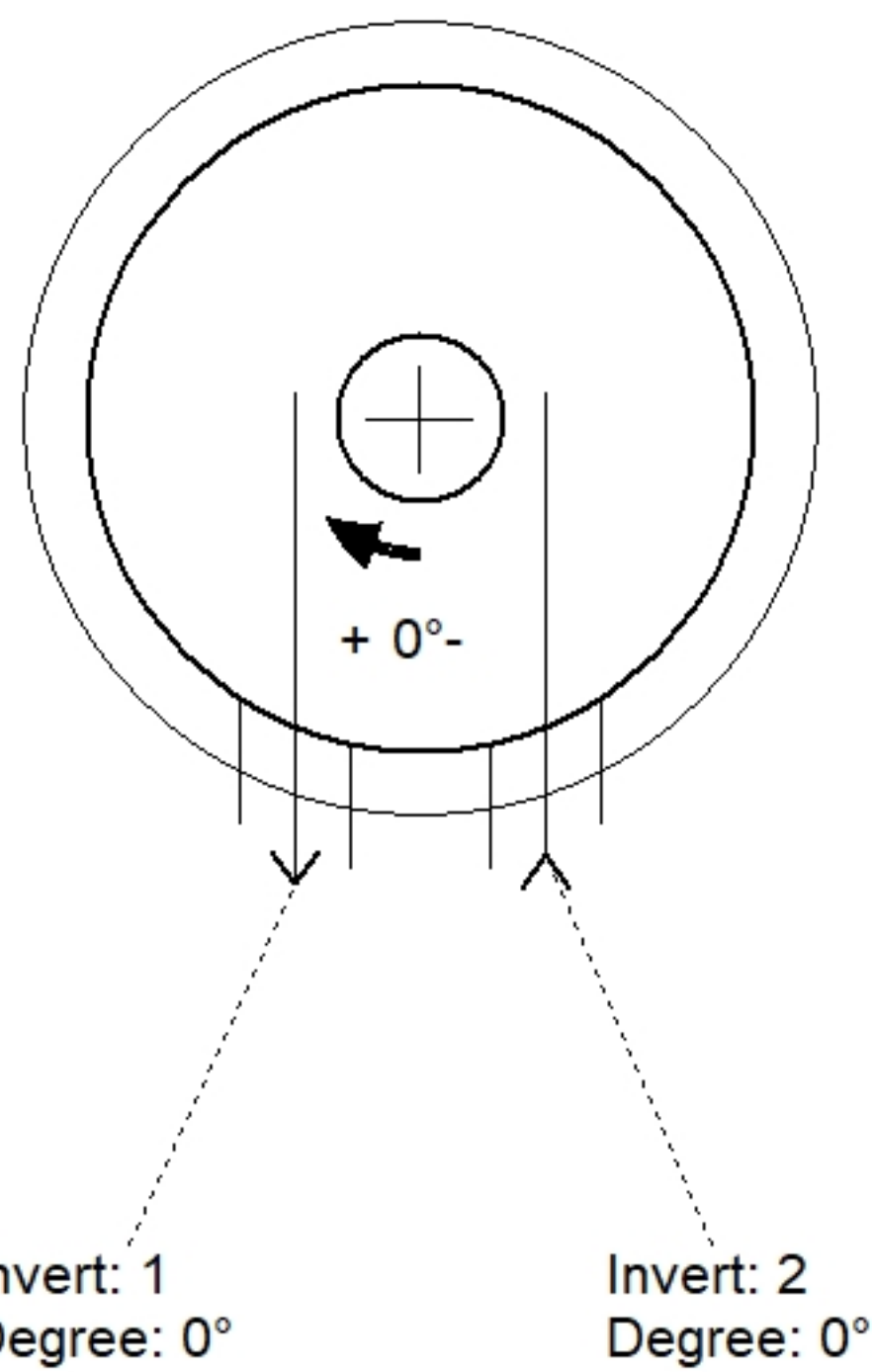
Structure Notes:

- PER ASTM C478 SPECIFICATIONS.
- CONCRETE = 4,000 PSI AT 28 DAYS.
- CASTING BY ICAST (HOE MC-375 F/C "STORM").
- LIFTING ANCHORS TO BE INSTALLED ON THE OUTSIDE OF THE STRUCTURE.
- ASSEMBLY REQUIRED - BRACKETS ONLY.

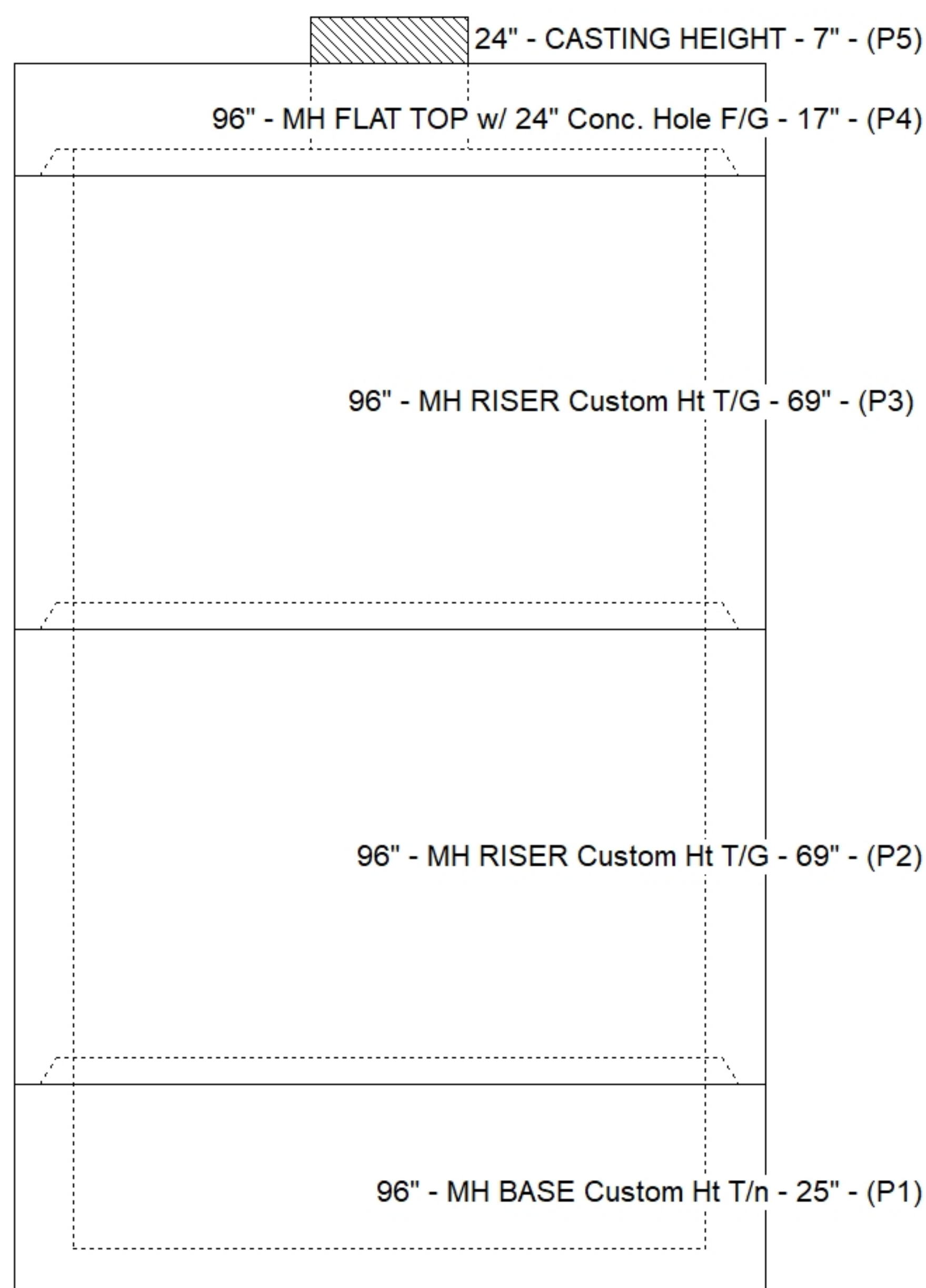
REINFORCING PER ASTM A615 (GRADE 60).
 - TOP SLAB (As .62) #5 BARS AT 6" C.C.E.W.
 - RISER/WALLS (As .24)
 - FLOOR (As .47) #5 BARS AT 8" C.C.E.W.

STRUCTURE SUMMARY:

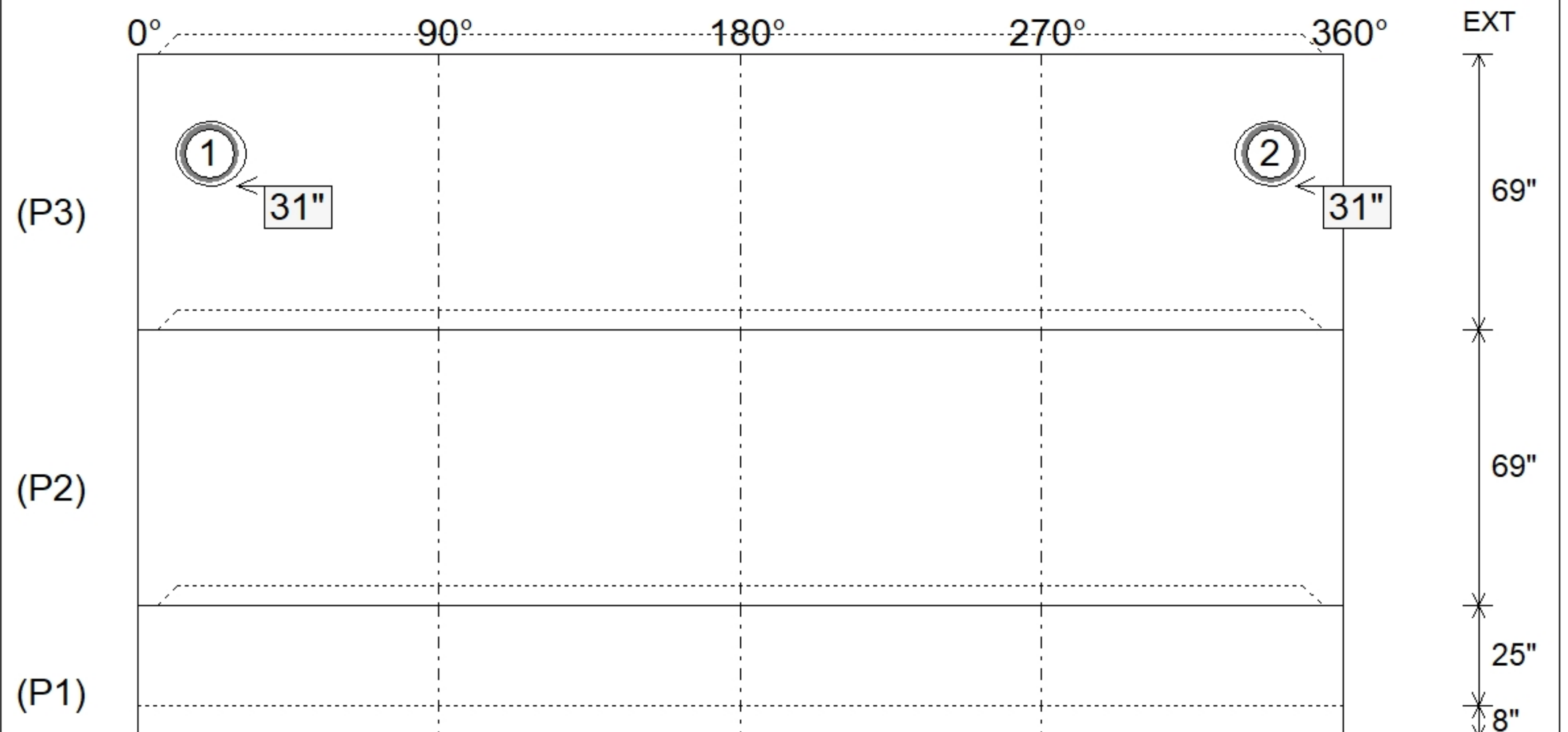
P5) 24" - CASTING HEIGHT - 7"	0 lb
P4) 96" - MH FLAT TOP w/ 24" Conc. Hole F/G - 17"	10473 lb
P3) 96" - MH RISER Custom Ht T/G - 69"	16863 lb
P2) 96" - MH RISER Custom Ht T/G - 69"	17189 lb
P1) 96" - MH BASE Custom Ht T/n - 25"	13080 lb
1) ASSEMBLY REQUIRED - BRACKETS ONLY	0 lb
1) CASTING - HOE MC-375 F/C Storm	271 lb
3) 96" - Conseal CS-102 1.00" (Double)	0 lb
2) Hole - 16	0 lb
Structure Total:	57876 lb



Position	Elev	Angle	Pipe	Pipe OD	Hole	Connector	Up (")	Ref
Rim	696.5'							
Reducer								
Invert 1	691.85'	0°	12" HDPE	14.5"	16"	Hole 16	31"	P3
Invert 2	691.85'	0°	12" HDPE	14.5"	16"	Hole 16	31"	P3
Invert 3								
Invert 4								
Invert 5								
Invert 6								
Invert 7								
Invert 8								



Default - Interior Dimensions



Submittal Drawing
 3/9/2026 2:22:26 PM

SUBMITTAL
 APPROVED BY: