

Job Name: 26-1502 ADS Bluegrass Meadows Sec. 7A
 Job Location: Mount Washington, KY
 Contractor: ADS Advanced Drainage Systems, Inc.

Plant: Beaver Dam
 3/6/2026 1:37:01 PM

Tech: S. Felletter
 PC: C. Goff



Structure ID: 2

P3 MH096RSVF

MH RISER Custom Ht T/G

- P5) 24" - CASTING HEIGHT - 7"
- P4) 96" - MH FLAT TOP w/ 24" Conc. Hole F/G - 17"
- P3) 96" - MH RISER Custom Ht T/G - 69"
- P2) 96" - MH RISER Custom Ht T/G - 69"
- P1) 96" - MH BASE Custom Ht T/n - 25"
- 1) ASSEMBLY REQUIRED - BRACKETS ONLY
- 1) CASTING - HOE MC-375 F/C Storm
- 3) 96" - Conseal CS-102 1.00" (Double)
- 2) Hole - 16

0 lb
 10473 lb
 16863 lb
 17189 lb
 13080 lb
 0 lb
 271 lb
 0 lb
 0 lb

Structure Total: 57876 lb

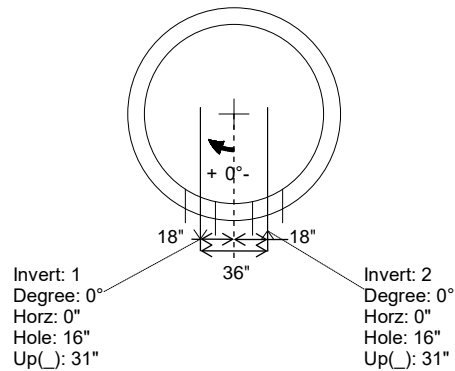
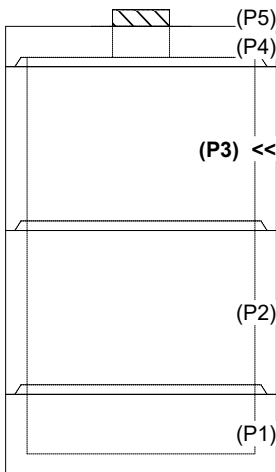
Structure Notes:

1. PER ASTM C478 SPECIFICATIONS.
 2. CONCRETE = 4,000 PSI AT 28 DAYS.
 3. CASTING BY ICAST (HOE MC-375 F/C "STORM").
 4. LIFTING ANCHORS TO BE INSTALLED ON THE OUTSIDE OF THE STRUCTURE.
 5. ASSEMBLY REQUIRED - BRACKETS ONLY.
- REINFORCING PER ASTM A615 (GRADE 60).
 - TOP SLAB (As .62) #5 BARS AT 6" C.C.E.W.
 - RISER/WALLS (As .24)
 - FLOOR (As .47) #5 BARS AT 8" C.C.E.W.

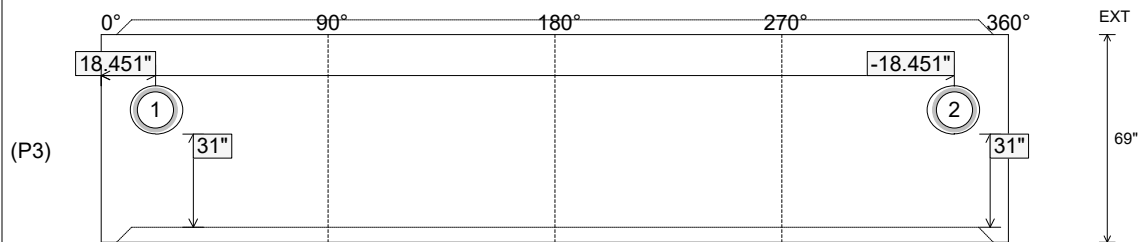
Rim: 696.5' Rim to Invert: 4.65' Slack: 0.8" Sump: 132" Step Position:

Position	Elev	Angle	Ext. (cw)	Pipe	Pipe OD	Connector	Hole	Horz Size	Up ()	Offset
Invert 1	691.85'	0°	18.313"	12" HDPE	14.5"	Hole 16	16"	17.402"	31"	18"
Invert 2	691.85'	0°	-18.313"	12" HDPE	14.5"	Hole 16	16"	17.402"	31"	-18"
Invert 3										
Invert 4										
Invert 5										
Invert 6										
Invert 7										
Invert 8										

RIGHT-SIDE UP VIEW (int. dimensions)



INSIDE WALL DIMENSIONS



Coating (Int):
 Coating (Ext):

Seam Up: Tongue
 Seam Dn: Groove

Wall Thickness: 9"
 Floor Height: 0"

Height (Int): 69"
 Height (Ext): 69"

Weight (Net): 16863 lb
 Volume (Net): 4.31cu.yd