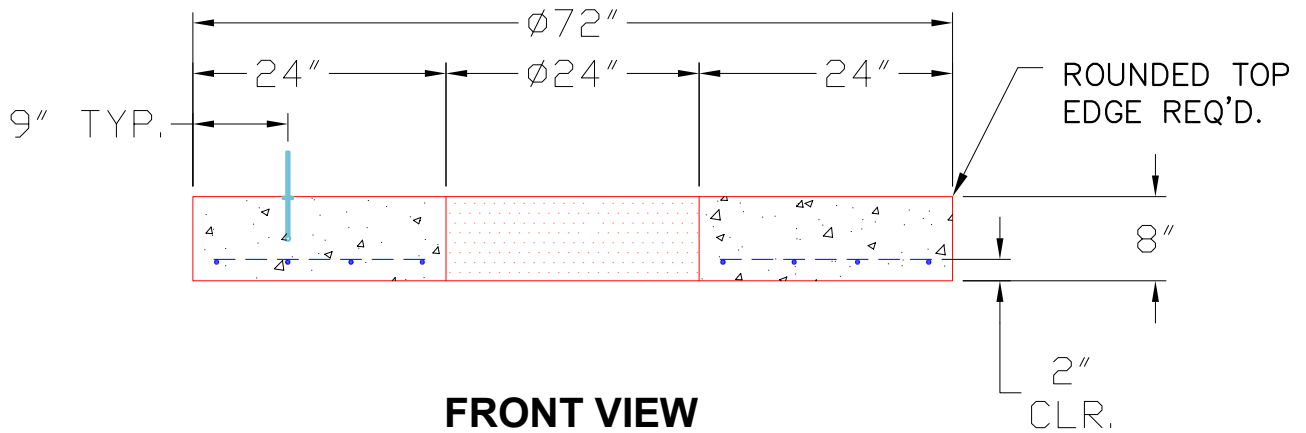
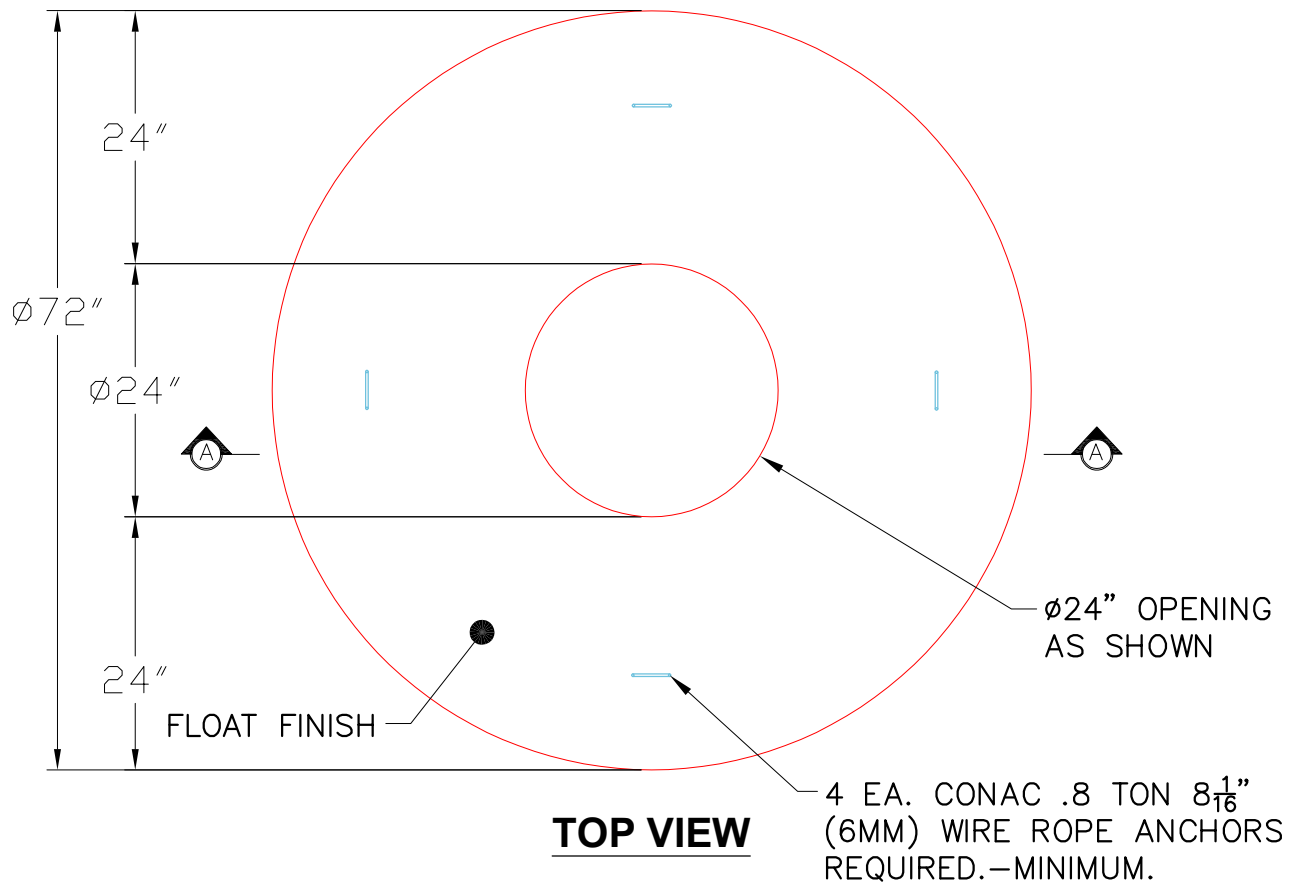


THIS DRAWING IS INTENDED TO BE PRINTED IN COLOR.



NOTES:

1. MANUFACTURED TO ASTM C-478 (LATEST REVISION).
2. CONCRETE: 5,000 PSI AT 28 DAYS.
3. REINFORCING: #4 BAR @ 9" O.C. E.W. (GRADE 60).

PRODUCTION WORK ORDER		PRODUCT I.D.: MH060LD08CC	DESCRIPTION: 60"ø X 8" MH TOP SLAB W/ ø24" CONCENTRIC OPENING	
	QUALITY CONTROL CHECKLIST		PRODUCT VIEW: RIGHT SIDE UP	
	<input type="checkbox"/> ALL DIMENSIONS CORRECT.		CUSTOMER: ADS ADVANCED DRAINAGE SYSTEMS, INC.	
	<input type="checkbox"/> LIFTERS INSTALLED.		PROJECT: ADS LIFT CENTER	
	<input type="checkbox"/> HOLE LOCATION CORRECT.		STRUCTURE: 2 TOP SLAB-2	
	<input type="checkbox"/> REINFORCING CORRECT.		QUOTE/SALES ORDER NO: 26-1480	
	<input type="checkbox"/> FINISH ON SLAB SURFACE UNIFORM.		PC: C. GOFF	
<input type="checkbox"/> OUTSIDE TOP EDGE TROWELLED.		DRAWING: S. FELLETTA		
<input type="checkbox"/> FLAT BOTTOM.		QC CHECK INITIALS:		
		DATE: 03/05/26	SCALE: NTS	PG. 1 of 1