

Job Name: 26-1480 ADS Lift Center
Job Location: Charleston, WV
Contractor: ADS Advanced Drainage Systems, Inc.

PC: C. Goff
 TECH: S. Felletter
 Plant: Beaver Dam



Structure ID: **2 Top Slab-1**
 Spec: Storm-Pipe Centered
 Type: STM.MH
 Size: 60"

Rim: 1.25'
 Invert: 1.25'
 Rim to Invert: 0'

Sump: 0"
 Floor (Top): 0"
 Floor Height: 0"

Floor (Bot): 0'
 Overall Height: 1.25'
 Slack: 0"

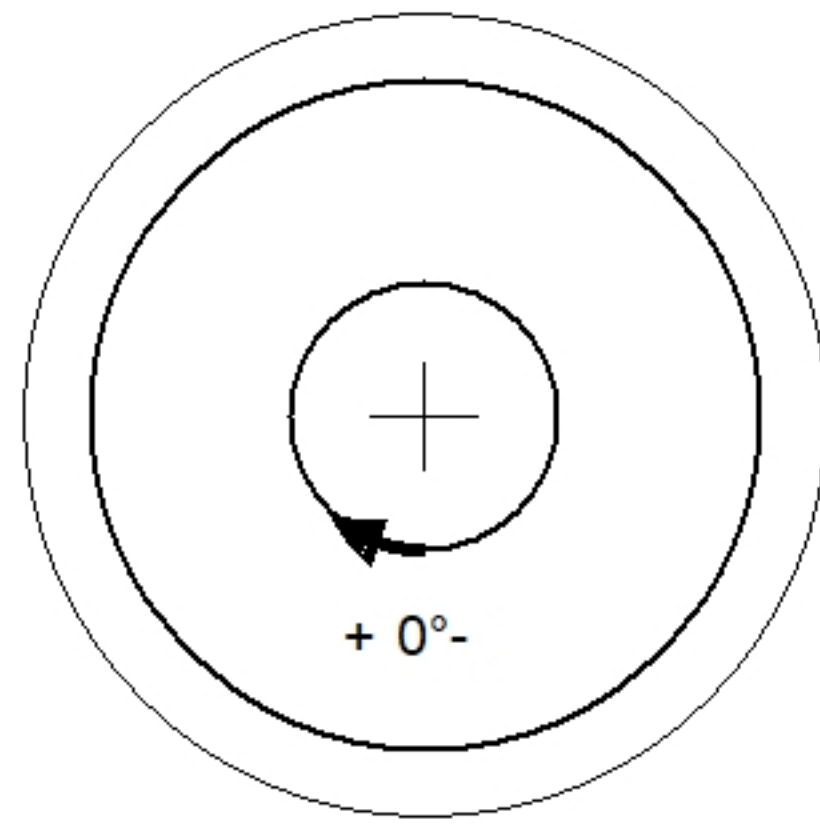
Structure Notes:

1. PER ASTM C478 SPECIFICATIONS.
2. CONCRETE = 4,000 PSI AT 28 DAYS.
3. NO INVERT CHANNEL.
4. CASTING BY ICAST (HOE MC-375 "STORM").

STRUCTURE SUMMARY:

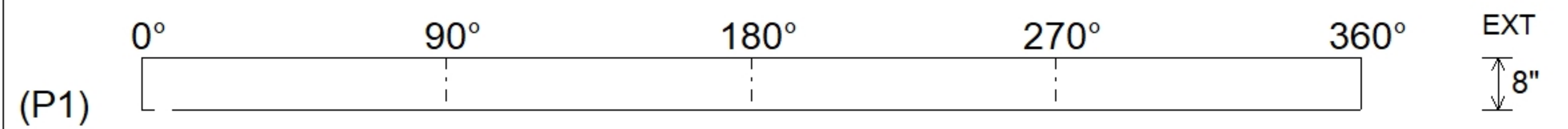
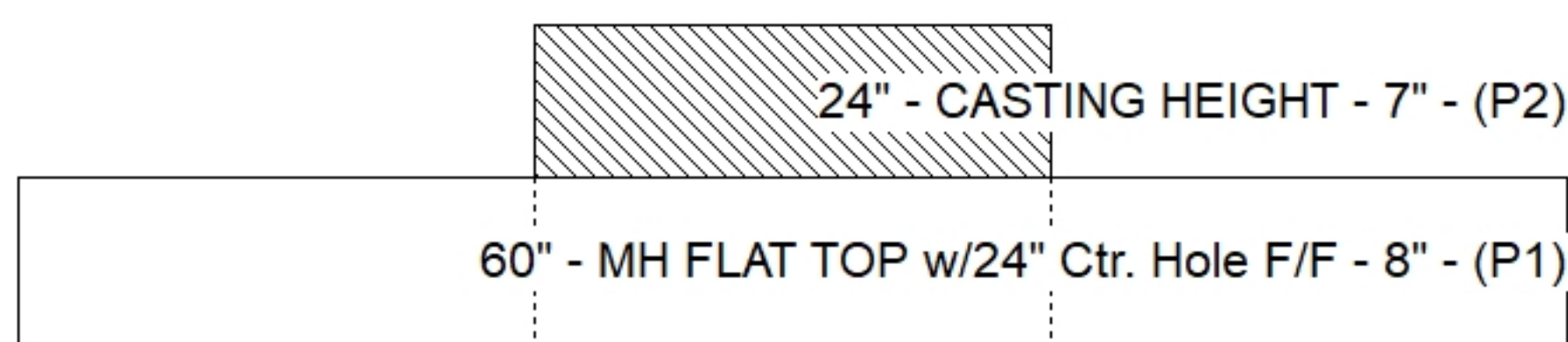
P2) 24" - CASTING HEIGHT - 7" 0 lb
 P1) 60" - MH FLAT TOP w/24" Ctr. Hole F/F - 8" 2429 lb
 1) CASTING - HOE MC-375 F/C Storm 271 lb

 Structure Total: 2700 lb



Position	Elev	Angle	Pipe	Pipe OD	Hole	Connector	Up ()	Ref
Rim	1.25'							
Reducer								
Invert 1								
Invert 2								
Invert 3								
Invert 4								
Invert 5								
Invert 6								
Invert 7								
Invert 8								

Default - Interior Dimensions



Submittal Drawing
 3/6/2026 9:35:53 AM

SUBMITTAL
 APPROVED BY: