

Job Name: 26-1479 ADS Fomoco Lap 30K SF Bldg
Job Location: Louisville, KY
Contractor: ADS Advanced Drainage Systems, Inc.

PC: C. Goff
 TECH: S. Felletter
 Plant: Beaver Dam



Structure ID: **STM-2-2**
 Spec: Storm-Pipe Centered
 Type: STM.MH
 Size: 72"

Rim: 455.26'
 Invert: 449.71'
 Rim to Invert: 5.55'

Sump: 81"
 Floor (Top): 442.96'
 Floor Height: 8"

Floor (Bot): 442.293'
 Overall Height: 12.833'
 Slack: 1.6"

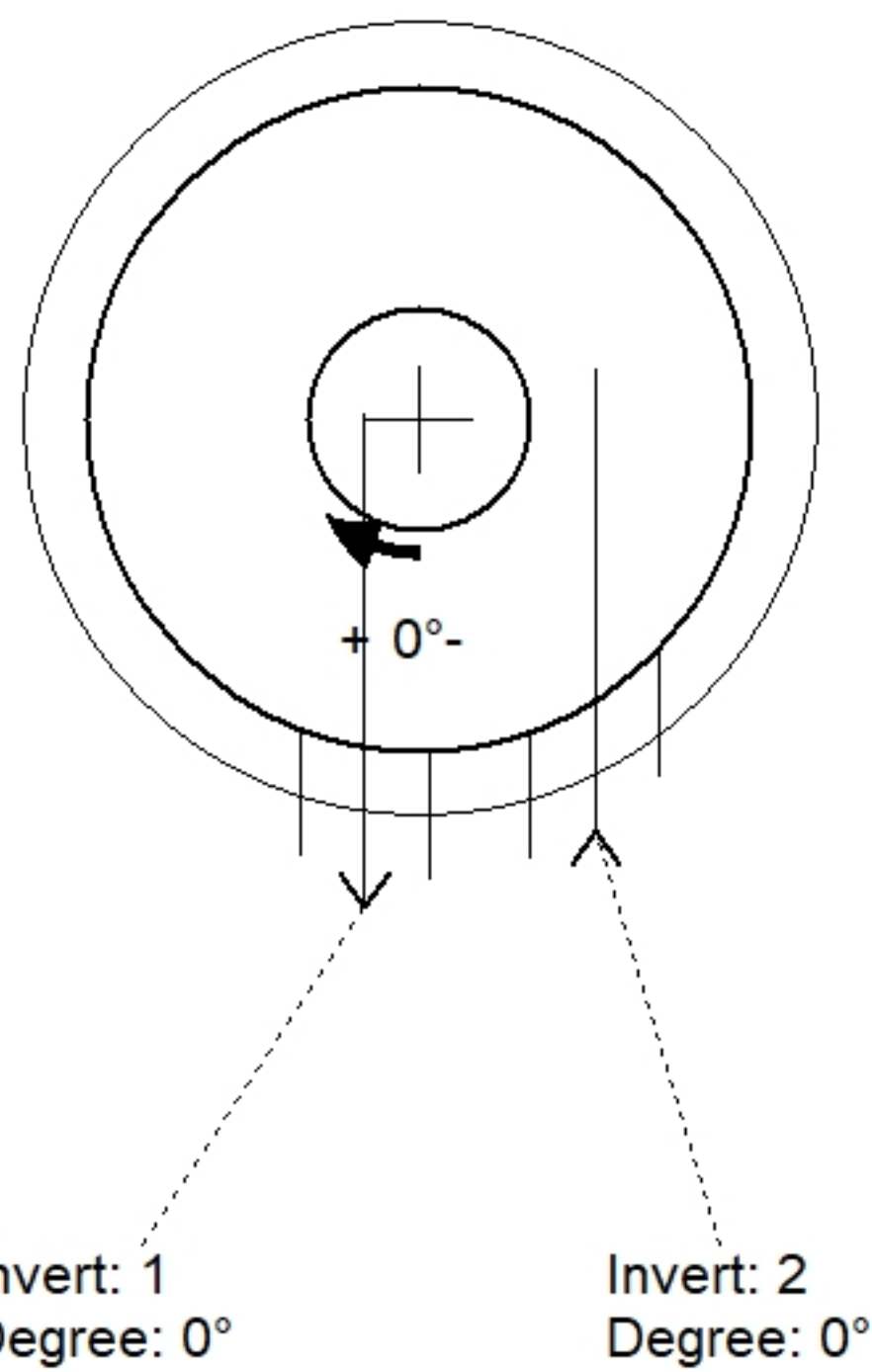
Structure Notes:

1. PER ASTM C478 SPECIFICATIONS.
2. CONCRETE = 4,000 PSI AT 28 DAYS.
3. CASTING BY ICAST (HOE MC-375 "STORM").
4. ASSEMBLY REQUIRED.
5. P2 & P3 RISERS TO BE MECHANICALLY ATTACHED BEFORE INTERNAL INSTALLATION/DELIVERY.
6. LIFTING ANCHORS TO BE INSTALLED ON THE OUTSIDE OF THE STRUCTURE.

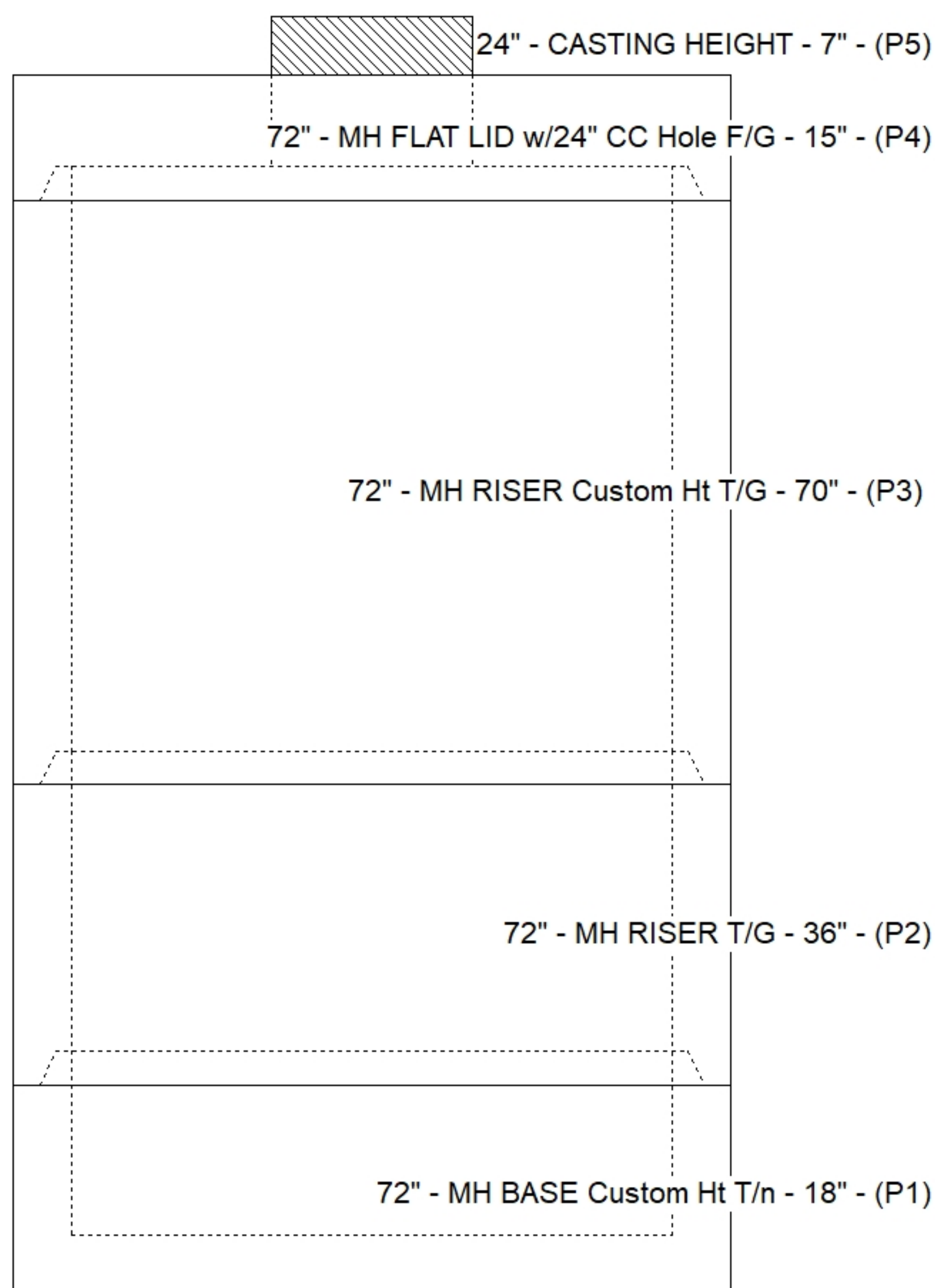
REINFORCING PER ASTM A615 (GRADE 60).
 - TOP SLAB (As .62) #5 BARS AT 6" C.C.E.W..
 - RISER/WALLS (As .12)
 - FLOOR (As .31) #5 BARS AT 12" C.C.E.W.

STRUCTURE SUMMARY:

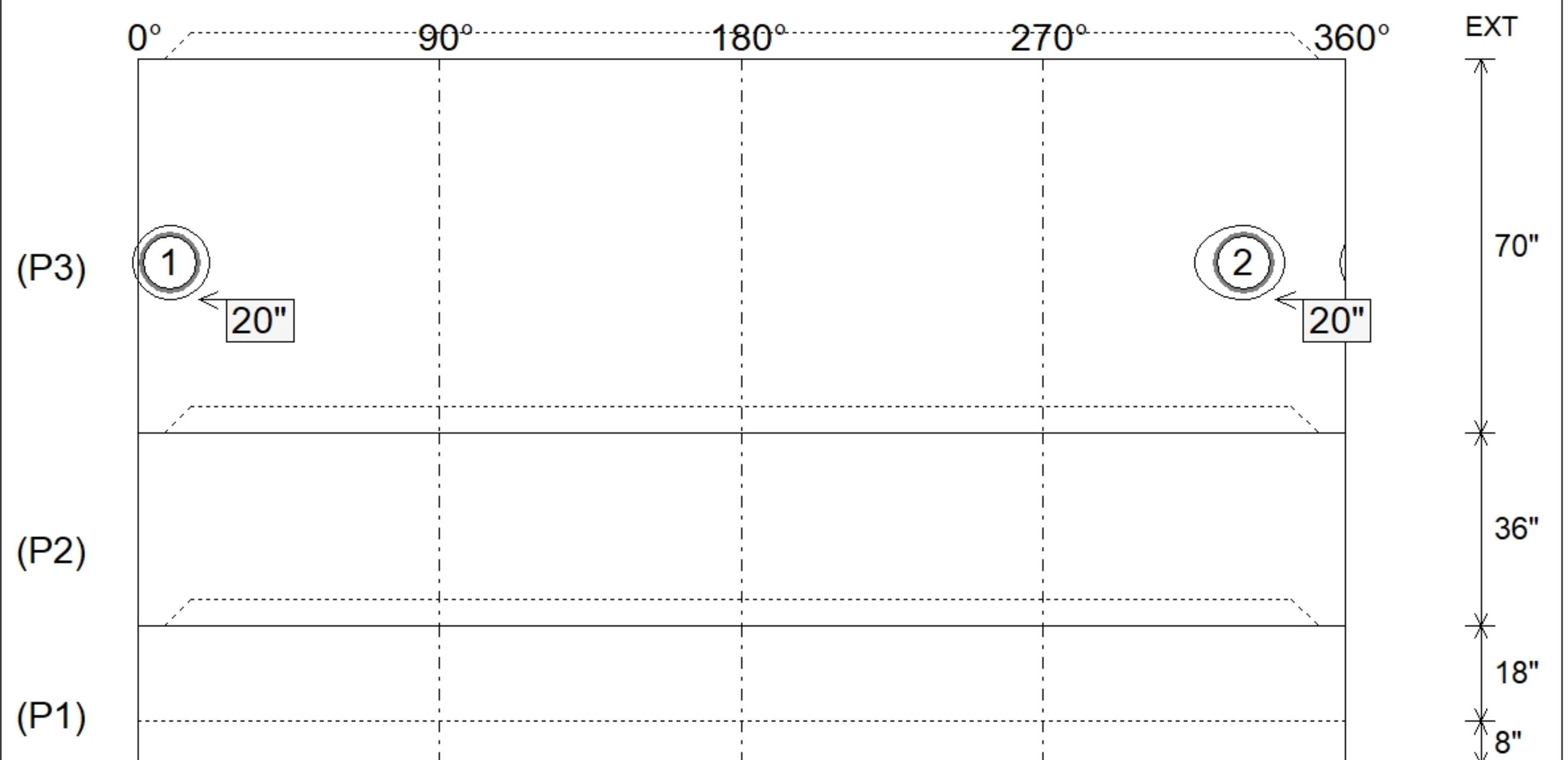
P5) 24" - CASTING HEIGHT - 7"	0 lb
P4) 72" - MH FLAT LID w/24" CC Hole F/G - 15"	5097 lb
P3) 72" - MH RISER Custom Ht T/G - 70"	10007 lb
P2) 72" - MH RISER T/G - 36"	5248 lb
P1) 72" - MH BASE Custom Ht T/n - 18"	6523 lb
1) ASSEMBLY REQUIRED	0 lb
1) CASTING - HOE MC-375 F/C Storm	271 lb
3) 72" - Conseal CS-102 1.00" (Double)	0 lb
2) Hole - 14	0 lb
Structure Total:	27147 lb



Position	Elev	Angle	Pipe	Pipe OD	Hole	Connector	Up (")	Ref
Rim	455.26'							
Reducer								
Invert 1	449.71'	0°	10" HDPE	11.4"	14"	Hole 14	20"	P3
Invert 2	449.71'	0°	10" HDPE	11.4"	14"	Hole 14	20"	P3
Invert 3								
Invert 4								
Invert 5								
Invert 6								
Invert 7								
Invert 8								



Default - Interior Dimensions



Submittal Drawing
 3/9/2026 8:53:19 AM

SUBMITTAL
 APPROVED BY: