

**Structure ID: STM-2-2**

**P1 MH072BAVF**

**MH BASE Custom Ht T/n**

P5) 24" - CASTING HEIGHT - 7" P4) 72" - MH FLAT LID w/24" CC Hole F/G - 15" P3) 72" - MH RISER Custom Ht T/G - 70" P2) 72" - MH RISER T/G - 36" P1) 72" - MH BASE Custom Ht T/n - 18" 1) ASSEMBLY REQUIRED 1) CASTING - HOE MC-375 F/C Storm 3) 72" - Conseal CS-102 1.00" (Double) 2) Hole - 14	0 lb 5097 lb 10007 lb 5248 lb 6523 lb 0 lb 271 lb 0 lb 0 lb ----- 27147 lb	<b>Structure Notes:</b> 1. PER ASTM C478 SPECIFICATIONS. 2. CONCRETE = 4,000 PSI AT 28 DAYS. 3. CASTING BY ICAST (HOE MC-375 "STORM"). 4. ASSEMBLY REQUIRED. 5. P2 & P3 RISERS TO BE MECHANICALLY ATTACHED BEFORE INTERNAL INSTALLATION/DELIVERY. 6. LIFTING ANCHORS TO BE INSTALLED ON THE OUTSIDE OF THE STRUCTURE.  REINFORCING PER ASTM A615 (GRADE 60). - TOP SLAB (As .62) #5 BARS AT 6" C.C.E.W.. - RISER/WALLS (As .12) - FLOOR (As .31) #5 BARS AT 12" C.C.E.W.
--	--	---

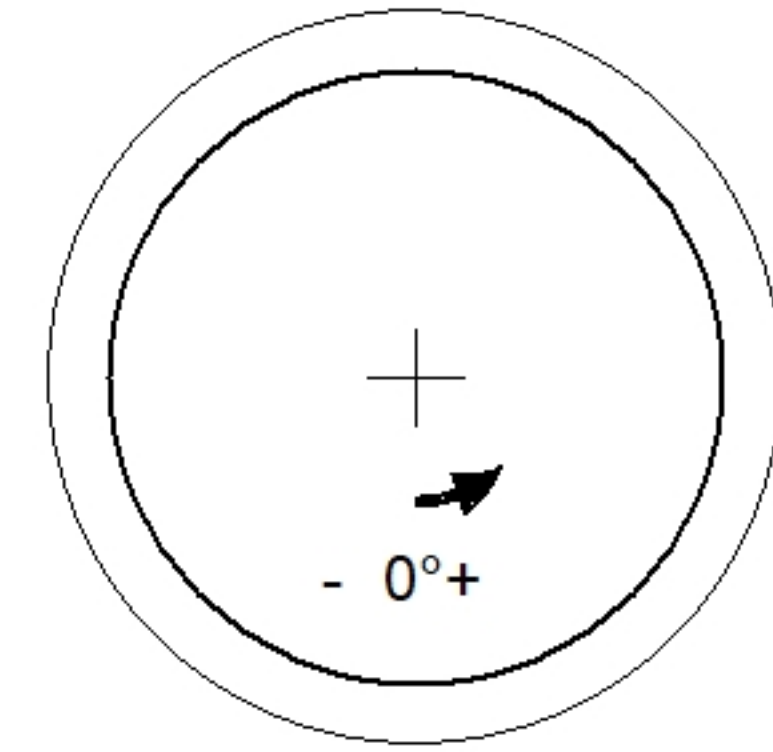
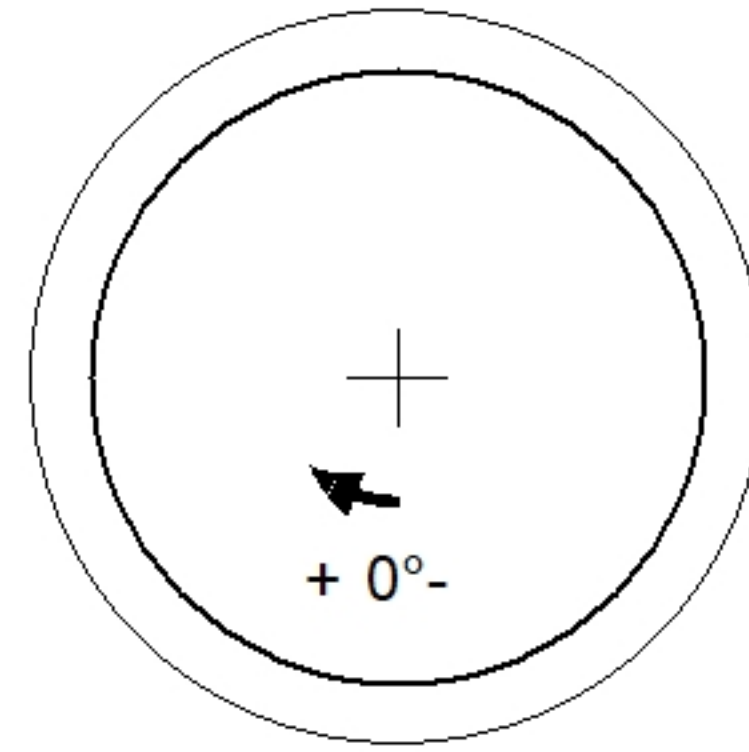
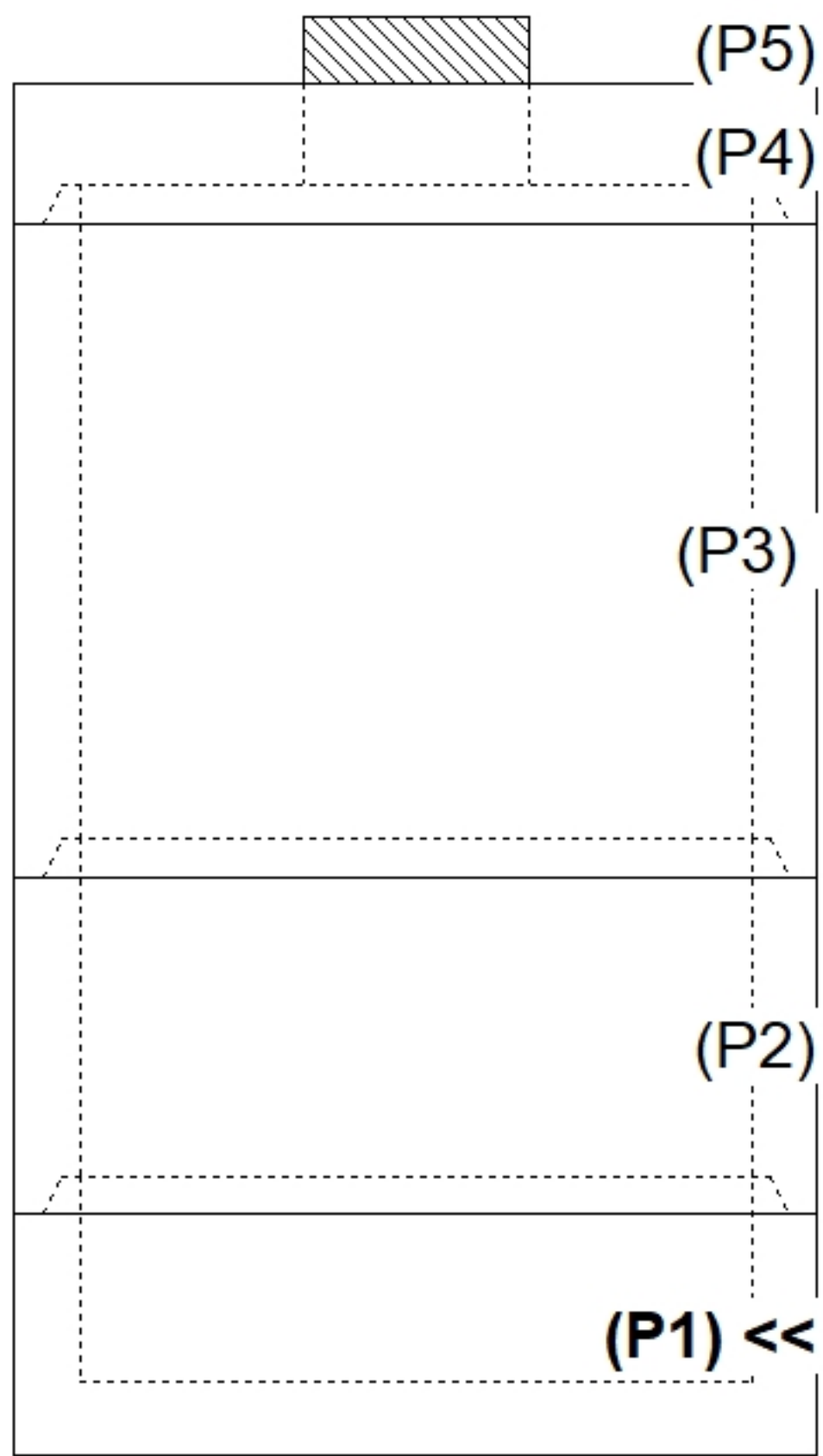
Structure Total: 27147 lb

Rim: 455.26'    Rim to Invert: 5.55'    Slack: 1.6"    Sump: 81"    Step Position:

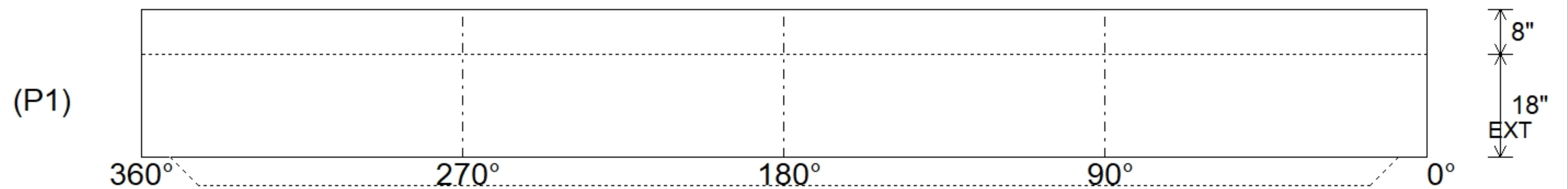
Position	Elev	Angle	Ext. (cw)	Pipe	Pipe OD	Connector	Hole	Horz Size	Up (L)	Offset
Invert 1										
Invert 2										
Invert 3										
Invert 4										
Invert 5										
Invert 6										
Invert 7										
Invert 8										

RIGHT-SIDE UP VIEW (int. dimensions)

UPSIDE-DOWN VIEW (int. dimensions)



INSIDE WALL DIMENSIONS



Coating (Int):	Seam Up: Tongue Seam Dn: n/a	Wall Thickness: 7" Floor Height: 8"	Height (Int): 18" Height (Ext): 26"
Coating (Ext):			Weight (Net): 6523 lb Volume (Net): 1.67cu.yd