

Job Name: 26-1465 - North Middle School Vault
Job Location: Radcliff, KY 40160
Contractor: Hardin County Water District No. 1

PC: A. Wells
 TECH: J. Coppage
 Plant: Beaver Dam, KY



Structure ID: 2

Spec: Sanitary
 Type: Meter Vault 6inW, 6inF
 Size: 204" x 84"

Rim: 5.667'
 Invert: 1.333'
 Rim to Invert: 4.334'

Sump: 16"
 Floor (Top): 0'
 Floor Height: 6"

Floor (Bot): -0.5'
 Overall Height: 6.167'
 Slack: 0"

Structure Notes:

- PER ASTM C-913 SPECIFICATIONS
- CONCRETE: 4,500 PSI AT 28 DAYS
- REINFORCEMENT:
 - FLAT LID: #5 BAR @ 6" C.C. E.W. (GRADE 60)
 - RISER: #5 BAR @ 6" C.C. E.W. (GRADE 60)
 - BASE SLAB: #5 BAR @ 8" C.C. E.W. (GRADE 60)
- NO STEPS
- HALLIDAY W1S 30" X 30" HATCH SUPPLIED BY ICAST - TO BE CAST INTO FLAT LID

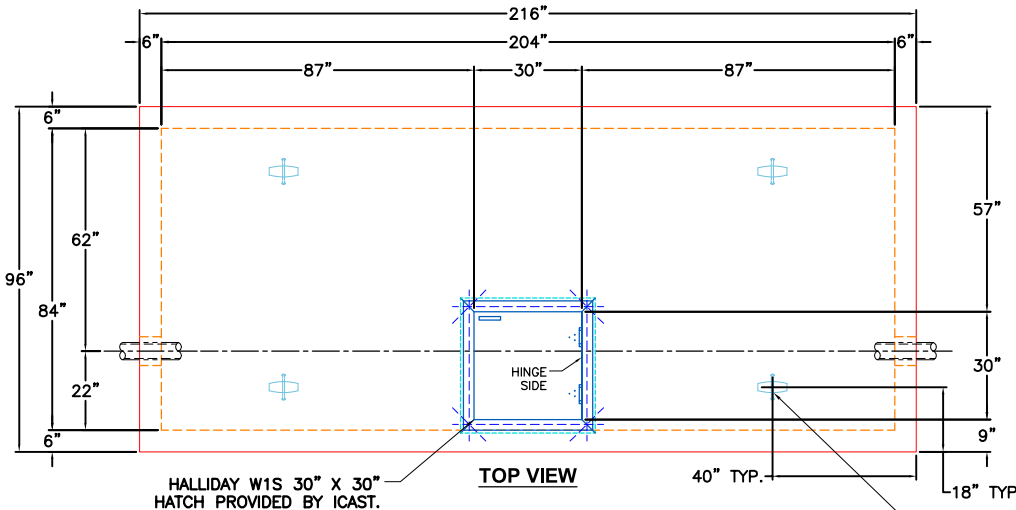
STRUCTURE SUMMARY:

P4) 30" x 30" - HATCH (CAST FLUSH) - 3"	0 lb
P3) 204" x 84" - BX FLAT LID 6inW w/30"x30" Hatch F/F - 8"	13378 lb
P2) 204" x 84" - BOX RISER 6inW, Variable Ht F/F - 60"	18074 lb
P1) 204" x 84" - BX Separate Base Slab (96IN X 216IN OD) F/n - 6"	10440 lb
1) HATCH (Alum.) - HALLIDAY W1S 30"x30"	62 lb
1) This Structure Includes a Cast-in Item - Halliday W1S 30" x 30" Hatch (Supplied by iCast)	0 lb
2) 204" x 84" - Conseal CS-102 1.00"	0 lb
1) 30" x 30" - Conseal CS-102 1.00"	0 lb
2) Hole - 8"	0 lb

Structure Total:	41954 lb

GENERAL NOTES:

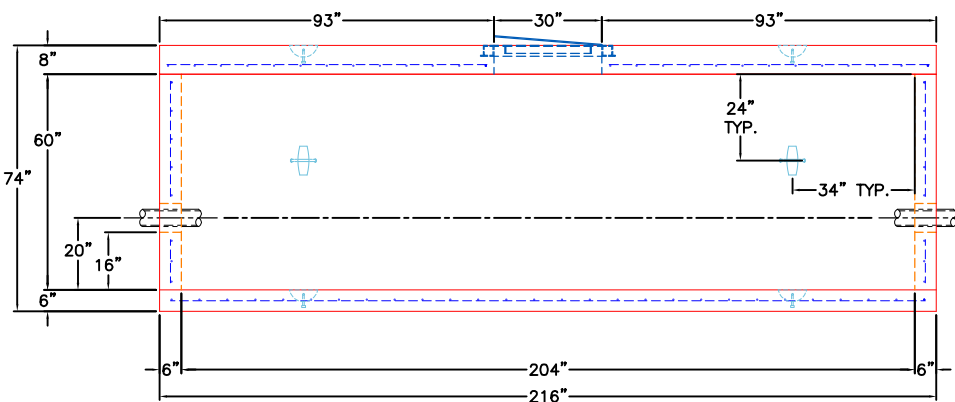
- MANUFACTURED TO ASTM C-913 (LATEST REVISION).
- CONCRETE: 4,500 PSI AT 28 DAYS.
- REINFORCING: PER ASTM A615 (GRADE 60).
- HATCH: HALLIDAY W1S 30" X 30" HATCH PROVIDED BY ICAST.
- HATCH TO BE CAST INTO TOP OF LID.



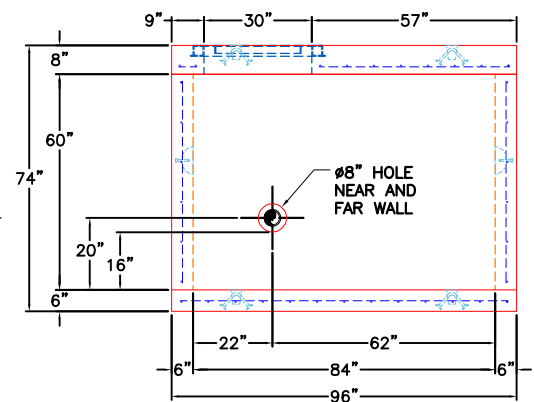
HALLIDAY W1S 30" X 30" HATCH PROVIDED BY ICAST.

TOP VIEW

4 EA. CONAC 5CA18 ANCHORS CAST IN EACH SECTION AS SHOWN FOR PLANT & FIELD HANDLING.



FRONT VIEW



RIGHT VIEW

Submittal Drawing
 4/20/2026 2:49:10 PM

SUBMITTAL
 APPROVED BY: