

Job Name: 26-1465 - North Middle School Vault
 Job Location: Radcliff, KY 40160
 Contractor: Hardin County Water District No. 1

Plant: Beaver Dam, KY
 4/20/2026 2:54:08 PM

Tech: J. Coppage
 PC: A. Wells



Structure ID: 2

P2 BX084204-06RSVF

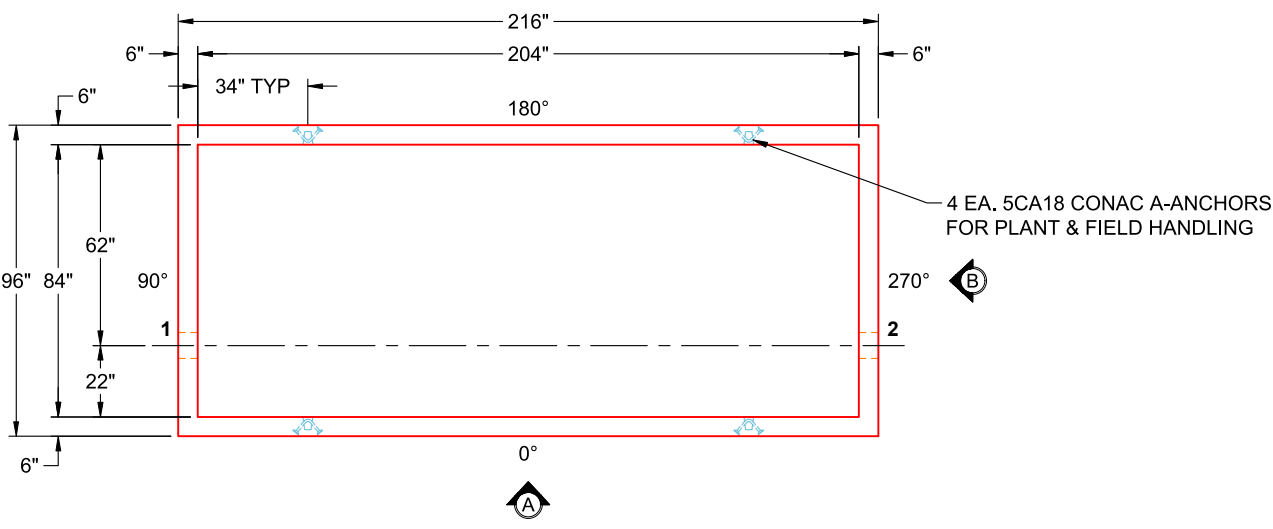
BOX RISER 6inW, Variable Ht F/F

P4) 30" x 30" - HATCH (CAST FLUSH) - 3"	0 lb
P3) 204" x 84" - BX FLAT LID 6inW w/30"x30" Hatch F/F - 8"	13378 lb
P2) 204" x 84" - BOX RISER 6inW, Variable Ht F/F - 60"	18074 lb
P1) 204" x 84" - BX Separate Base Slab (96IN X 216IN OD) F/n - 6"	10440 lb
1) HATCH (Alum.) - HALLIDAY W1S 30"x30"	62 lb
1) This Structure Includes a Cast-in Item - Halliday W1S 30" x 30" Hatch (Supplied by iCast)	0 lb
2) 204" x 84" - Conseal CS-102 1.00"	0 lb
1) 30" x 30" - Conseal CS-102 1.00"	0 lb
2) Hole - 8	0 lb
Structure Total:	41954 lb

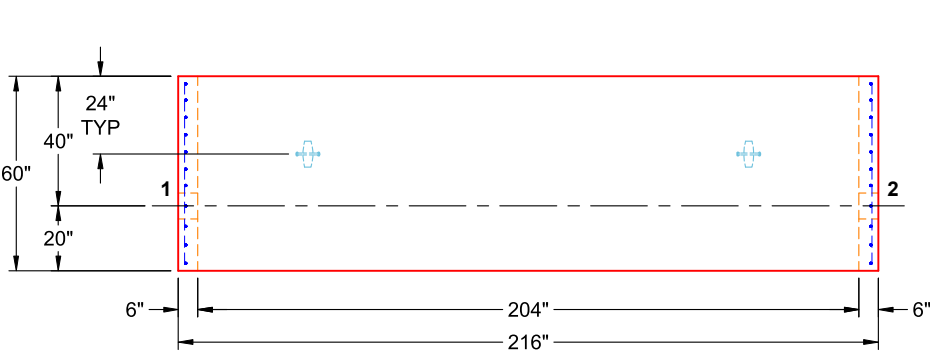
Structure Notes:
 1. PER ASTM C-913 SPECIFICATIONS
 2. CONCRETE: 4,500 PSI AT 28 DAYS
 3. REINFORCEMENT: #5 BAR @ 6" C.C. E.W. (GRADE 60) - 2" MIN. REBAR CLEARANCE (TYP)
 4. NO STEPS
 5. LIFTERS: 4 EA. 5CA18 CONAC A-ANCHORS FOR PLANT & FIELD HANDLING - INSTALLED AS SHOWN

Rim: 5.667' Rim to Invert: 4.334' Slack: 0" Sump: 16" Step Position:

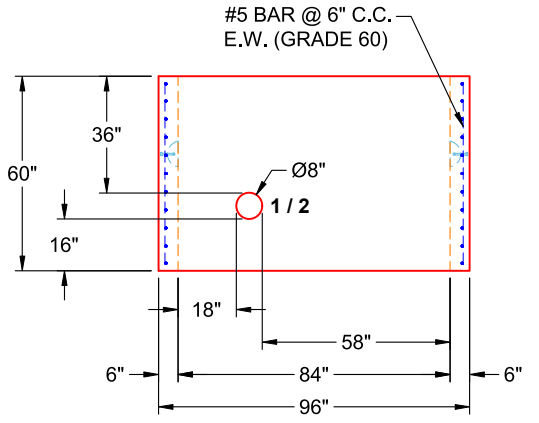
Position	Elev	Angle	Ext. (cw)	Pipe	Pipe OD	Connector	Hole	Horz Size	Up (L)	Offset
Invert 1	1.333'	90°	28"	8" Hole	8"	Hole 8	8"	8"	16"	-20"
Invert 2	1.333'	270°	68"	8" Hole	8"	Hole 8	8"	8"	16"	20"
Invert 3										



**PLAN VIEW
(RIGHT SIDE UP)**



**VIEW A
(RIGHT SIDE UP)**



**VIEW B
(RIGHT SIDE UP)**

Coating (Int): Coating (Ext):	Seam Up: Flat Seam Dn: Flat	Wall Thickness: 6" Floor Height: 0"	Height (Int): 60" Height (Ext): 60"	Weight (Net): 18074 lb Volume (Net): 4.62cu.yd
----------------------------------	--------------------------------	--	--	---