

Job Name: 26-1453 Clarksville, TN SPC13A
 Job Location: Clarksville, TN
 Contractor: Cleary Construction, Inc.

Plant: Beaver Dam

Tech: J. Coppage

4/7/2026 10:37:23 AM

PC: C. Goff



Structure ID: SS-MH-005

P1 MH048BAVFCDARED

MH BASE Custom Ht, w/ConBlock-CDA Red

- P3) 24" - CASTING HEIGHT - 6"
- P2) 48" - ECC CONE w/ 24" HOLE, w/ConBlock-CDA Red - 24"
- P1) 48" - MH BASE Custom Ht, w/ConBlock-CDA Red - 28"
- 1) JOINT WRAP - 0.065"x6"x50' CONSEAL CS212
- 1) JOINT WRAP PRIMER - CONSEAL CS-75 (1 gal.)
- 1) 48" - MH INVERT CHANNEL w/ConBlock-CDA Red - FULL HEIGHT
- 1) 48" - Conseal CS-102 1.00" (Double)
- 2) A-Lok - 0285
- 4) MH Step ML-10-TDS-NCR - 10"

- Structure Notes:**
1. JBS-1155 SANITARY PROVIDED BY ICAST.
 2. PER ASTM C478 SPECIFICATIONS.
 3. CONCRETE = 4,000 PSI AT 28 DAYS.
 4. REINFORCING PER ASTM A615 (GRADE 60).
 - CONE (As .12)
 - RISER/WALLS (As .12)
 - FLOOR (As .31) #5 BARS AT 12" C.C.E.W.

Structure Total: 6403 lb

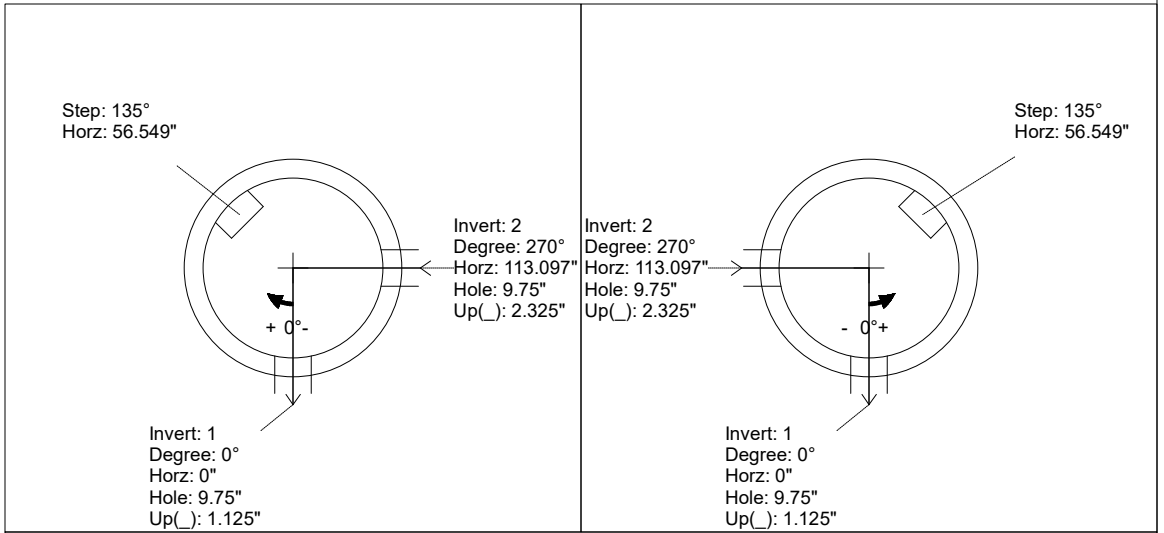
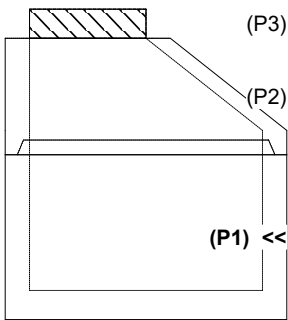
****USE PREVIOUSLY PRODUCED
 BASE FROM DELETED STRUCTURE
 SS-MH-006****

Rim: 543.97' Rim to Invert: 4.71' Slack: 0.52" Sump: 2" Step Position: 135°

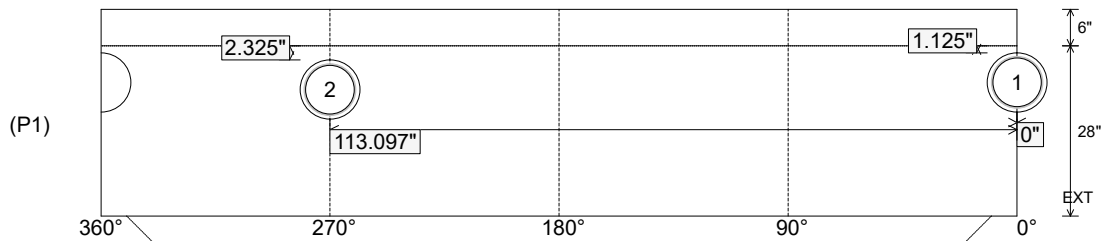
Position	Elev	Angle	Ext. (cw)	Pipe	Pipe OD	Connector	Hole	Horz Size	Up ()	Offset
Invert 1	539.26'	0°	0"	8" PVC SDR26	8.5"	A-Lok 0285	9.75"	9.818"	1.125"	0"
Invert 2	539.36'	270°	136.659"	8" PVC SDR26	8.5"	A-Lok 0285	9.75"	9.818"	2.325"	0"
Invert 3										
Invert 4										
Invert 5										
Invert 6										
Invert 7										
Invert 8										

RIGHT-SIDE UP VIEW (int. dimensions)

UPSIDE-DOWN VIEW (int. dimensions)



INSIDE WALL DIMENSIONS



Coating (Int):
 Coating (Ext):

Seam Up: Tongue
 Seam Dn: n/a

Wall Thickness: 5"
 Floor Height: 6"

Height (Int): 28"
 Height (Ext): 34"

Weight (Net): 3223 lb
 Volume (Net): 0.82cu.yd

Job Name: 26-1453 Clarksville, TN SPC13A
 Job Location: Clarksville, TN
 Contractor: Cleary Construction, Inc.

Plant: Beaver Dam

Tech: J. Coppage

4/7/2026 10:37:23 AM

PC: C. Goff



Structure ID: SS-MH-005

P1 MH048BAVFCDARED

MH BASE Custom Ht, w/ConBlock-CDA Red

- P3) 24" - CASTING HEIGHT - 6"
- P2) 48" - ECC CONE w/ 24" HOLE, w/ConBlock-CDA Red - 24"
- P1) 48" - MH BASE Custom Ht, w/ConBlock-CDA Red - 28"
- 1) JOINT WRAP - 0.065"x6"x50' CONSEAL CS212
- 1) JOINT WRAP PRIMER - CONSEAL CS-75 (1 gal.)
- 1) 48" - MH INVERT CHANNEL w/ConBlock-CDA Red - FULL HEIGHT
- 1) 48" - Conseal CS-102 1.00" (Double)
- 2) A-Lok - 0285
- 4) MH Step ML-10-TDS-NCR - 10"

- Structure Notes:**
1. JBS-1155 SANITARY PROVIDED BY ICAST.
 2. PER ASTM C478 SPECIFICATIONS.
 3. CONCRETE = 4,000 PSI AT 28 DAYS.
 4. REINFORCING PER ASTM A615 (GRADE 60).
 - CONE (As .12)
 - RISER/WALLS (As .12)
 - FLOOR (As .31) #5 BARS AT 12" C.C.E.W.

Structure Total: 6403 lb

****USE PREVIOUSLY PRODUCED
 BASE FROM DELETED STRUCTURE
 SS-MH-006****

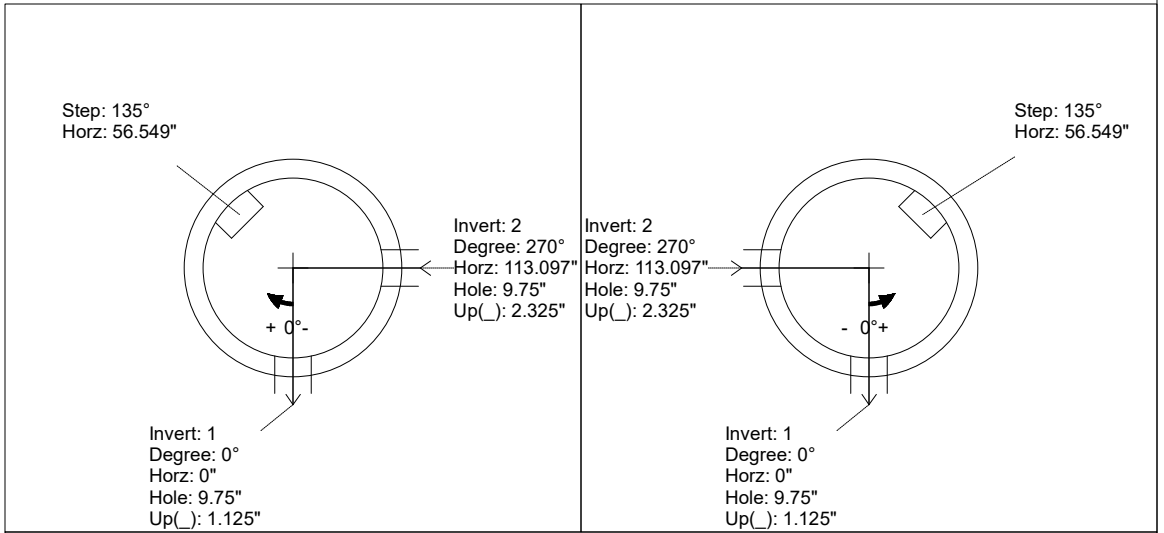
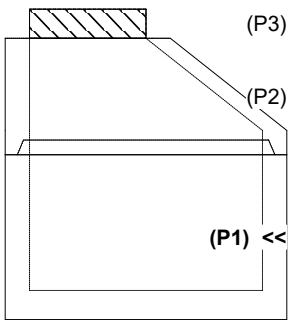
**INVERT CHANNEL DRAWING
 FULL HEIGHT INVERT**

Rim: 543.97' Rim to Invert: 4.71' Slack: 0.52" Sump: 2" Step Position: 135°

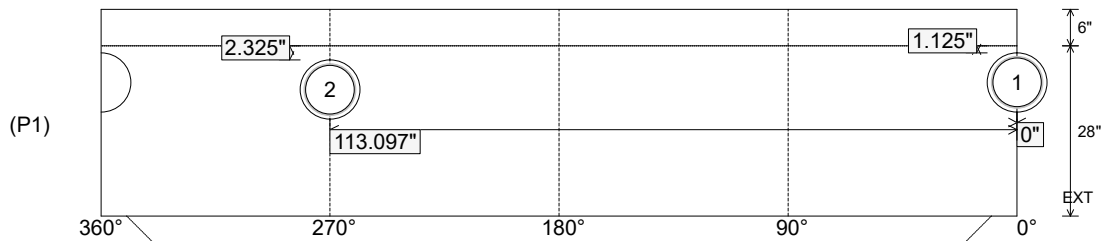
Position	Elev	Angle	Ext. (cw)	Pipe	Pipe OD	Connector	Hole	Horz Size	Up ()	Offset
Invert 1	539.26'	0°	0"	8" PVC SDR26	8.5"	A-Lok 0285	9.75"	9.818"	1.125"	0"
Invert 2	539.36'	270°	136.659"	8" PVC SDR26	8.5"	A-Lok 0285	9.75"	9.818"	2.325"	0"
Invert 3										
Invert 4										
Invert 5										
Invert 6										
Invert 7										
Invert 8										

RIGHT-SIDE UP VIEW (int. dimensions)

UPSIDE-DOWN VIEW (int. dimensions)



INSIDE WALL DIMENSIONS



Coating (Int):
 Coating (Ext):

Seam Up: Tongue
 Seam Dn: n/a

Wall Thickness: 5"
 Floor Height: 6"

Height (Int): 28"
 Height (Ext): 34"

Weight (Net): 3223 lb
 Volume (Net): 0.82cu.yd