

**Job Name: 26-1453 Clarksville, TN SPC13A**  
**Job Location: Clarksville, TN**  
**Contractor: Cleary Construction, Inc.**

PC: C. Goff  
 TECH: J. Coppage  
 Plant: Beaver Dam



Structure ID: **PS-MH-070-10SS-MH**

Spec: Sanitary  
 Type: SAN.MH w/ConBlock-CDA Red  
 Size: 48"

Rim: 542.6'  
 Invert: 535.08'  
 Rim to Invert: 7.52'

Sump: 2"  
 Floor (Top): 534.913'  
 Floor Height: 6"

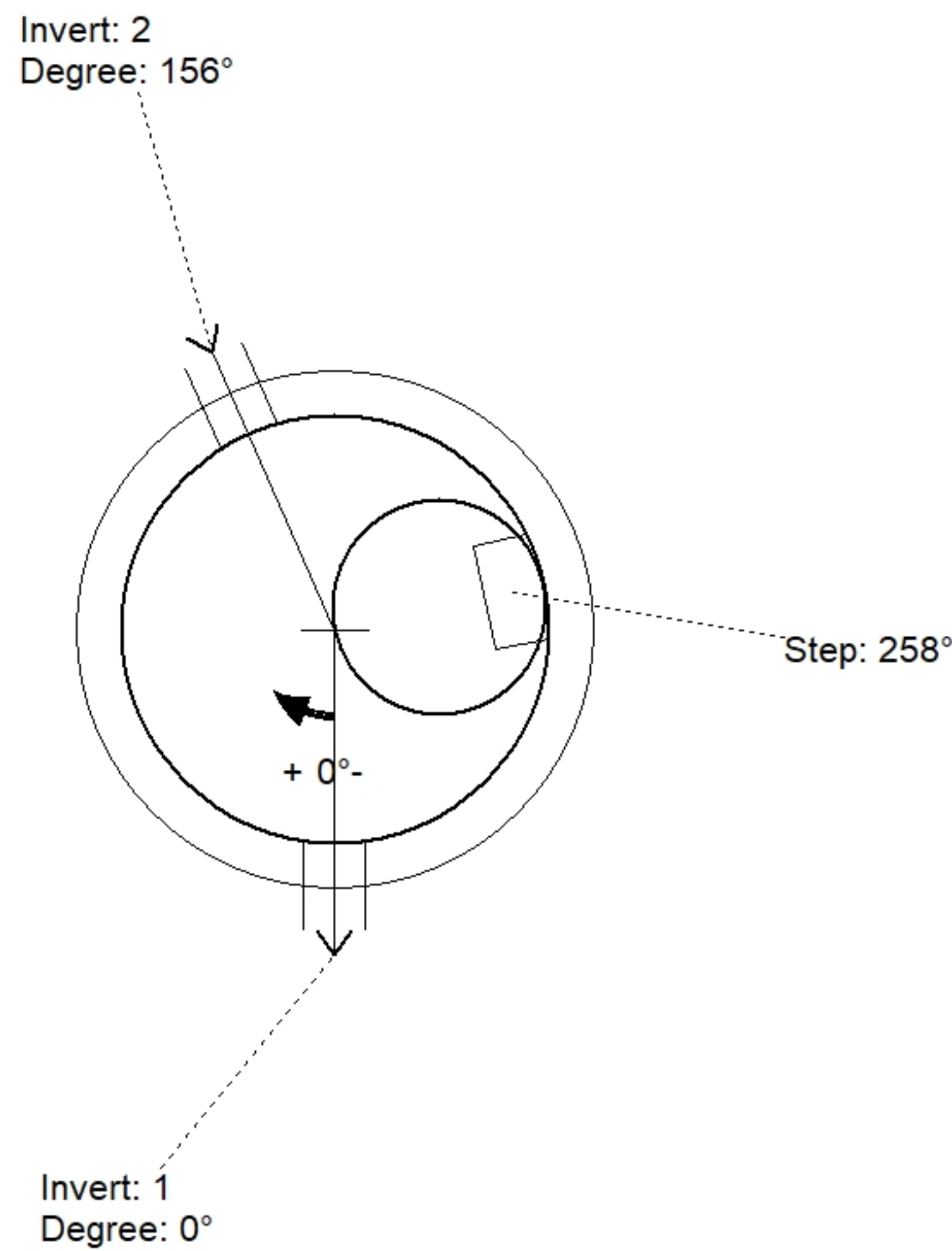
Floor (Bot): 534.413'  
 Overall Height: 8.167'  
 Slack: 0.24"

Structure Notes:

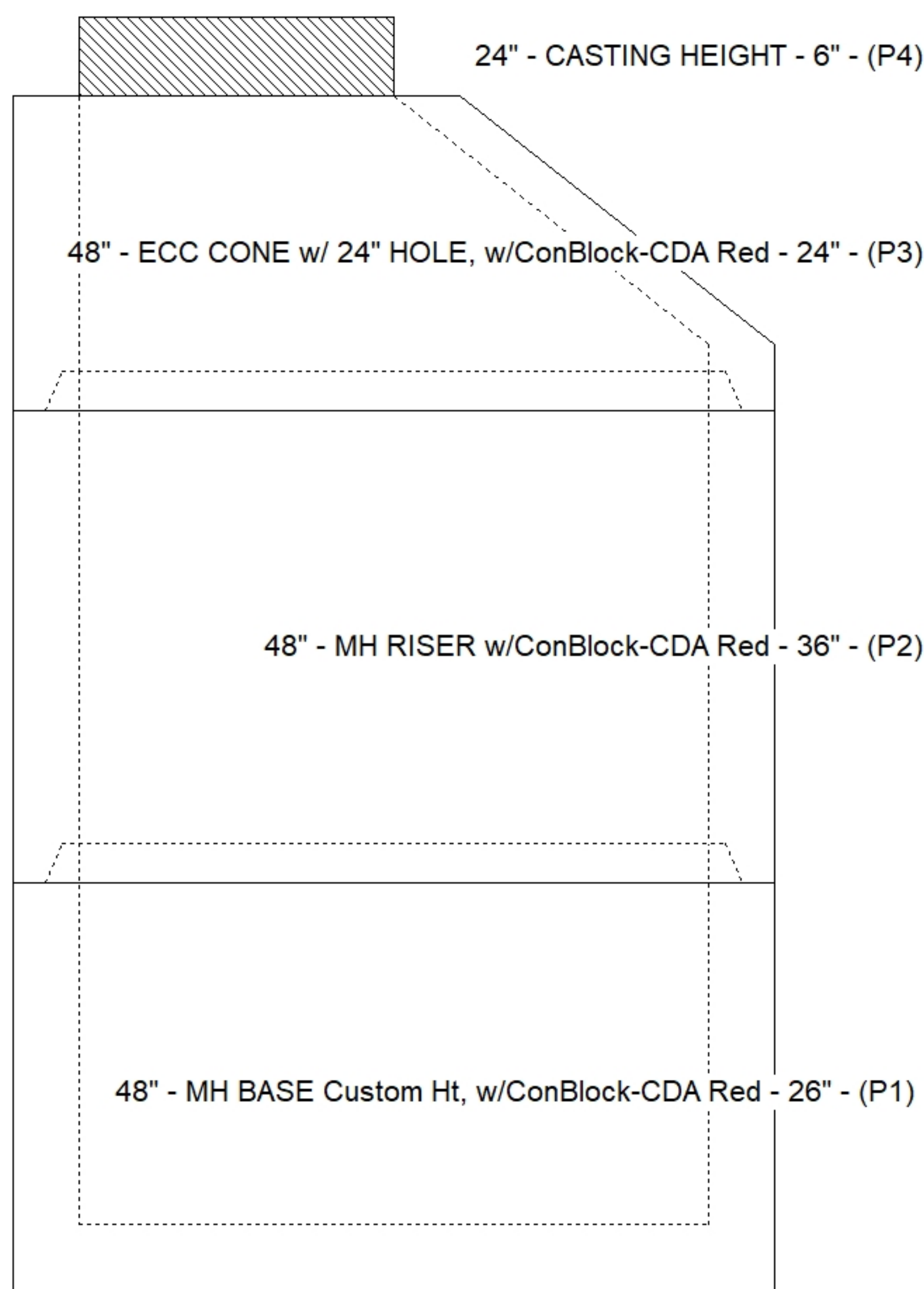
- JBS-1155 SANITARY PROVIDED BY ICAST.
- PER ASTM C478 SPECIFICATIONS.
- CONCRETE = 4,000 PSI AT 28 DAYS.
- REINFORCING PER ASTM A615 (GRADE 60).
  - CONE (As .12)
  - RISER/WALLS (As .12)
  - FLOOR (As .31) #5 BARS AT 12" C.C.E.W.

STRUCTURE SUMMARY:

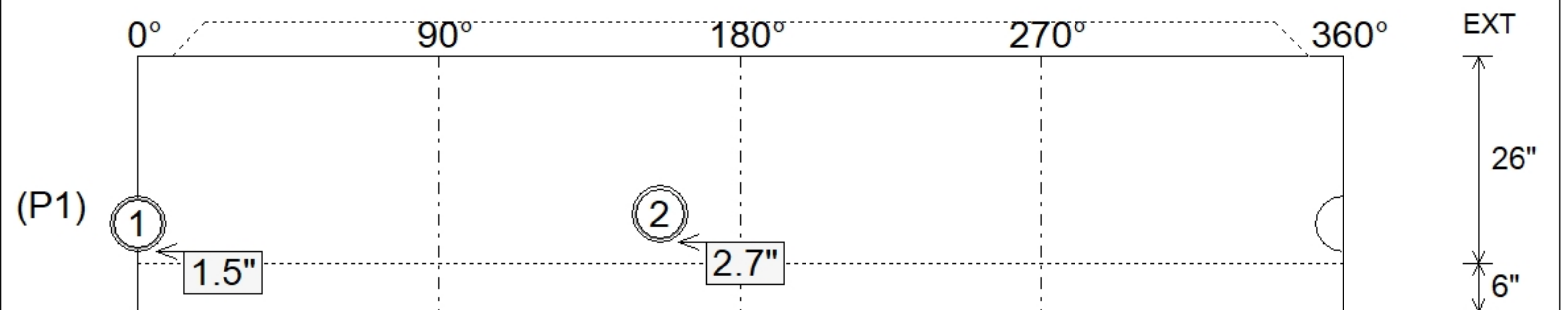
P4) 24" - CASTING HEIGHT - 6"	0 lb
P3) 48" - ECC CONE w/ 24" HOLE, w/ConBlock-CDA Red - 24"	1738 lb
P2) 48" - MH RISER w/ConBlock-CDA Red - 36"	2515 lb
P1) 48" - MH BASE Custom Ht, w/ConBlock-CDA Red - 26"	3114 lb
1) JOINT WRAP - 0.065"x6"x50' CONSEAL CS212	0 lb
1) JOINT WRAP PRIMER - CONSEAL CS-75 (1 gal.)	0 lb
1) 48" - MH INVERT CHANNEL w/ConBlock-CDA Red - FULL HEIGHT	1440 lb
2) 48" - Conseal CS-102 1.00" (Double)	0 lb
2) A-Lok - 0200	2 lb
7) MH Step ML-10-TDS-NCR - 10"	0 lb
<b>Structure Total:</b>	<b>8809 lb</b>



Position	Elev	Angle	Pipe	Pipe OD	Hole	Connector	Up (")	Ref
Rim	542.6'							
Reducer								
Invert 1	535.08'	0°	6" PVC SDR35	6.25"	7"	A-Lok 0200	1.5"	P1
Invert 2	535.18'	156°	6" PVC SDR35	6.25"	7"	A-Lok 0200	2.7"	P1
Invert 3								
Invert 4								
Invert 5								
Invert 6								
Invert 7								
Invert 8								



**Default - Interior Dimensions**



Submittal Drawing  
 4/8/2026 8:08:10 AM

SUBMITTAL  
 APPROVED BY: