

Job Name: 26-1453 Clarksville, TN SPC13A
Job Location: Clarksville, TN
Contractor: Cleary Construction, Inc.

PC: C. Goff
 TECH: J. Coppage
 Plant: Beaver Dam



Structure ID: **PS-MH-069-SS-MH**

Spec: Sanitary
 Type: SAN.MH w/ConBlock-CDA Red
 Size: 48"

Rim: 542.49'
 Invert: 533.05'
 Rim to Invert: 9.44'

Sump: 2"
 Floor (Top): 532.883'
 Floor Height: 6"

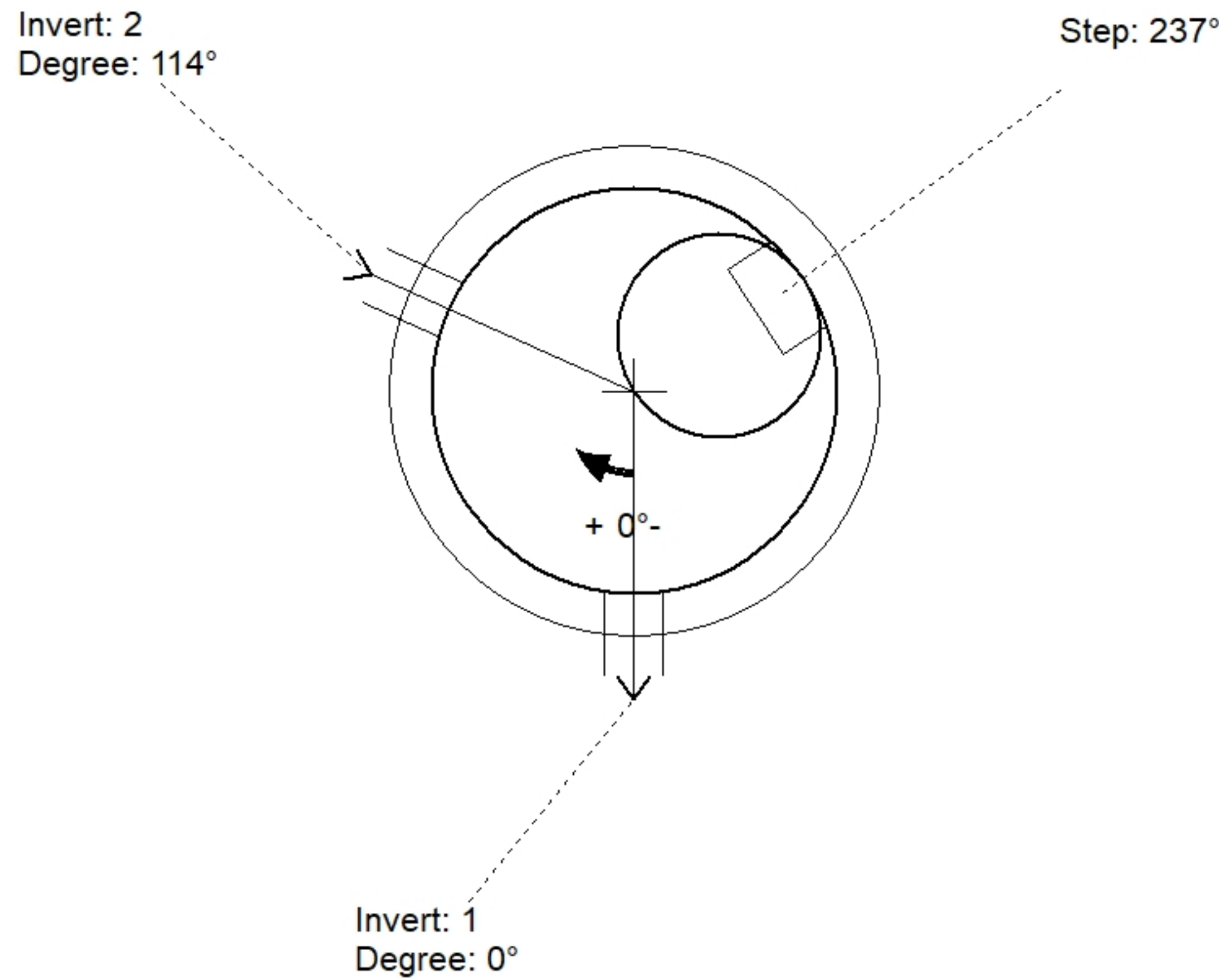
Floor (Bot): 532.383'
 Overall Height: 10.083'
 Slack: 0.28"

Structure Notes:

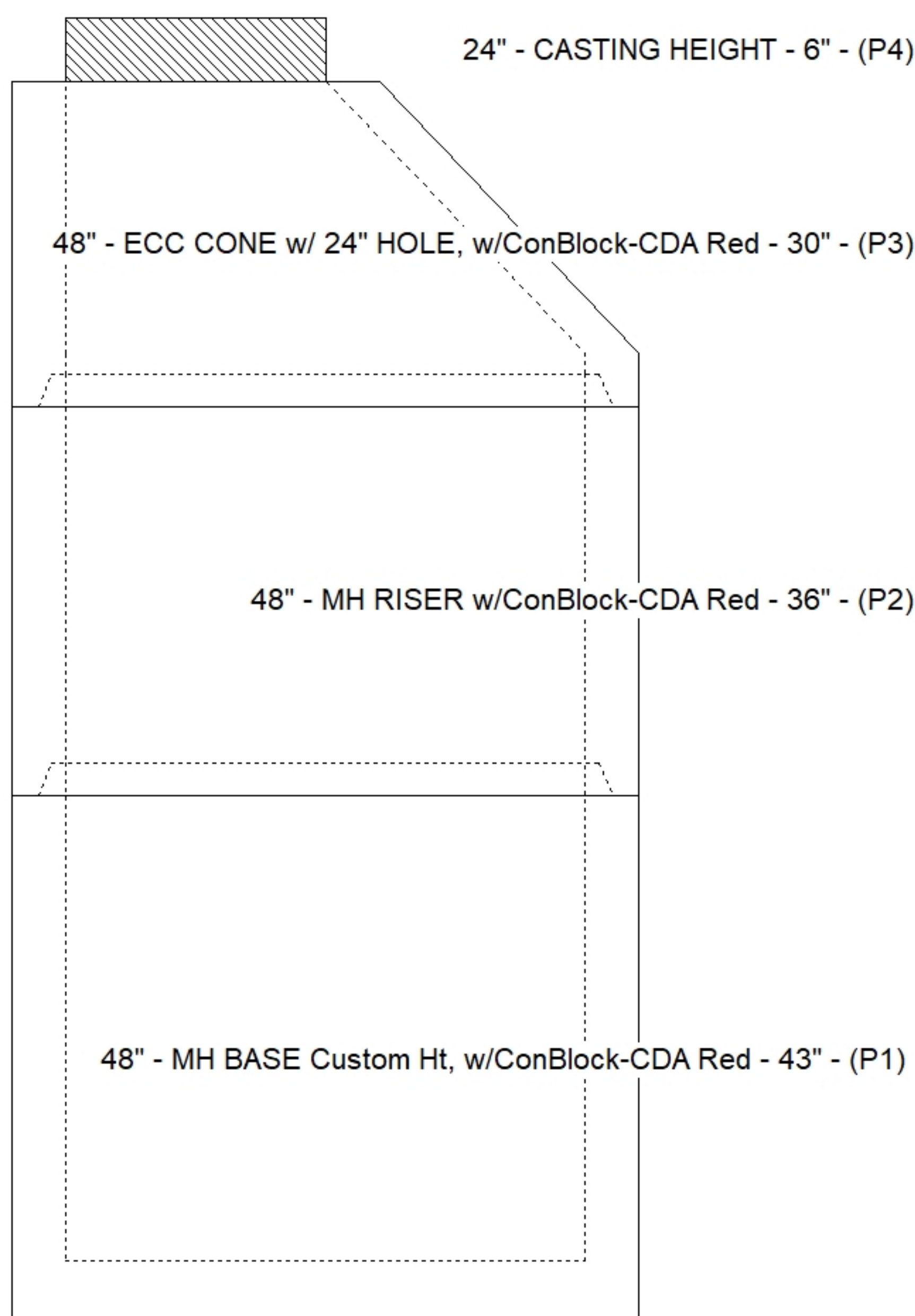
1. JBS-1155 SANITARY PROVIDED BY ICAST.
 2. PER ASTM C478 SPECIFICATIONS.
 3. CONCRETE = 4,000 PSI AT 28 DAYS.
 4. REINFORCING PER ASTM A615 (GRADE 60).
- CONE (As .12)
 - RISER/WALLS (As .12)
 - FLOOR (As .31) #5 BARS AT 12" C.C.E.W.

STRUCTURE SUMMARY:

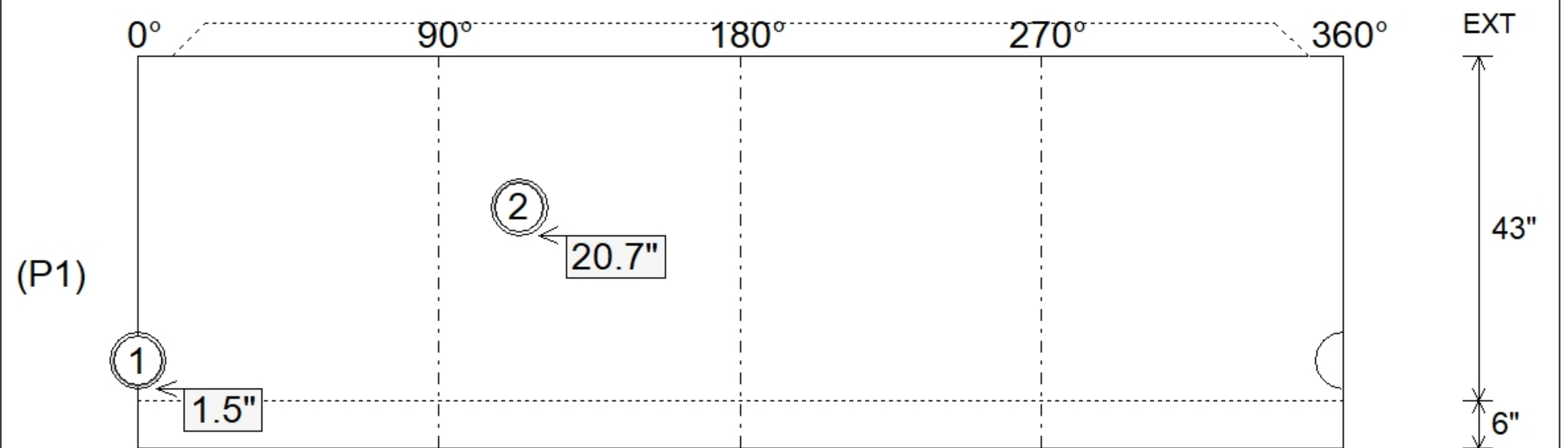
P4) 24" - CASTING HEIGHT - 6"	0 lb
P3) 48" - ECC CONE w/ 24" HOLE, w/ConBlock-CDA Red - 30"	1961 lb
P2) 48" - MH RISER w/ConBlock-CDA Red - 36"	2515 lb
P1) 48" - MH BASE Custom Ht, w/ConBlock-CDA Red - 43"	4302 lb
1) JOINT WRAP - 0.065"x6"x50' CONSEAL CS212	0 lb
1) JOINT WRAP PRIMER - CONSEAL CS-75 (1 gal.)	0 lb
1) 48" - MH INVERT CHANNEL w/ConBlock-CDA Red - FULL HEIGHT	1440 lb
2) 48" - Conseal CS-102 1.00" (Double)	0 lb
2) A-Lok - 0200	2 lb
9) MH Step ML-10-TDS-NCR - 10"	0 lb
Structure Total:	10220 lb



Position	Elev	Angle	Pipe	Pipe OD	Hole	Connector	Up (")	Ref
Rim	542.49'							
Reducer								
Invert 1	533.05'	0°	6" PVC SDR35	6.25"	7"	A-Lok 0200	1.5"	P1
Invert 2	534.65'	114°	6" PVC SDR35	6.25"	7"	A-Lok 0200	20.7"	P1
Invert 3								
Invert 4								
Invert 5								
Invert 6								
Invert 7								
Invert 8								



Default - Interior Dimensions



Submittal Drawing
 4/8/2026 8:08:10 AM

SUBMITTAL
 APPROVED BY: