

**Job Name: 26-1453 Clarksville, TN SPC13A**  
**Job Location: Clarksville, TN**  
**Contractor: Cleary Construction, Inc.**

PC: C. Goff  
 TECH: J. Coppage  
 Plant: Beaver Dam



Structure ID: **PS-MH-033-8SS-MHD**

Spec: Sanitary  
 Type: SAN.MH w/Ext. Drop/ConBlock-CDA Red  
 Size: 48"

Rim: 542.59'      Sump: 2"      Floor (Bot): 529.623'  
 Invert: 530.29'      Floor (Top): 530.123'      Overall Height: 12.833'  
 Rim to Invert: 12.3'      Floor Height: 6"      Slack: 1.6"

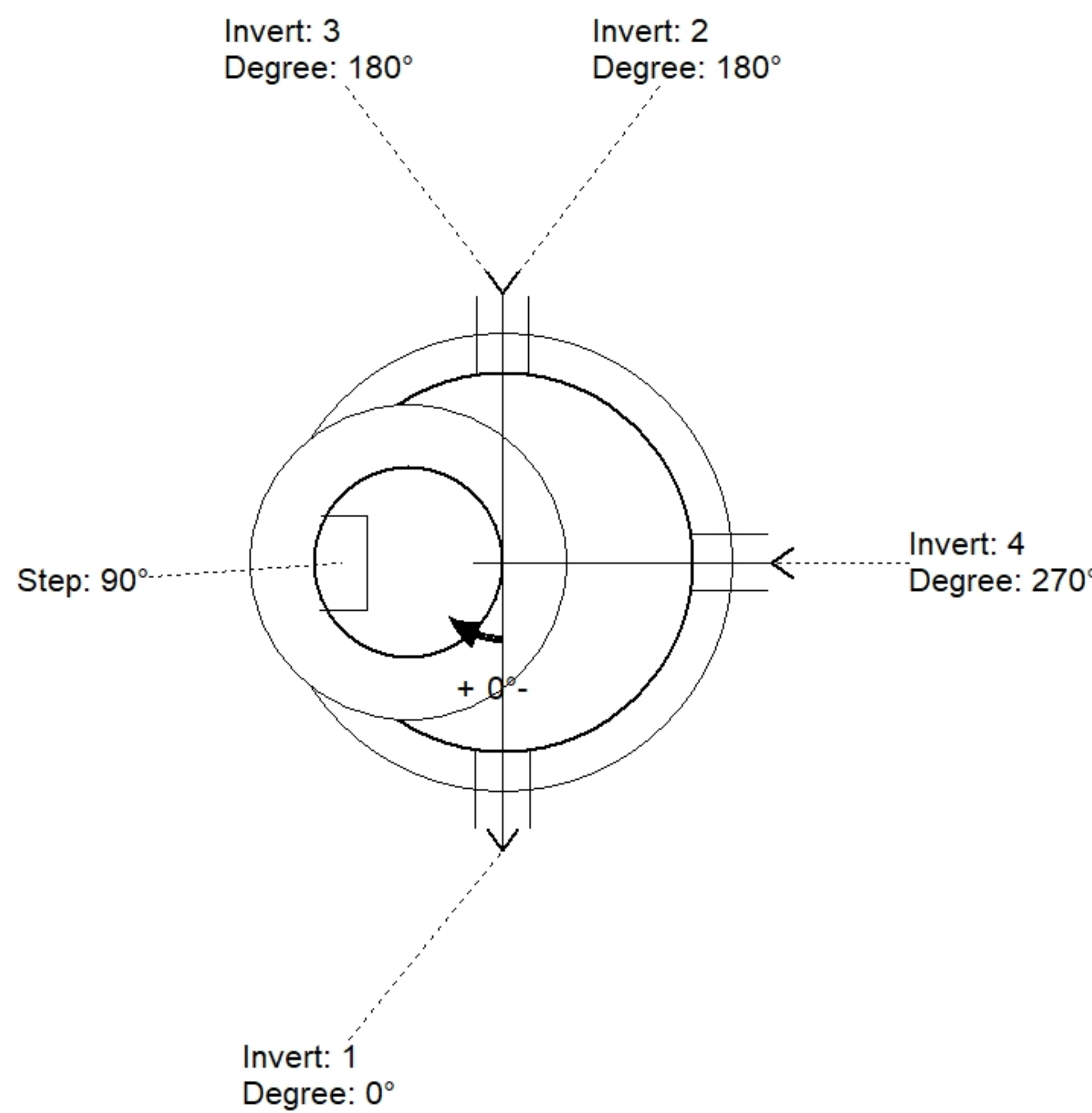
**Structure Notes:**

1. JBS-1155 SANITARY PROVIDED BY ICAST.
2. PER ASTM C478 SPECIFICATIONS.
3. CONCRETE = 4,000 PSI AT 28 DAYS.
4. REINFORCING PER ASTM A615 (GRADE 60).
  - CONE (As .12)
  - RISER/WALLS (As .12)
  - FLOOR (As .31) #5 BARS AT 12" C.C.E.W.

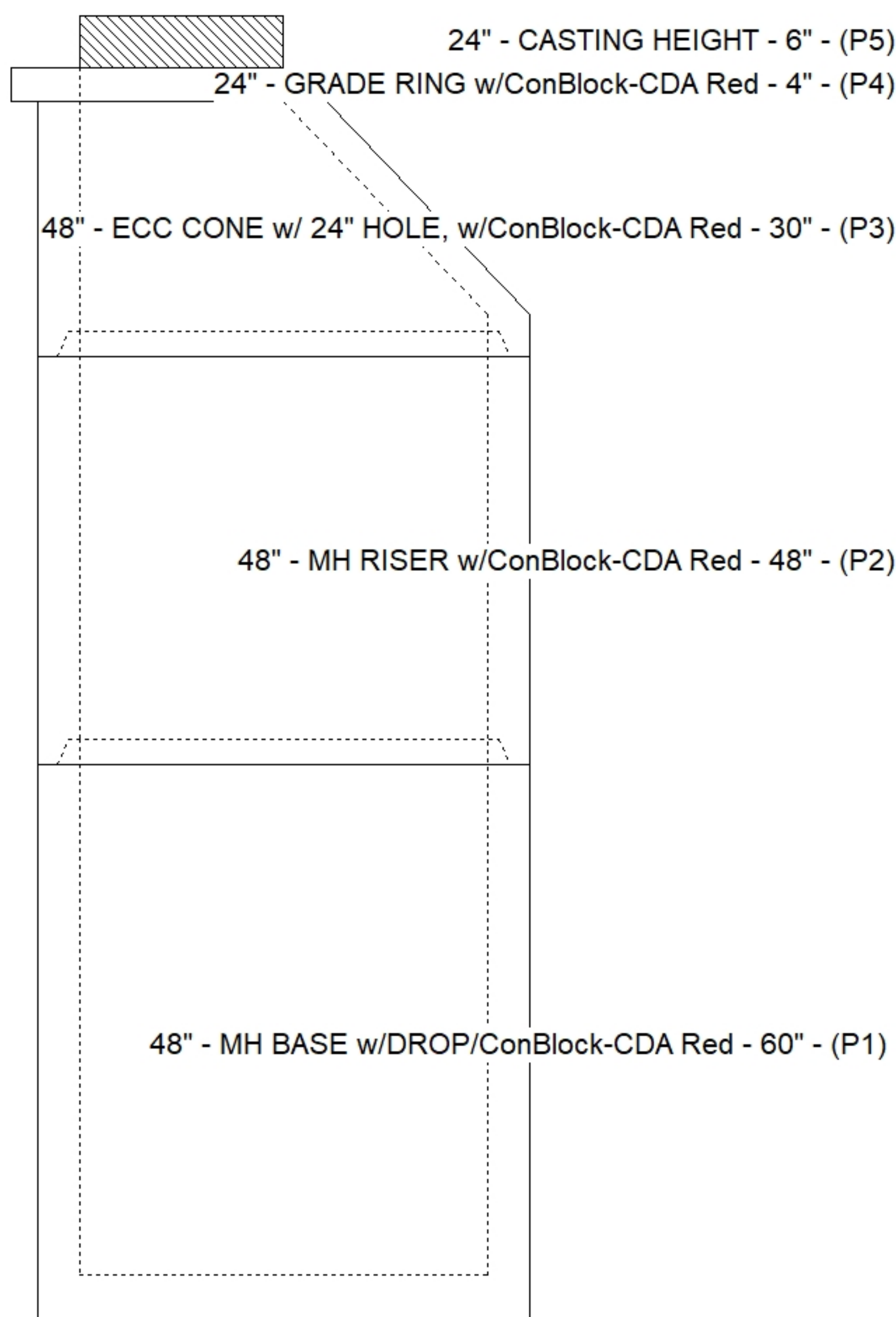
**STRUCTURE SUMMARY:**

- P5) 24" - CASTING HEIGHT - 6" 0 lb
- P4) 24" - GRADE RING w/ConBlock-CDA Red - 4" 270 lb
- P3) 48" - ECC CONE w/ 24" HOLE, w/ConBlock-CDA Red - 30" 1961 lb
- P2) 48" - MH RISER w/ConBlock-CDA Red - 48" 3353 lb
- P1) 48" - MH BASE w/DROP/ConBlock-CDA Red - 60" 5461 lb
- 1) JOINT WRAP - 0.065"x6"x50' CONSEAL CS212 0 lb
- 1) JOINT WRAP PRIMER - CONSEAL CS-75 (1 gal.) 0 lb
- 1) 48" - MH INVERT CHANNEL w/ConBlock-CDA Red - FULL HEIGHT 1440 lb
- 2) 48" - Conseal CS-102 1.00" (Double) 0 lb
- 2) A-Lok - 0200 2 lb
- 1) Drop Tee - 6" PVC 0 lb
- 1) Drop Elbow - 6" PVC 0 lb
- 12) MH Step ML-10-TDS-NCR - 10" 0 lb

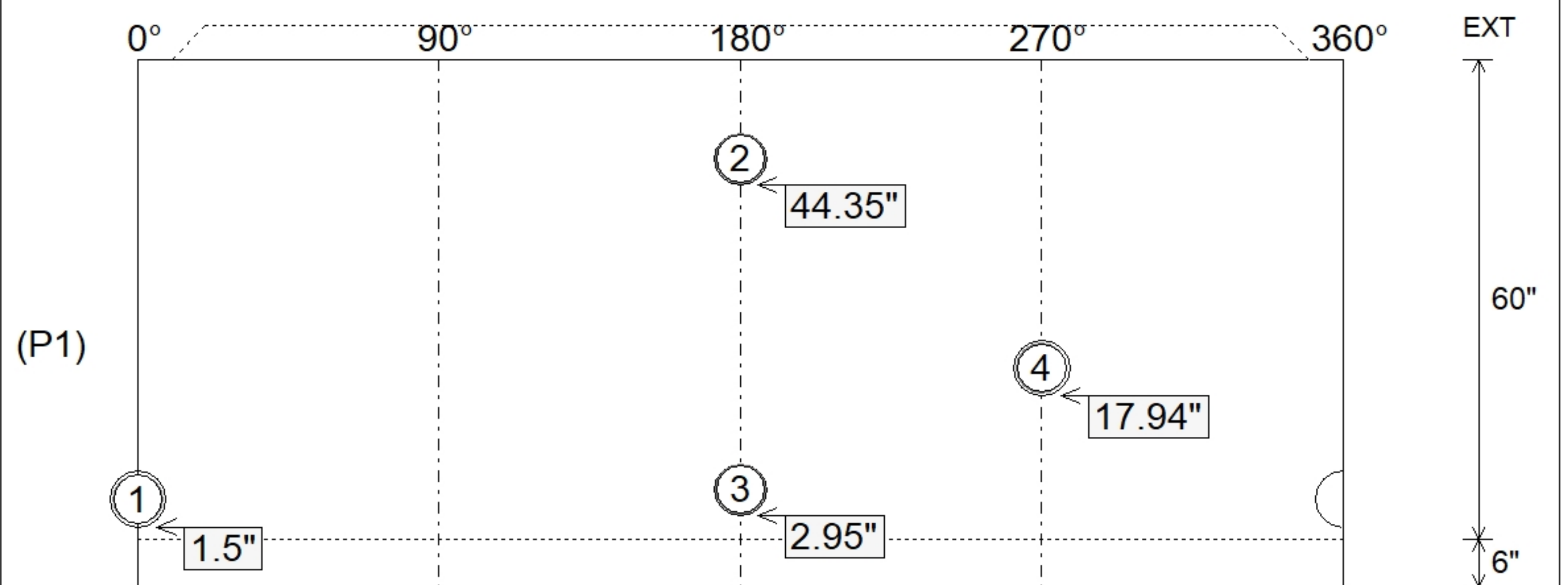
Structure Total: 12488 lb



Position	Elev	Angle	Pipe	Pipe OD	Hole	Connector	Up (")	Ref
Rim	542.59'							
Reducer								
Invert 1	530.29'	0°	6" PVC SDR35	6.25"	7"	A-Lok 0200	1.5"	P1
Invert 2	533.84'	180°	6" PVC SDR35	6.25"	6.5"	Drop Tee 6" PVC	44.35"	P1
Invert 3	530.39'	180°	6" PVC SDR35	6.25"	6.5"	Drop Elbow 6" PVC	2.95"	P1
Invert 4	531.66'	270°	6" PVC SDR35	6.25"	7"	A-Lok 0200	17.94"	P1
Invert 5								
Invert 6								
Invert 7								
Invert 8								



**Default - Interior Dimensions**



Submittal Drawing  
 4/8/2026 8:08:09 AM

SUBMITTAL  
 APPROVED BY: