

Job Name: 26-1453 Clarksville, TN SPC13A
 Job Location: Clarksville, TN
 Contractor: Cleary Construction, Inc.

Plant: Beaver Dam

Tech: J. Coppage

4/7/2026 10:37:28 AM

PC: C. Goff



Structure ID: PS-MH-033-8SS-MHD

P1 MH048BA60CDARED

MH BASE w/DROP/ConBlock-CDA Red

- P5) 24" - CASTING HEIGHT - 6"
- P4) 24" - GRADE RING w/ConBlock-CDA Red - 4"
- P3) 48" - ECC CONE w/ 24" HOLE, w/ConBlock-CDA Red - 30"
- P2) 48" - MH RISER w/ConBlock-CDA Red - 48"
- P1) 48" - MH BASE w/DROP/ConBlock-CDA Red - 60"
- 1) JOINT WRAP - 0.065"x6"x50' CONSEAL CS212
- 1) JOINT WRAP PRIMER - CONSEAL CS-75 (1 gal.)
- 1) 48" - MH INVERT CHANNEL w/ConBlock-CDA Red - FULL HEIGHT
- 2) 48" - Conseal CS-102 1.00" (Double)
- 2) A-Lok - 0200
- 1) Drop Tee - 6" PVC
- 1) Drop Elbow - 6" PVC
- 12) MH Step ML-10-TDS-NCR - 10"

- Structure Notes:**
1. JBS-1155 SANITARY PROVIDED BY ICAST.
 2. PER ASTM C478 SPECIFICATIONS.
 3. CONCRETE = 4,000 PSI AT 28 DAYS.
 4. REINFORCING PER ASTM A615 (GRADE 60).
 - CONE (As .12)
 - RISER/WALLS (As .12)
 - FLOOR (As .31) #5 BARS AT 12" C.C.E.W.

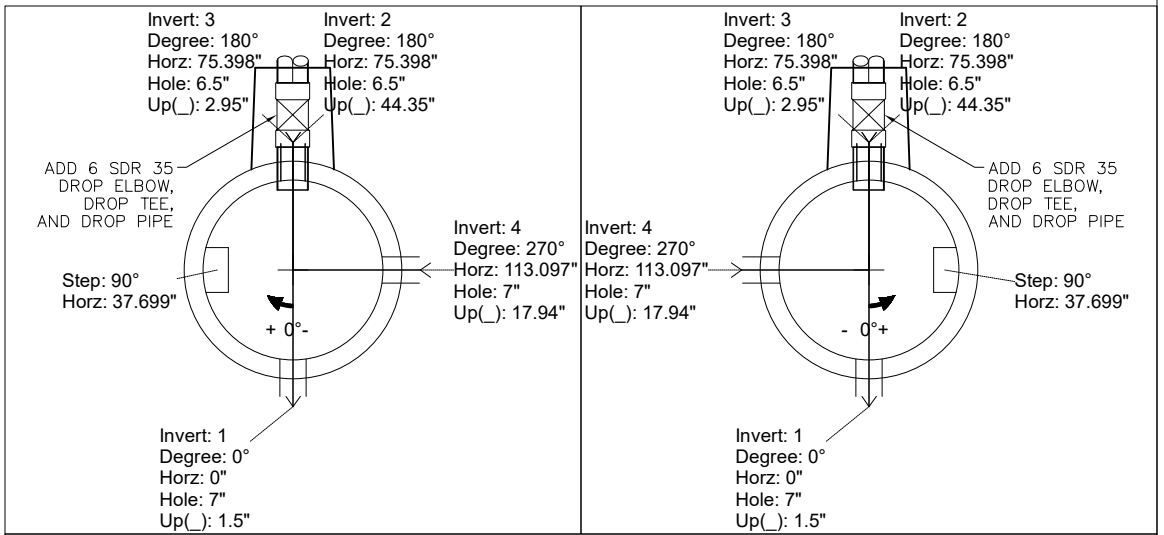
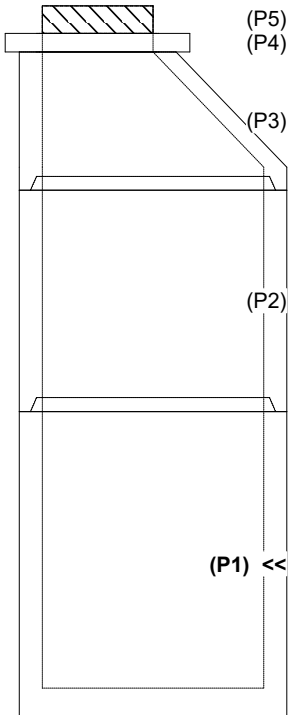
Structure Total: 12488 lb

Rim: 542.59' Rim to Invert: 12.3' Slack: 1.6" Sump: 2" Step Position: 90°

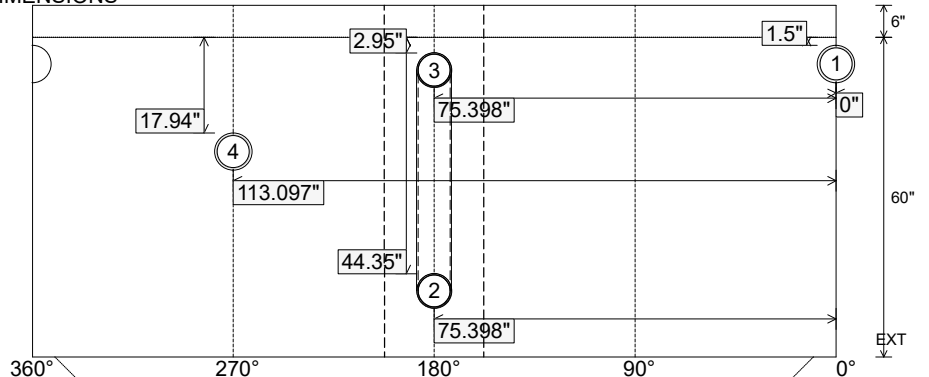
Position	Elev	Angle	Ext. (cw)	Pipe	Pipe OD	Connector	Hole	Horz Size	Up ()	Offset
Invert 1	530.29'	0°	0"	6" PVC SDR35	6.25"	A-Lok 0200	7"	7.025"	1.5"	0"
Invert 2	533.84'	180°	91.106"	6" PVC SDR35	6.25"	Drop Tee 6" PVC	6.5"	6.52"	44.35"	0"
Invert 3	530.39'	180°	91.106"	6" PVC SDR35	6.25"	Drop Elbow 6" PVC	6.5"	6.52"	2.95"	0"
Invert 4	531.66'	270°	136.659"	6" PVC SDR35	6.25"	A-Lok 0200	7"	7.025"	17.94"	0"
Invert 5										
Invert 6										
Invert 7										
Invert 8										

RIGHT-SIDE UP VIEW (int. dimensions)

UPSIDE-DOWN VIEW (int. dimensions)



INSIDE WALL DIMENSIONS



Coating (Int):
Coating (Ext):

Seam Up: Tongue
Seam Dn: n/a

Wall Thickness: 5"
Floor Height: 6"

Height (Int): 60"
Height (Ext): 66"

Weight (Net): 5461 lb
Volume (Net): 1.4cu.yd

Job Name: 26-1453 Clarksville, TN SPC13A
 Job Location: Clarksville, TN
 Contractor: Cleary Construction, Inc.

Plant: Beaver Dam

Tech: J. Coppage

4/7/2026 10:37:28 AM

PC: C. Goff



Structure ID: PS-MH-033-8SS-MHD

P1 MH048BA60CDARED

MH BASE w/DROP/ConBlock-CDA Red

- P5) 24" - CASTING HEIGHT - 6"
- P4) 24" - GRADE RING w/ConBlock-CDA Red - 4"
- P3) 48" - ECC CONE w/ 24" HOLE, w/ConBlock-CDA Red - 30"
- P2) 48" - MH RISER w/ConBlock-CDA Red - 48"
- P1) 48" - MH BASE w/DROP/ConBlock-CDA Red - 60"
- 1) JOINT WRAP - 0.065"x6"x50' CONSEAL CS212
- 1) JOINT WRAP PRIMER - CONSEAL CS-75 (1 gal.)
- 1) 48" - MH INVERT CHANNEL w/ConBlock-CDA Red - FULL HEIGHT
- 2) 48" - Conseal CS-102 1.00" (Double)
- 2) A-Lok - 0200
- 1) Drop Tee - 6" PVC
- 1) Drop Elbow - 6" PVC
- 12) MH Step ML-10-TDS-NCR - 10"

- Structure Notes:**
1. JBS-1155 SANITARY PROVIDED BY ICAST.
 2. PER ASTM C478 SPECIFICATIONS.
 3. CONCRETE = 4,000 PSI AT 28 DAYS.
 4. REINFORCING PER ASTM A615 (GRADE 60).
- CONE (As .12)
 - RISER/WALLS (As .12)
 - FLOOR (As .31) #5 BARS AT 12" C.C.E.W.

**INVERT CHANNEL DRAWING
 FULL HEIGHT INVERT**

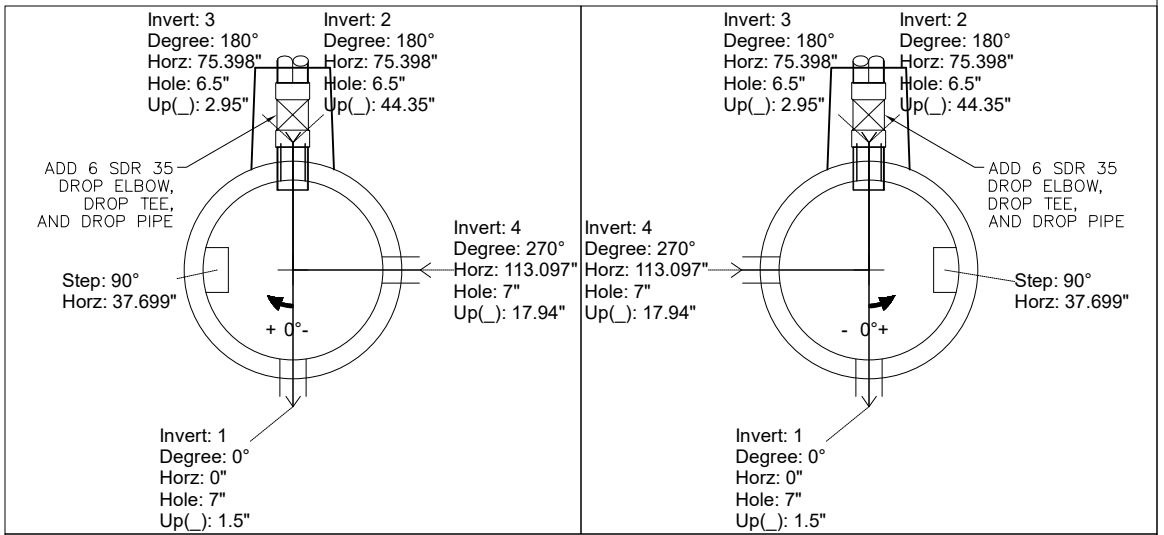
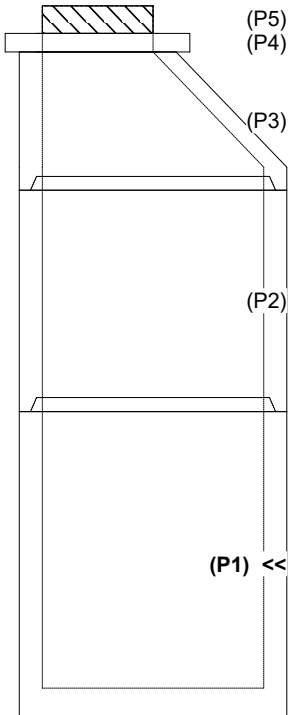
Structure Total: 12488 lb

Rim: 542.59' Rim to Invert: 12.3' Slack: 1.6" Sump: 2" Step Position: 90°

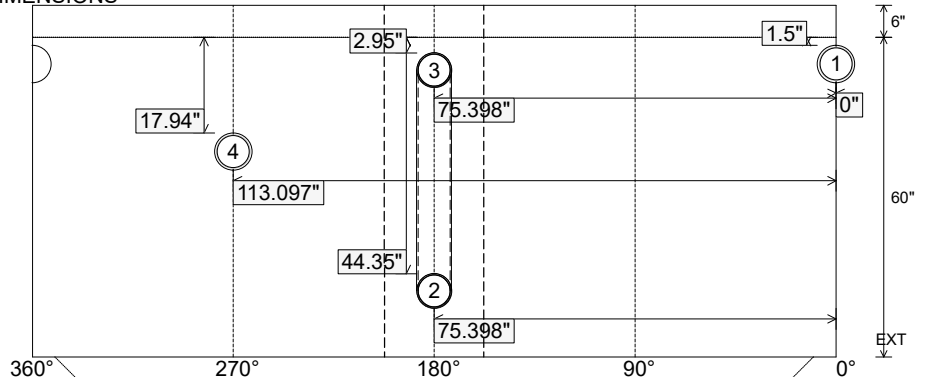
Position	Elev	Angle	Ext. (cw)	Pipe	Pipe OD	Connector	Hole	Horz Size	Up ()	Offset
Invert 1	530.29'	0°	0"	6" PVC SDR35	6.25"	A-Lok 0200	7"	7.025"	1.5"	0"
Invert 2	533.84'	180°	91.106"	6" PVC SDR35	6.25"	Drop Tee 6" PVC	6.5"	6.52"	44.35"	0"
Invert 3	530.39'	180°	91.106"	6" PVC SDR35	6.25"	Drop Elbow 6" PVC	6.5"	6.52"	2.95"	0"
Invert 4	531.66'	270°	136.659"	6" PVC SDR35	6.25"	A-Lok 0200	7"	7.025"	17.94"	0"
Invert 5										
Invert 6										
Invert 7										
Invert 8										

RIGHT-SIDE UP VIEW (int. dimensions)

UPSIDE-DOWN VIEW (int. dimensions)



INSIDE WALL DIMENSIONS



Coating (Int):
 Coating (Ext):

Seam Up: Tongue
 Seam Dn: n/a

Wall Thickness: 5"
 Floor Height: 6"

Height (Int): 60"
 Height (Ext): 66"

Weight (Net): 5461 lb
 Volume (Net): 1.4cu.yd