

Job Name: 26-1453 Clarksville, TN SPC13A  
 Job Location: Clarksville, TN  
 Contractor: Cleary Construction, Inc.

Plant: Beaver Dam

Tech: J. Copping

4/7/2026 10:38:01 AM

PC: C. Goff



**Structure ID: PS-MH-005-6SS-MH**

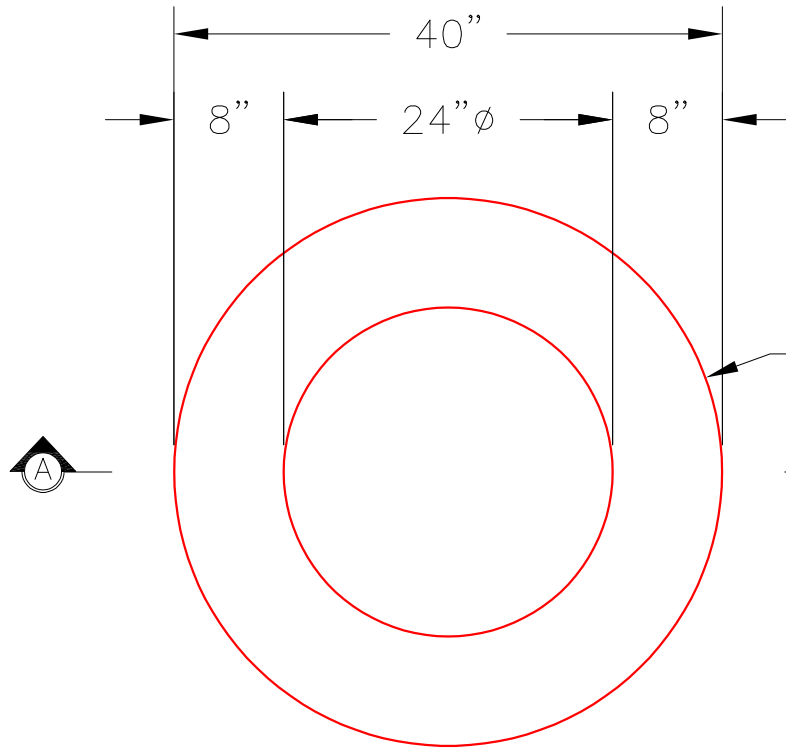
**P4 GR4CDARED**

**GRADE RING w/ConBlock-CDA Red**

- P5) 24" - CASTING HEIGHT - 6"
- P4) 24" - GRADE RING w/ConBlock-CDA Red - 4"
- P3) 48" - ECC CONE w/ 24" HOLE, w/ConBlock-CDA Red - 42"
- P2) 48" - MH RISER w/ConBlock-CDA Red - 72"
- P1) 48" - MH BASE w/ConBlock-CDA Red - 36"
- 1) JOINT WRAP - 0.065"x6"x50' CONSEAL CS212
- 1) JOINT WRAP PRIMER - CONSEAL CS-75 (1 gal.)
- 1) 48" - MH INVERT CHANNEL w/ConBlock-CDA Red - FULL HEIGHT
- 2) 48" - Conseal CS-102 1.00" (Double)
- 1) A-Lok - 0410
- 1) A-Lok - 0200
- 13) MH Step ML-10-TDS-NCR - 10"

- Structure Notes:**
1. JBS-1155 SANITARY PROVIDED BY ICAST.
  2. PER ASTM C478 SPECIFICATIONS.
  3. CONCRETE = 4,000 PSI AT 28 DAYS.
  4. REINFORCING PER ASTM A615 (GRADE 60).
    - CONE (As .12)
    - RISER/WALLS (As .12)
    - FLOOR (As .31) #5 BARS AT 12" C.C.E.W.

Structure Total: 13624 lb

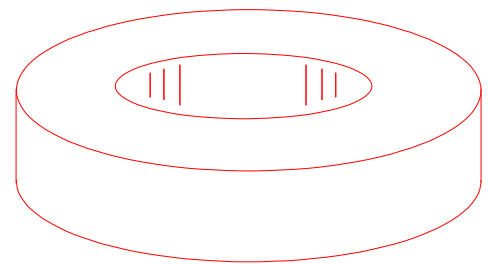


**PLAN VIEW**

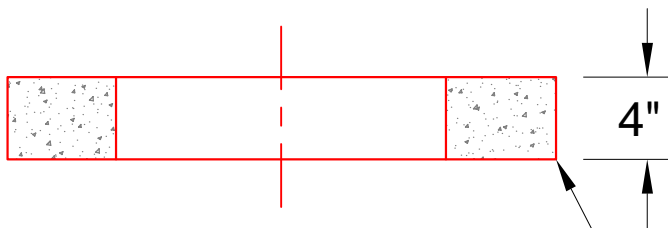
**NOTES:**

1. GRADE RINGS MEET OR EXCEED THE FOLLOWING SPECIFICATIONS:
  - CONCRETE: 4,000 PSI @ 28 DAYS.
  - REINFORCING: (1) #3 HOOP CENTERED (GRADE 60)
2. CONBLOCK-CDA RED ADMIXTURE REQUIRED

CONBLOCK-CDA RED ADMIXTURE REQUIRED



**ISOMETRIC VIEW**



**SECTION A-A**

CONBLOCK-CDA RED ADMIXTURE REQUIRED

Coating (Int):  
Coating (Ext):

Seam Up: Flat  
Seam Dn: Flat

Wall Thickness: 8"

Height (Ext): 4"

Weight (Net): 270 lb  
Volume (Net): 0.07cu.yd