

**Job Name: 26-1453 Clarksville, TN SPC13A**  
**Job Location: Clarksville, TN**  
**Contractor: Cleary Construction, Inc.**

PC: C. Goff  
 TECH: J. Coppage  
 Plant: Beaver Dam



Structure ID: **PS-MH-004-5SS-MHD**  
 Spec: Sanitary  
 Type: SAN.MH w/Ext. Drop/ConBlock-CDA Red  
 Size: 48"

Rim: 542.65'  
 Invert: 528.65'  
 Rim to Invert: 14'

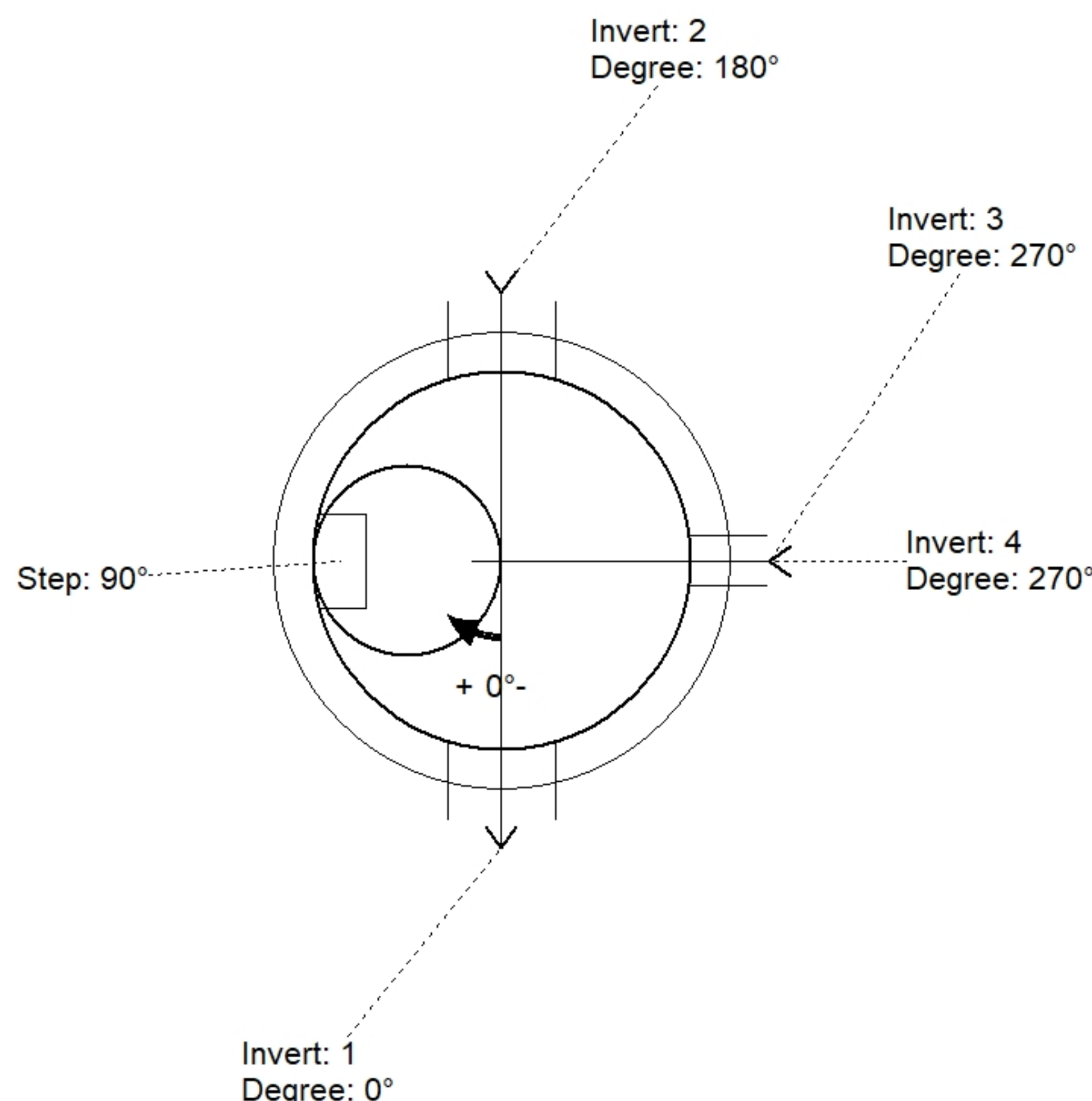
Sump: 2"  
 Floor (Top): 528.483'  
 Floor Height: 6"

Floor (Bot): 527.983'  
 Overall Height: 14.667'  
 Slack: 0"

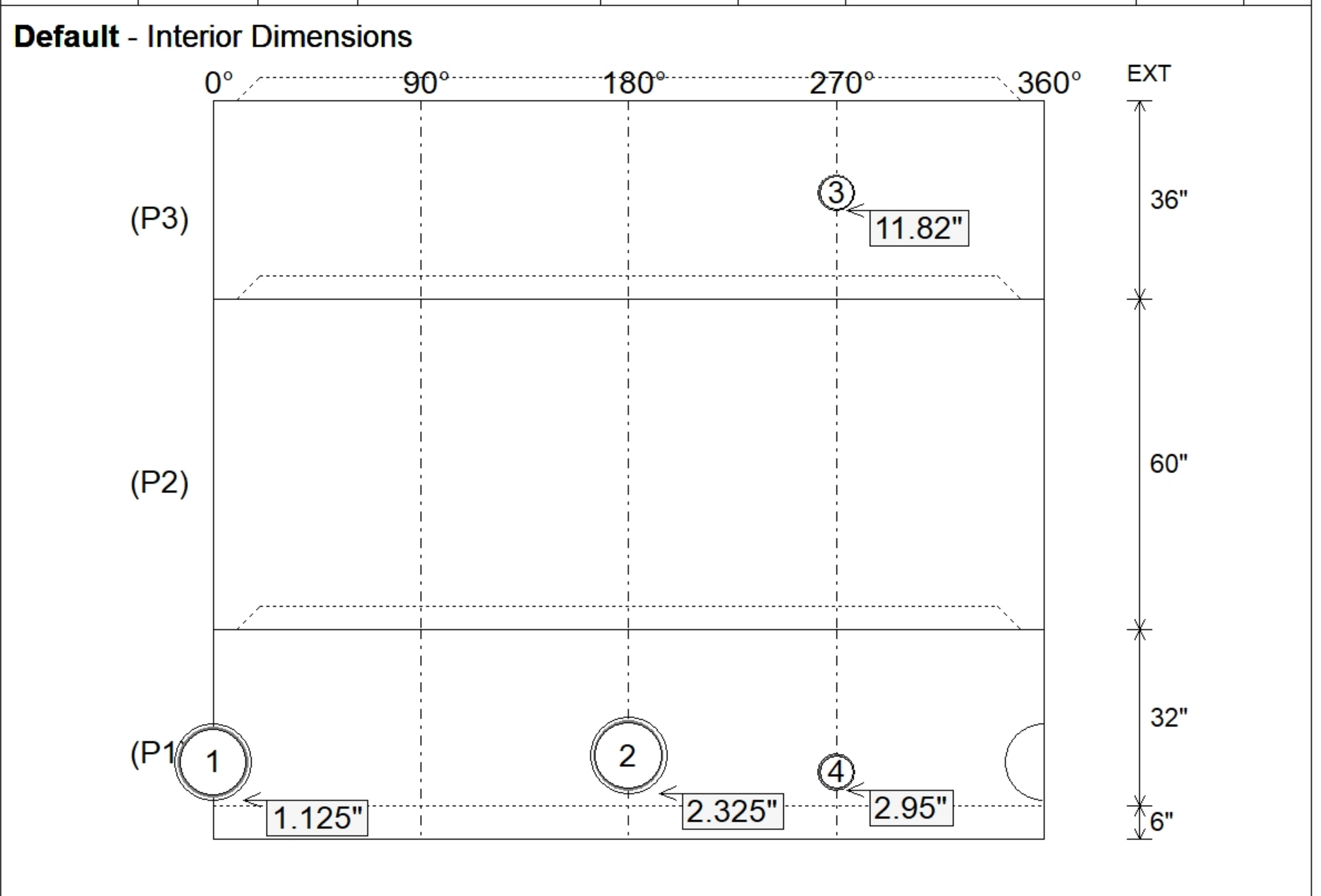
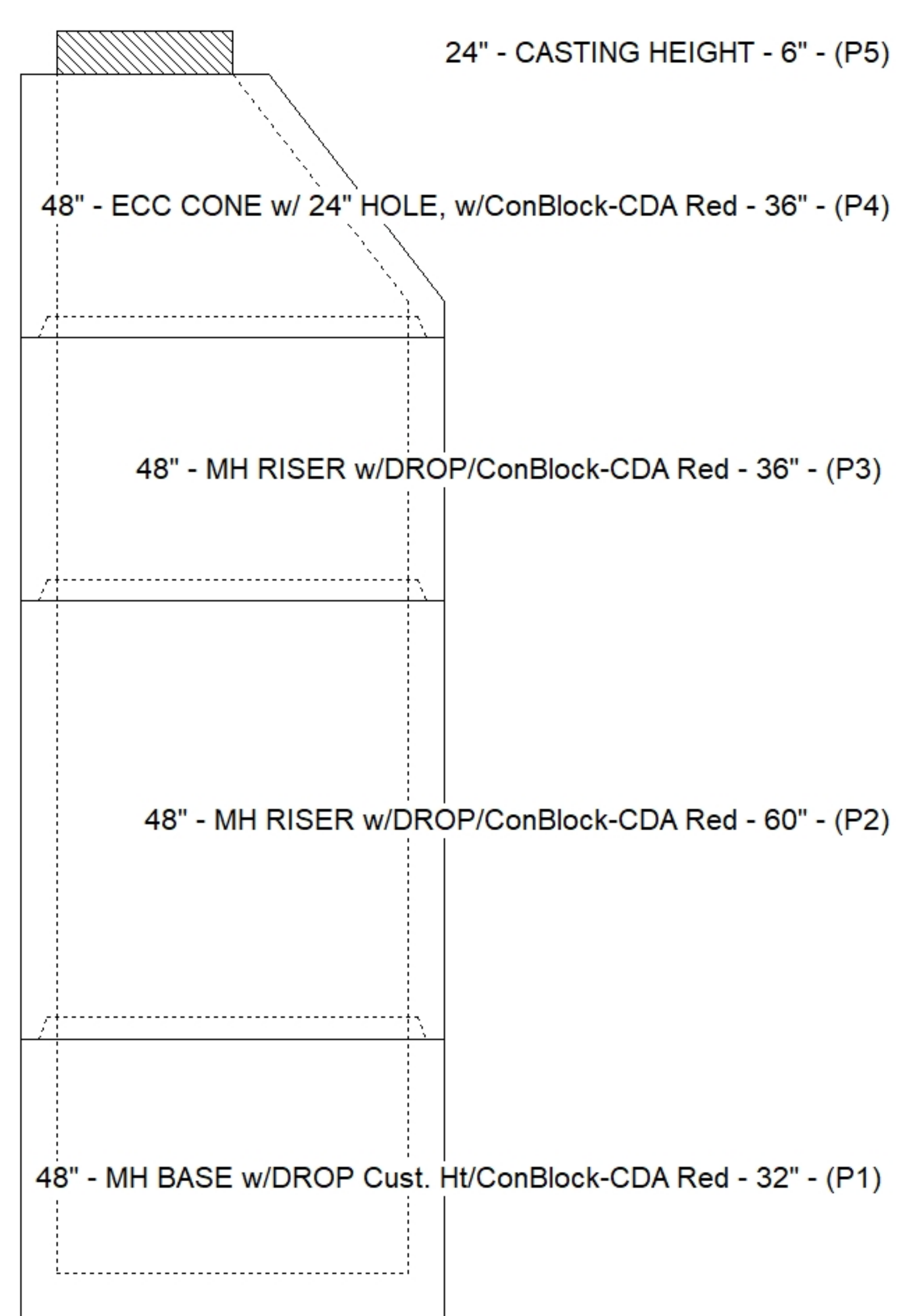
**Structure Notes:**  
 1. JBS-1155 SANITARY PROVIDED BY ICAST.  
 2. PER ASTM C478 SPECIFICATIONS.  
 3. CONCRETE = 4,000 PSI AT 28 DAYS.  
 4. REINFORCING PER ASTM A615 (GRADE 60).  
 - CONE (As .12)  
 - RISER/WALLS (As .12)  
 - FLOOR (As .31) #5 BARS AT 12" C.C.E.W.

**STRUCTURE SUMMARY:**

P5) 24" - CASTING HEIGHT - 6"	0 lb
P4) 48" - ECC CONE w/ 24" HOLE, w/ConBlock-CDA Red - 36"	2251 lb
P3) 48" - MH RISER w/DROP/ConBlock-CDA Red - 36"	2501 lb
P2) 48" - MH RISER w/DROP/ConBlock-CDA Red - 60"	4192 lb
P1) 48" - MH BASE w/DROP Cust. Ht/ConBlock-CDA Red - 32"	3426 lb
1) JOINT WRAP - 0.065"x6"x50' CONSEAL CS212	0 lb
1) JOINT WRAP PRIMER - CONSEAL CS-75 (1 gal.)	0 lb
1) 48" - MH INVERT CHANNEL w/ConBlock-CDA Red - FULL HEIGHT	1440 lb
3) 48" - Conseal CS-102 1.00" (Double)	0 lb
2) A-Lok - 0410	2 lb
1) Drop Tee - 6" PVC	0 lb
1) Drop Elbow - 6" PVC	0 lb
14) MH Step ML-10-TDS-NCR - 10"	0 lb
<b>Structure Total:</b>	<b>13811 lb</b>



Position	Elev	Angle	Pipe	Pipe OD	Hole	Connector	Up (")	Ref
Rim	542.65'							
Reducer								
Invert 1	528.65'	0°	12" PVC SDR35	12.5"	13.75"	A-Lok 0410	1.125"	P1
Invert 2	528.75'	180°	12" PVC SDR35	12.5"	13.75"	A-Lok 0410	2.325"	P1
Invert 3	537.51'	270°	6" PVC SDR35	6.25"	6.5"	Drop Tee 6" PVC	11.82"	P3
Invert 4	528.75'	270°	6" PVC SDR35	6.25"	6.5"	Drop Elbow 6" PVC	2.95"	P1
Invert 5								
Invert 6								
Invert 7								
Invert 8								



Submittal Drawing  
 4/8/2026 8:08:08 AM

SUBMITTAL  
 APPROVED BY: