

Job Name: 26-1453 Clarksville, TN SPC13A  
 Job Location: Clarksville, TN  
 Contractor: Cleary Construction, Inc.

Plant: Beaver Dam

Tech: J. Coppage

4/7/2026 10:37:25 AM

PC: C. Goff



**Structure ID: PS-MH-004-5SS-MHD**

**P1 MH048BAVF-DCDARED**

**MH BASE w/DROP Cust. Ht/ConBlock-CDA Red**

- P5) 24" - CASTING HEIGHT - 6"
- P4) 48" - ECC CONE w/ 24" HOLE, w/ConBlock-CDA Red - 36"
- P3) 48" - MH RISER w/DROP/ConBlock-CDA Red - 36"
- P2) 48" - MH RISER w/DROP/ConBlock-CDA Red - 60"
- P1) 48" - MH BASE w/DROP Cust. Ht/ConBlock-CDA Red - 32"
- 1) JOINT WRAP - 0.065"x6"x50' CONSEAL CS212
- 1) JOINT WRAP PRIMER - CONSEAL CS-75 (1 gal.)
- 1) 48" - MH INVERT CHANNEL w/ConBlock-CDA Red - FULL HEIGHT
- 3) 48" - Conseal CS-102 1.00" (Double)
- 2) A-Lok - 0410
- 1) Drop Tee - 6" PVC
- 1) Drop Elbow - 6" PVC
- 14) MH Step ML-10-TDS-NCR - 10"

- Structure Notes:**
1. JBS-1155 SANITARY PROVIDED BY ICAST.
  2. PER ASTM C478 SPECIFICATIONS.
  3. CONCRETE = 4,000 PSI AT 28 DAYS.
  4. REINFORCING PER ASTM A615 (GRADE 60).
    - CONE (As .12)
    - RISER/WALLS (As .12)
    - FLOOR (As .31) #5 BARS AT 12" C.C.E.W.

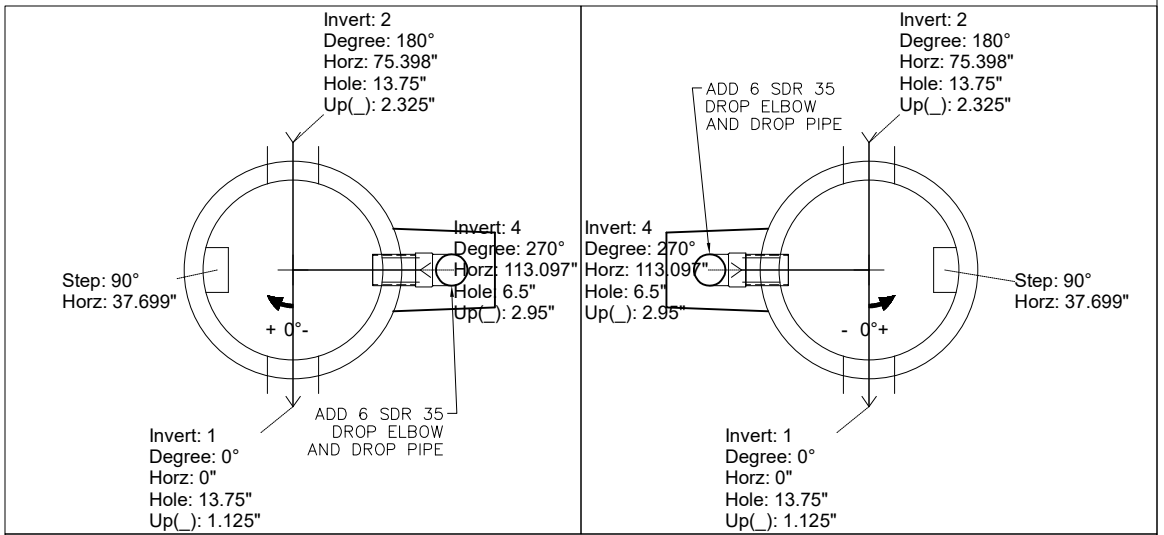
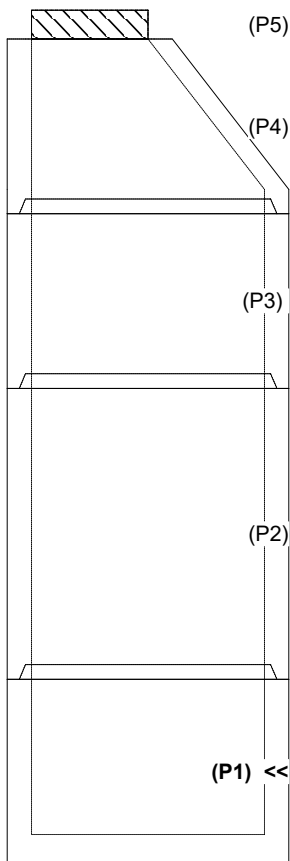
Structure Total: 13811 lb

Rim: 542.65' Rim to Invert: 14' Slack: 0" Sump: 2" Step Position: 90°

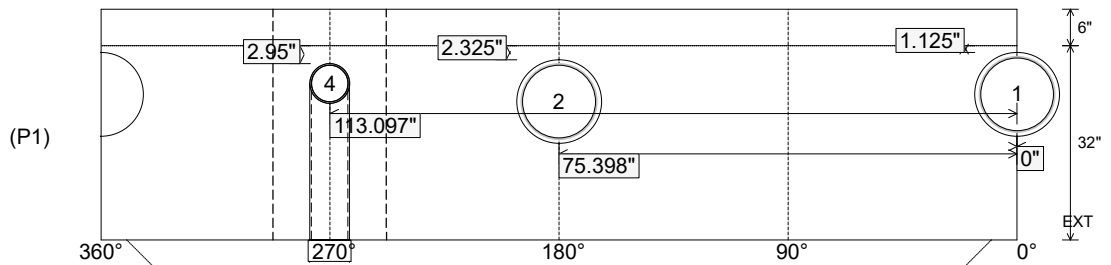
Position	Elev	Angle	Ext. (cw)	Pipe	Pipe OD	Connector	Hole	Horz Size	Up ( )	Offset
Invert 1	528.65'	0°	0"	12" PVC SDR35	12.5"	A-Lok 0410	13.75"	13.945"	1.125"	0"
Invert 2	528.75'	180°	91.106"	12" PVC SDR35	12.5"	A-Lok 0410	13.75"	13.945"	2.325"	0"
Invert 3										
Invert 4	528.75'	270°	136.659"	6" PVC SDR35	6.25"	Drop Elbow 6" PVC	6.5"	6.52"	2.95"	0"
Invert 5										
Invert 6										
Invert 7										
Invert 8										

RIGHT-SIDE UP VIEW (int. dimensions)

UPSIDE-DOWN VIEW (int. dimensions)



INSIDE WALL DIMENSIONS



Coating (Int):  
 Coating (Ext):

Seam Up: Tongue  
 Seam Dn: n/a

Wall Thickness: 5"  
 Floor Height: 6"

Height (Int): 32"  
 Height (Ext): 38"

Weight (Net): 3426 lb  
 Volume (Net): 0.88cu.yd

Job Name: 26-1453 Clarksville, TN SPC13A  
 Job Location: Clarksville, TN  
 Contractor: Cleary Construction, Inc.

Plant: Beaver Dam

Tech: J. Coppage

4/7/2026 10:37:25 AM

PC: C. Goff



**Structure ID: PS-MH-004-5SS-MHD**

**P1 MH048BAVF-DCDARED**

**MH BASE w/DROP Cust. Ht/ConBlock-CDA Red**

- P5) 24" - CASTING HEIGHT - 6"
- P4) 48" - ECC CONE w/ 24" HOLE, w/ConBlock-CDA Red - 36"
- P3) 48" - MH RISER w/DROP/ConBlock-CDA Red - 36"
- P2) 48" - MH RISER w/DROP/ConBlock-CDA Red - 60"
- P1) 48" - MH BASE w/DROP Cust. Ht/ConBlock-CDA Red - 32"
- 1) JOINT WRAP - 0.065"x6"x50' CONSEAL CS212
- 1) JOINT WRAP PRIMER - CONSEAL CS-75 (1 gal.)
- 1) 48" - MH INVERT CHANNEL w/ConBlock-CDA Red - FULL HEIGHT
- 3) 48" - Conseal CS-102 1.00" (Double)
- 2) A-Lok - 0410
- 1) Drop Tee - 6" PVC
- 1) Drop Elbow - 6" PVC
- 14) MH Step ML-10-TDS-NCR - 10"

- Structure Notes:**
1. JBS-1155 SANITARY PROVIDED BY ICAST.
  2. PER ASTM C478 SPECIFICATIONS.
  3. CONCRETE = 4,000 PSI AT 28 DAYS.
  4. REINFORCING PER ASTM A615 (GRADE 60).
    - CONE (As .12)
    - RISER/WALLS (As .12)
    - FLOOR (As .31) #5 BARS AT 12" C.C.E.W.

**INVERT CHANNEL DRAWING  
 FULL HEIGHT INVERT**

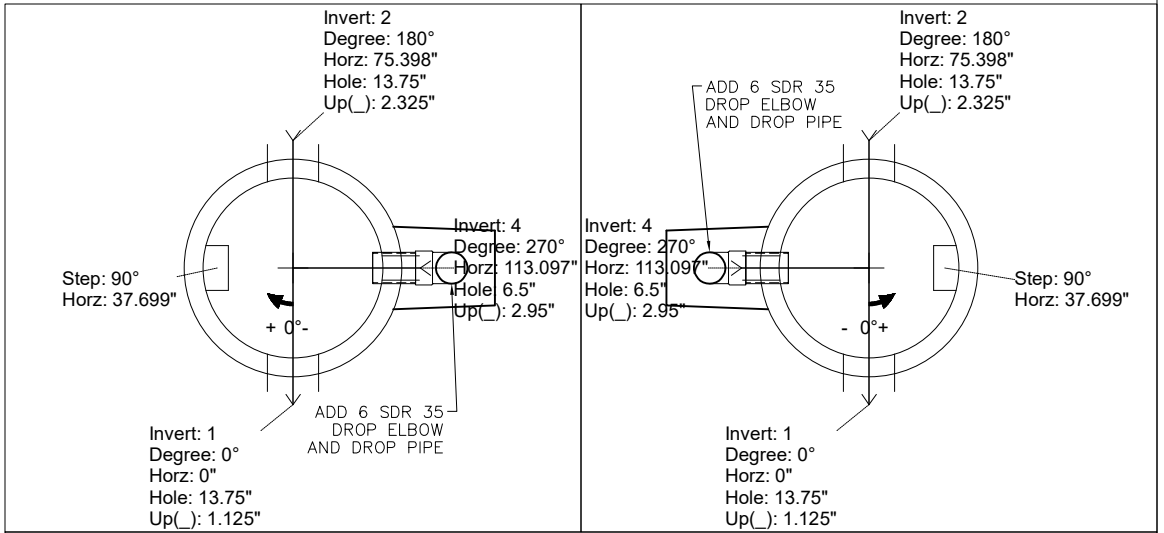
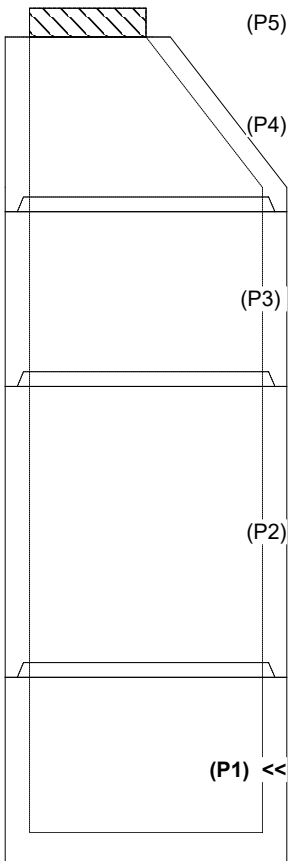
Structure Total: 13811 lb

Rim: 542.65' Rim to Invert: 14' Slack: 0" Sump: 2" Step Position: 90°

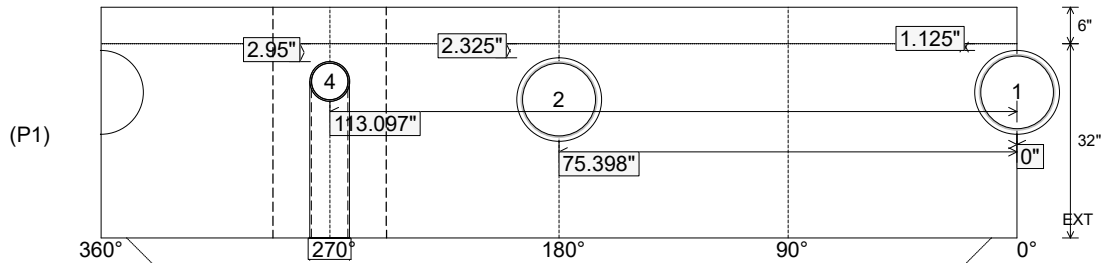
Position	Elev	Angle	Ext. (cw)	Pipe	Pipe OD	Connector	Hole	Horz Size	Up ( )	Offset
Invert 1	528.65'	0°	0"	12" PVC SDR35	12.5"	A-Lok 0410	13.75"	13.945"	1.125"	0"
Invert 2	528.75'	180°	91.106"	12" PVC SDR35	12.5"	A-Lok 0410	13.75"	13.945"	2.325"	0"
Invert 3										
Invert 4	528.75'	270°	136.659"	6" PVC SDR35	6.25"	Drop Elbow 6" PVC	6.5"	6.52"	2.95"	0"
Invert 5										
Invert 6										
Invert 7										
Invert 8										

RIGHT-SIDE UP VIEW (int. dimensions)

UPSIDE-DOWN VIEW (int. dimensions)



INSIDE WALL DIMENSIONS



Coating (Int):  
 Coating (Ext):

Seam Up: Tongue  
 Seam Dn: n/a

Wall Thickness: 5"  
 Floor Height: 6"

Height (Int): 32"  
 Height (Ext): 38"

Weight (Net): 3426 lb  
 Volume (Net): 0.88cu.yd