

**Job Name: 26-1453 Clarksville, TN SPC13A**  
**Job Location: Clarksville, TN**  
**Contractor: Cleary Construction, Inc.**

PC: C. Goff  
 TECH: J. Coppage  
 Plant: Beaver Dam



Structure ID: **PS-MH-001-2SS-MH**

Spec: Sanitary  
 Type: SAN.MH w/ConBlock-CDA Red  
 Size: 48"

Rim: 543.49'  
 Invert: 526.73'  
 Rim to Invert: 16.76'

Sump: 2"  
 Floor (Top): 526.563'  
 Floor Height: 6"

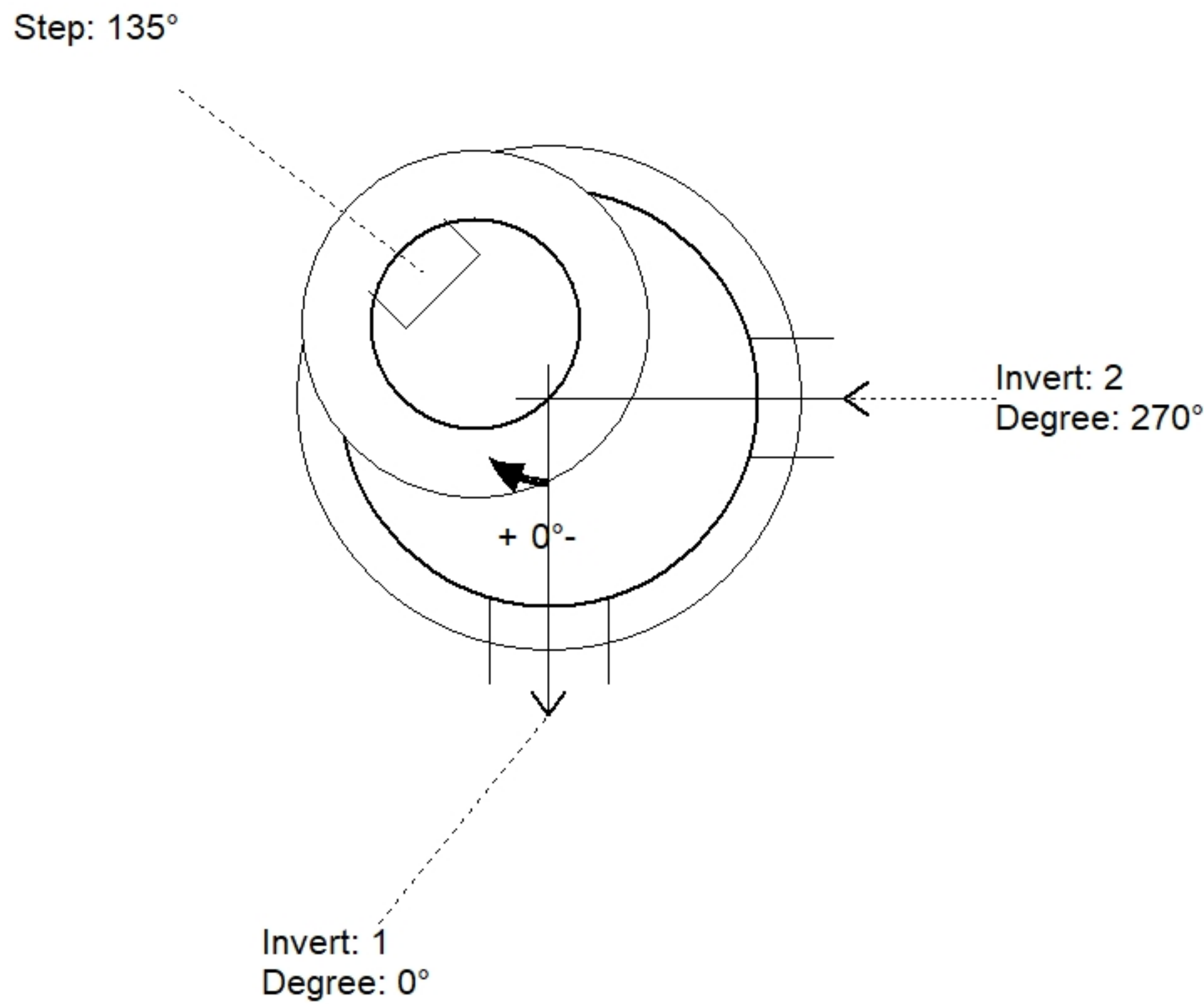
Floor (Bot): 526.063'  
 Overall Height: 17.333'  
 Slack: 1.12"

**Structure Notes:**

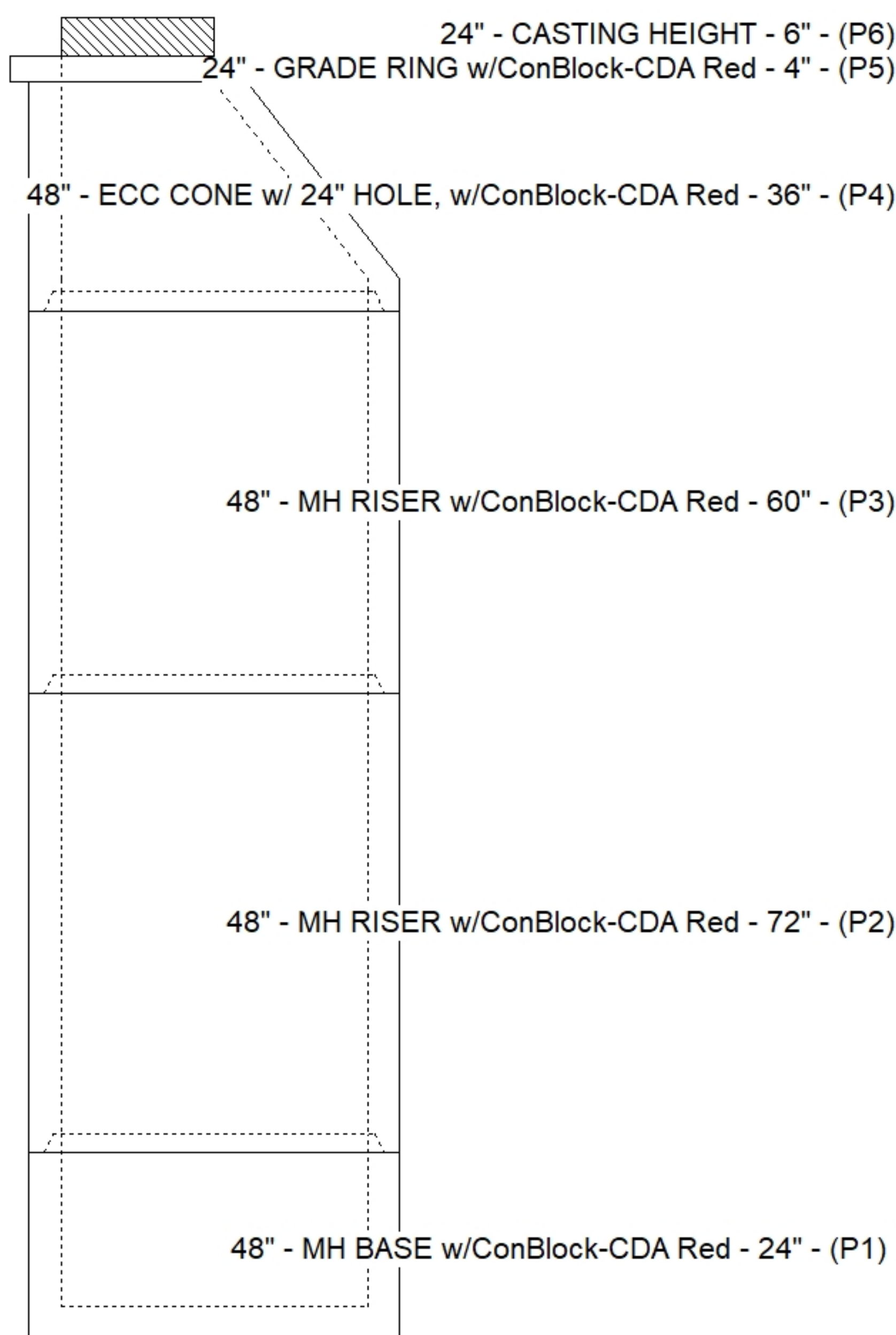
1. JBS-1155 SANITARY PROVIDED BY ICAST.
2. PER ASTM C478 SPECIFICATIONS.
3. CONCRETE = 4,000 PSI AT 28 DAYS.
4. REINFORCING PER ASTM A615 (GRADE 60).
  - CONE (As .12)
  - RISER/WALLS (As .12)
  - FLOOR (As .31) #5 BARS AT 12" C.C.E.W.

**STRUCTURE SUMMARY:**

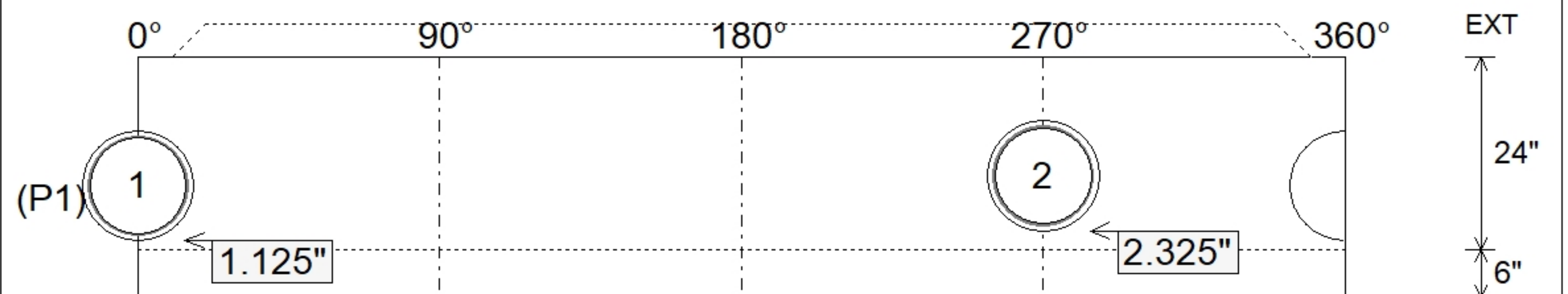
P6) 24" - CASTING HEIGHT - 6"	0 lb
P5) 24" - GRADE RING w/ConBlock-CDA Red - 4"	270 lb
P4) 48" - ECC CONE w/ 24" HOLE, w/ConBlock-CDA Red - 36"	2251 lb
P3) 48" - MH RISER w/ConBlock-CDA Red - 60"	4192 lb
P2) 48" - MH RISER w/ConBlock-CDA Red - 72"	5030 lb
P1) 48" - MH BASE w/ConBlock-CDA Red - 24"	2881 lb
1) JOINT WRAP - 0.065"x6"x50' CONSEAL CS212	0 lb
1) JOINT WRAP PRIMER - CONSEAL CS-75 (1 gal.)	0 lb
1) 48" - MH INVERT CHANNEL w/ConBlock-CDA Red - FULL HEIGHT	1440 lb
3) 48" - Conseal CS-102 1.00" (Double)	0 lb
2) A-Lok - 0410	2 lb
16) MH Step ML-10-TDS-NCR - 10"	0 lb
<b>Structure Total:</b>	<b>16065 lb</b>



Position	Elev	Angle	Pipe	Pipe OD	Hole	Connector	Up (")	Ref
Rim	543.49'							
Reducer								
Invert 1	526.73'	0°	12" PVC SDR35	12.5"	13.75"	A-Lok 0410	1.125"	P1
Invert 2	526.83'	270°	12" PVC SDR35	12.5"	13.75"	A-Lok 0410	2.325"	P1
Invert 3								
Invert 4								
Invert 5								
Invert 6								
Invert 7								
Invert 8								



**Default - Interior Dimensions**



Submittal Drawing  
 4/8/2026 8:08:08 AM

SUBMITTAL  
 APPROVED BY: