

Job Name: 26-1453 Clarksville, TN SPC13A
 Job Location: Clarksville, TN
 Contractor: Cleary Construction, Inc.

Plant: Beaver Dam

Tech: J. Coppage

4/7/2026 10:37:59 AM

PC: C. Goff



Structure ID: PS-MH-001-2SS-MH

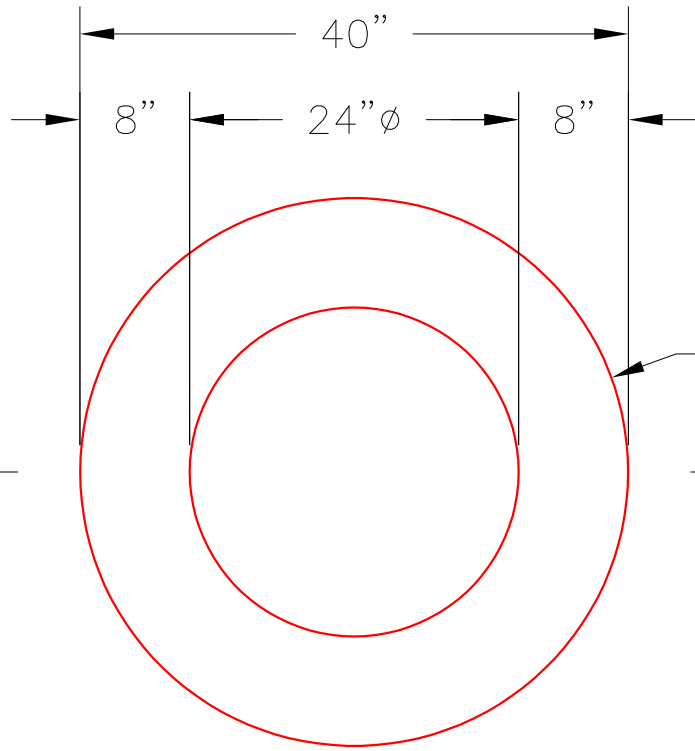
P5 GR4CDARED

GRADE RING w/ConBlock-CDA Red

- P6) 24" - CASTING HEIGHT - 6"
- P5) 24" - GRADE RING w/ConBlock-CDA Red - 4"
- P4) 48" - ECC CONE w/ 24" HOLE, w/ConBlock-CDA Red - 36"
- P3) 48" - MH RISER w/ConBlock-CDA Red - 60"
- P2) 48" - MH RISER w/ConBlock-CDA Red - 72"
- P1) 48" - MH BASE w/ConBlock-CDA Red - 24"
- 1) JOINT WRAP - 0.065"x6"x50' CONSEAL CS212
- 1) JOINT WRAP PRIMER - CONSEAL CS-75 (1 gal.)
- 1) 48" - MH INVERT CHANNEL w/ConBlock-CDA Red - FULL HEIGHT
- 3) 48" - Conseal CS-102 1.00" (Double)
- 2) A-Lok - 0410
- 16) MH Step ML-10-TDS-NCR - 10"

0 lb	Structure Notes:
270 lb	1. JBS-1155 SANITARY PROVIDED BY ICAST.
2251 lb	2. PER ASTM C478 SPECIFICATIONS.
4192 lb	3. CONCRETE = 4,000 PSI AT 28 DAYS.
5030 lb	4. REINFORCING PER ASTM A615 (GRADE 60).
2881 lb	- CONE (As .12)
0 lb	- RISER/WALLS (As .12)
0 lb	- FLOOR (As .31) #5 BARS AT 12" C.C.E.W.
1440 lb	
0 lb	
2 lb	
0 lb	

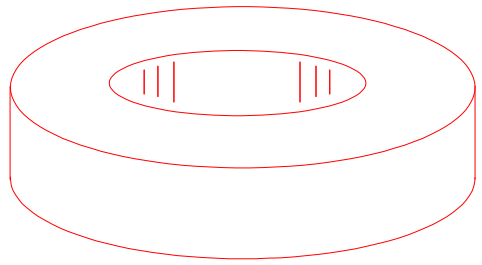
Structure Total:	16065 lb



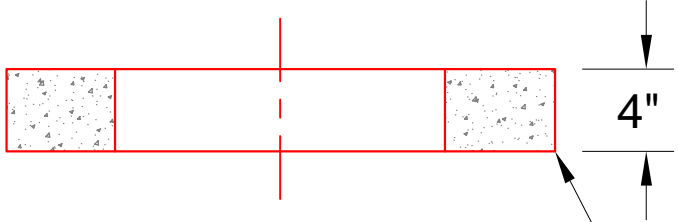
NOTES:

1. GRADE RINGS MEET OR EXCEED THE FOLLOWING SPECIFICATIONS:
 -CONCRETE: 4,000 PSI @ 28 DAYS.
 -REINFORCING: (1) #3 HOOP CENTERED (GRADE 60)
2. CONBLOCK-CDA RED ADMIXTURE REQUIRED

CONBLOCK-CDA RED ADMIXTURE REQUIRED



ISOMETRIC VIEW



SECTION A-A

CONBLOCK-CDA RED ADMIXTURE REQUIRED

Coating (Int): Coating (Ext):	Seam Up: Flat Seam Dn: Flat	Wall Thickness: 8"	Height (Ext): 4"	Weight (Net): 270 lb Volume (Net): 0.07cu.yd
----------------------------------	--------------------------------	--------------------	------------------	---