

Job Name: 26-1453 Clarksville, TN SPC13A  
 Job Location: Clarksville, TN  
 Contractor: Cleary Construction, Inc.

Plant: Beaver Dam

Tech: J. Coppage

4/7/2026 10:37:24 AM

PC: C. Goff



**Structure ID: PS-MH-001-2SS-MH**

**P1 MH048BA24CDARED**

**MH BASE w/ConBlock-CDA Red**

- P6) 24" - CASTING HEIGHT - 6"
- P5) 24" - GRADE RING w/ConBlock-CDA Red - 4"
- P4) 48" - ECC CONE w/ 24" HOLE, w/ConBlock-CDA Red - 36"
- P3) 48" - MH RISER w/ConBlock-CDA Red - 60"
- P2) 48" - MH RISER w/ConBlock-CDA Red - 72"
- P1) 48" - MH BASE w/ConBlock-CDA Red - 24"
- 1) JOINT WRAP - 0.065"x6"x50' CONSEAL CS212
- 1) JOINT WRAP PRIMER - CONSEAL CS-75 (1 gal.)
- 1) 48" - MH INVERT CHANNEL w/ConBlock-CDA Red - FULL HEIGHT
- 3) 48" - Conseal CS-102 1.00" (Double)
- 2) A-Lok - 0410
- 16) MH Step ML-10-TDS-NCR - 10"

- Structure Notes:**
1. JBS-1155 SANITARY PROVIDED BY ICAST.
  2. PER ASTM C478 SPECIFICATIONS.
  3. CONCRETE = 4,000 PSI AT 28 DAYS.
  4. REINFORCING PER ASTM A615 (GRADE 60).
    - CONE (As .12)
    - RISER/WALLS (As .12)
    - FLOOR (As .31) #5 BARS AT 12" C.C.E.W.

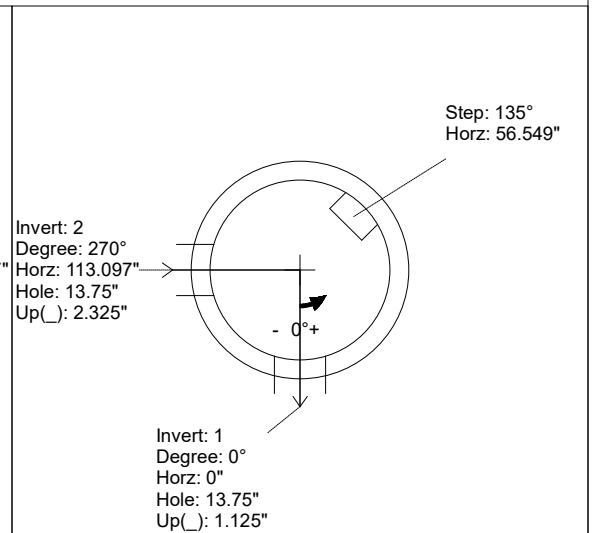
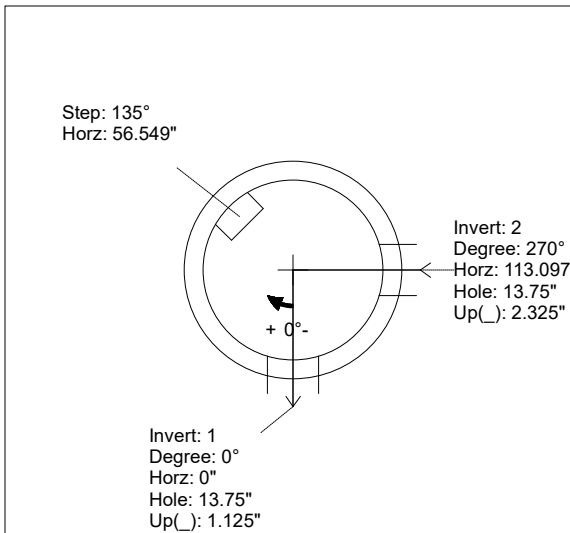
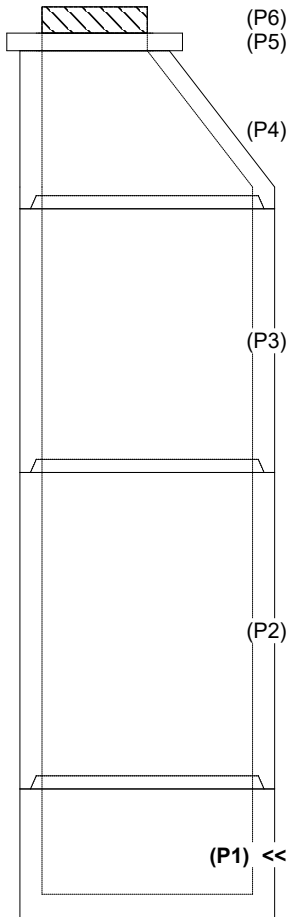
0 lb  
 270 lb  
 2251 lb  
 4192 lb  
 5030 lb  
 2881 lb  
 0 lb  
 0 lb  
 1440 lb  
 0 lb  
 2 lb  
 0 lb  
 -----  
 Structure Total: 16065 lb

Rim: 543.49' Rim to Invert: 16.76' Slack: 1.12" Sump: 2" Step Position: 135°

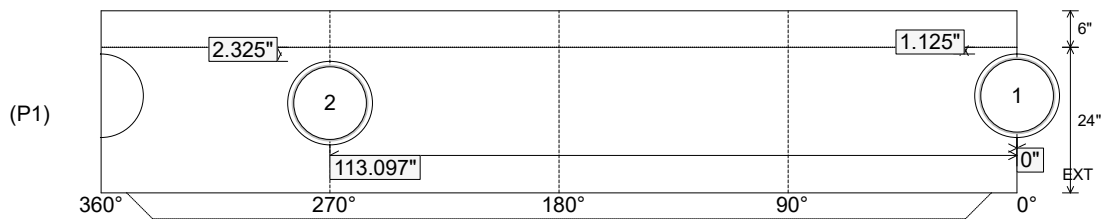
Position	Elev	Angle	Ext. (cw)	Pipe	Pipe OD	Connector	Hole	Horz Size	Up (↓)	Offset
Invert 1	526.73'	0°	0"	12" PVC SDR35	12.5"	A-Lok 0410	13.75"	13.945"	1.125"	0"
Invert 2	526.83'	270°	136.659"	12" PVC SDR35	12.5"	A-Lok 0410	13.75"	13.945"	2.325"	0"
Invert 3										
Invert 4										
Invert 5										
Invert 6										
Invert 7										
Invert 8										

RIGHT-SIDE UP VIEW (int. dimensions)

UPSIDE-DOWN VIEW (int. dimensions)



INSIDE WALL DIMENSIONS



Coating (Int):  
 Coating (Ext):

Seam Up: Tongue  
 Seam Dn: n/a

Wall Thickness: 5"  
 Floor Height: 6"

Height (Int): 24"  
 Height (Ext): 30"

Weight (Net): 2881 lb  
 Volume (Net): 0.74cu.yd

Job Name: 26-1453 Clarksville, TN SPC13A  
 Job Location: Clarksville, TN  
 Contractor: Cleary Construction, Inc.

Plant: Beaver Dam

Tech: J. Coppage

4/7/2026 10:37:24 AM

PC: C. Goff



**Structure ID: PS-MH-001-2SS-MH**

**P1 MH048BA24CDARED**

**MH BASE w/ConBlock-CDA Red**

- P6) 24" - CASTING HEIGHT - 6"
- P5) 24" - GRADE RING w/ConBlock-CDA Red - 4"
- P4) 48" - ECC CONE w/ 24" HOLE, w/ConBlock-CDA Red - 36"
- P3) 48" - MH RISER w/ConBlock-CDA Red - 60"
- P2) 48" - MH RISER w/ConBlock-CDA Red - 72"
- P1) 48" - MH BASE w/ConBlock-CDA Red - 24"
- 1) JOINT WRAP - 0.065"x6"x50' CONSEAL CS212
- 1) JOINT WRAP PRIMER - CONSEAL CS-75 (1 gal.)
- 1) 48" - MH INVERT CHANNEL w/ConBlock-CDA Red - FULL HEIGHT
- 3) 48" - Conseal CS-102 1.00" (Double)
- 2) A-Lok - 0410
- 16) MH Step ML-10-TDS-NCR - 10"

- Structure Notes:**
1. JBS-1155 SANITARY PROVIDED BY ICAST.
  2. PER ASTM C478 SPECIFICATIONS.
  3. CONCRETE = 4,000 PSI AT 28 DAYS.
  4. REINFORCING PER ASTM A615 (GRADE 60).
- CONE (As .12)
  - RISER/WALLS (As .12)
  - FLOOR (As .31) #5 BARS AT 12" C.C.E.W.

**INVERT CHANNEL DRAWING  
 FULL HEIGHT INVERT**

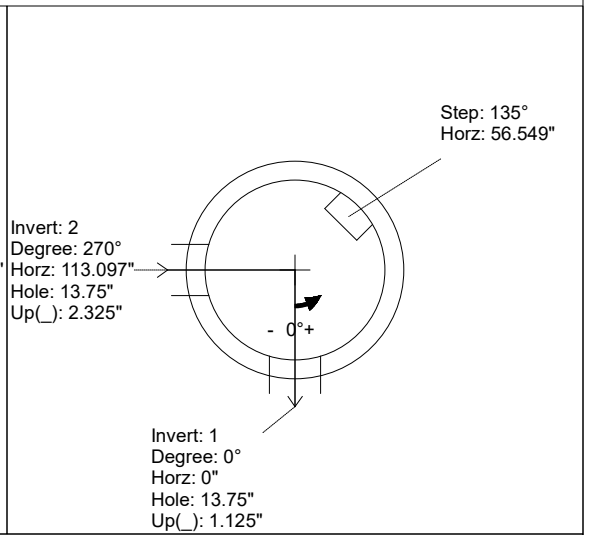
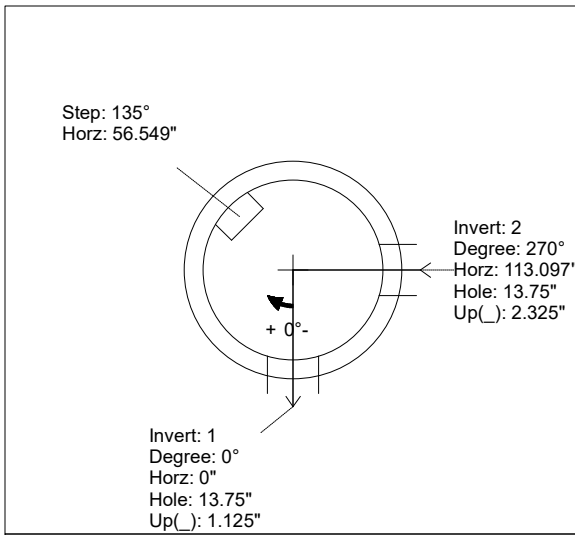
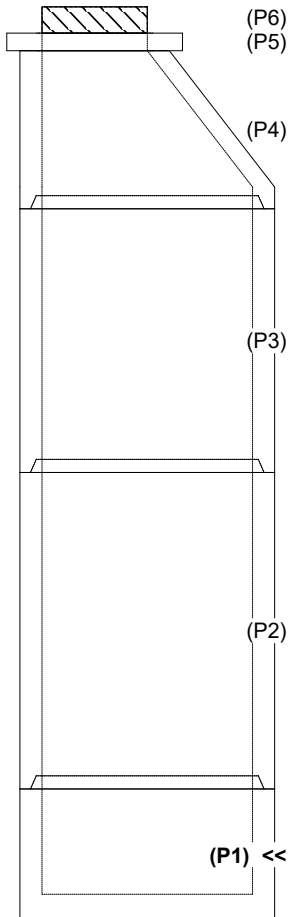
Structure Total: 16065 lb

Rim: 543.49' Rim to Invert: 16.76' Slack: 1.12" Sump: 2" Step Position: 135°

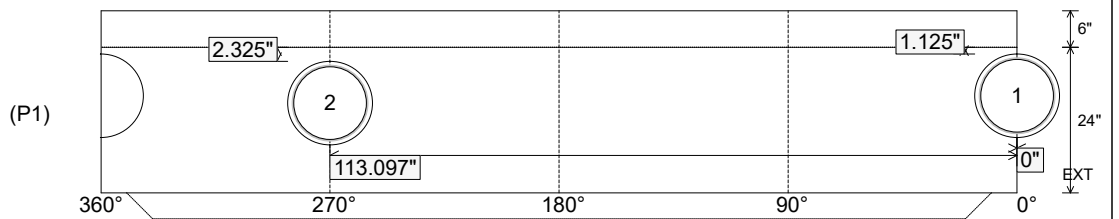
Position	Elev	Angle	Ext. (cw)	Pipe	Pipe OD	Connector	Hole	Horz Size	Up (↓)	Offset
Invert 1	526.73'	0°	0"	12" PVC SDR35	12.5"	A-Lok 0410	13.75"	13.945"	1.125"	0"
Invert 2	526.83'	270°	136.659"	12" PVC SDR35	12.5"	A-Lok 0410	13.75"	13.945"	2.325"	0"
Invert 3										
Invert 4										
Invert 5										
Invert 6										
Invert 7										
Invert 8										

RIGHT-SIDE UP VIEW (int. dimensions)

UPSIDE-DOWN VIEW (int. dimensions)



INSIDE WALL DIMENSIONS



Coating (Int):  
 Coating (Ext):

Seam Up: Tongue  
 Seam Dn: n/a

Wall Thickness: 5"  
 Floor Height: 6"

Height (Int): 24"  
 Height (Ext): 30"

Weight (Net): 2881 lb  
 Volume (Net): 0.74cu.yd