

Job Name: 26-1451 852981 Auto Zone 9385  
 Job Location: Louisville, KY  
 Contractor: Contech Engineering Solutions

Plant: Beaver Dam  
 3/2/2026 2:57:35 PM

Tech: S. Felletter  
 PC: T. Sekula



**Structure ID: 10-CS-4**

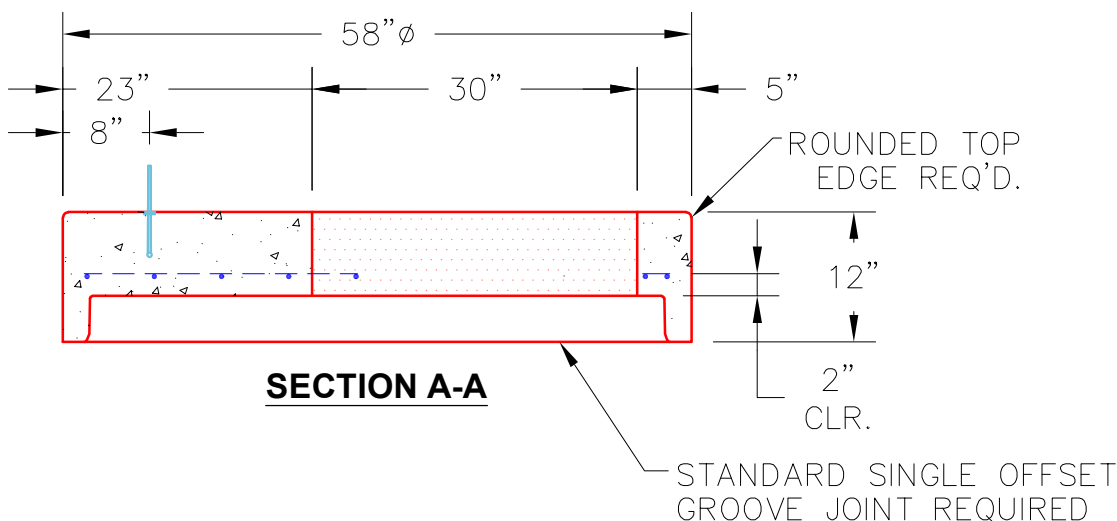
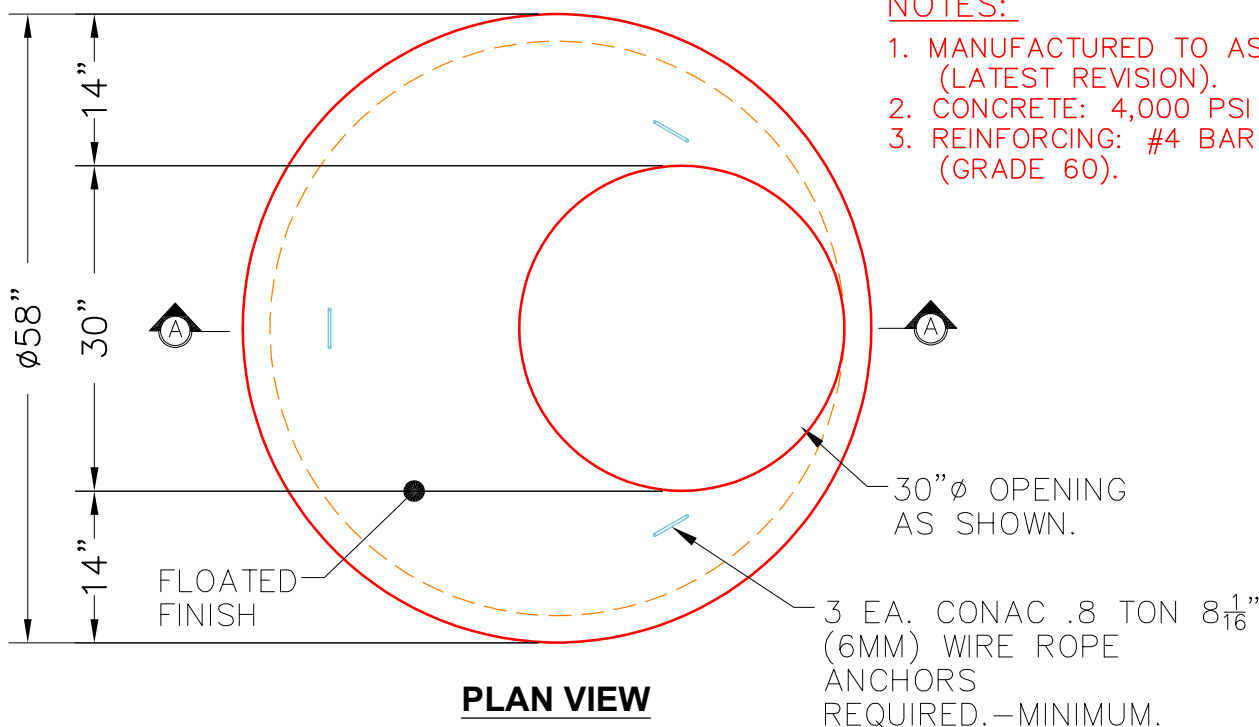
**P4 MH048LD12-30**

**MH FLAT LID w/30in ECC Hole F/G**

- P5) 30" - CASTING HEIGHT - 4"
- P4) 48" - MH FLAT LID w/30in ECC Hole F/G - 12"
- P3) 48" - MH RISER T/G - 12"
- P2) 48" - MH RISER T/G - 72"
- P1) 48" - MH BASE T/h - 18"
- 1) CVSTENCILING
- 1) ASSEMBLY REQUIRED
- 3) 48" - Conseal CS-102 1.00"
- 2) Hole - 32

0 lb  
 1413 lb  
 838 lb  
 4303 lb  
 2588 lb  
 0 lb  
 0 lb  
 0 lb  
 0 lb  
 -----  
 Structure Total: 9142 lb

Structure Notes:  
 4" CASTING BY OTHERS  
 LIFTING ANCHORS TO BE INSTALLED ON THE OUTSIDE OF THE STRUCTURE  
 ICAST TO INSTALL THE INTERNALS  
 CONTECH'S LOGO AS WELL AS THE INLET AND OUTLET MUST BE STENCILED ONTO THE STRUCTURE



Coating (Int):  
 Coating (Ext):

Seam Up: Flat  
 Seam Dn: Groove

Wall Thickness: 5"

Height (Ext): 12"

Weight (Net): 1413 lb  
 Volume (Net): 0.36cu.yd