

**Structure ID: 10-CS-4**

**P2 MH048RS72**

**MH RISER T/G**

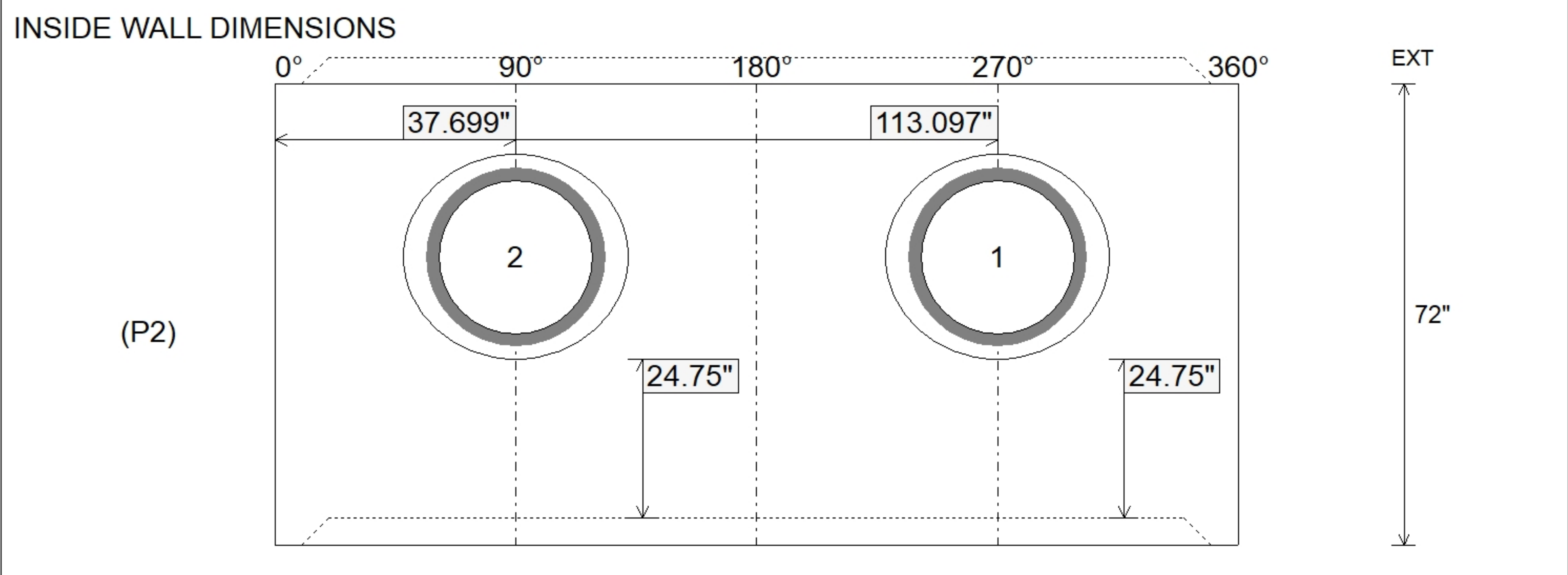
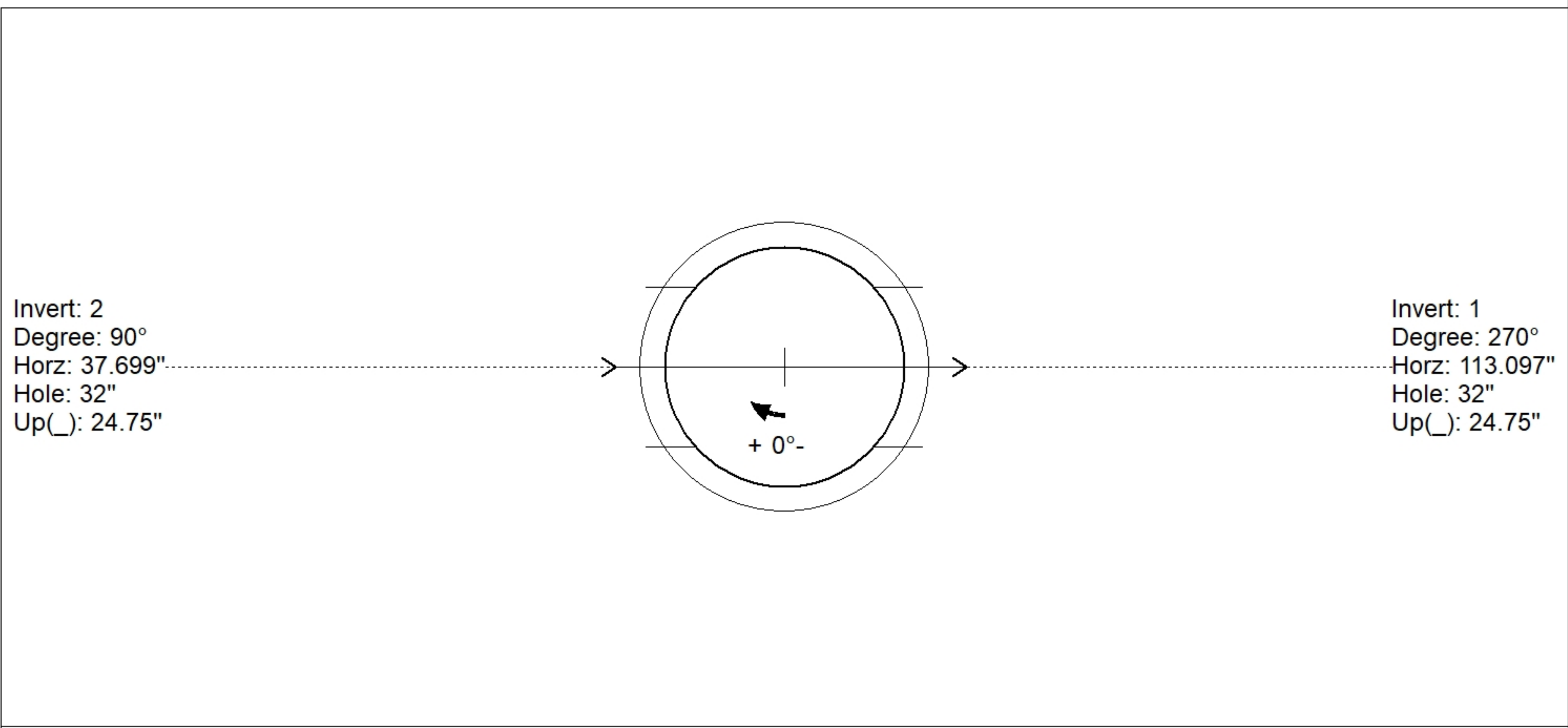
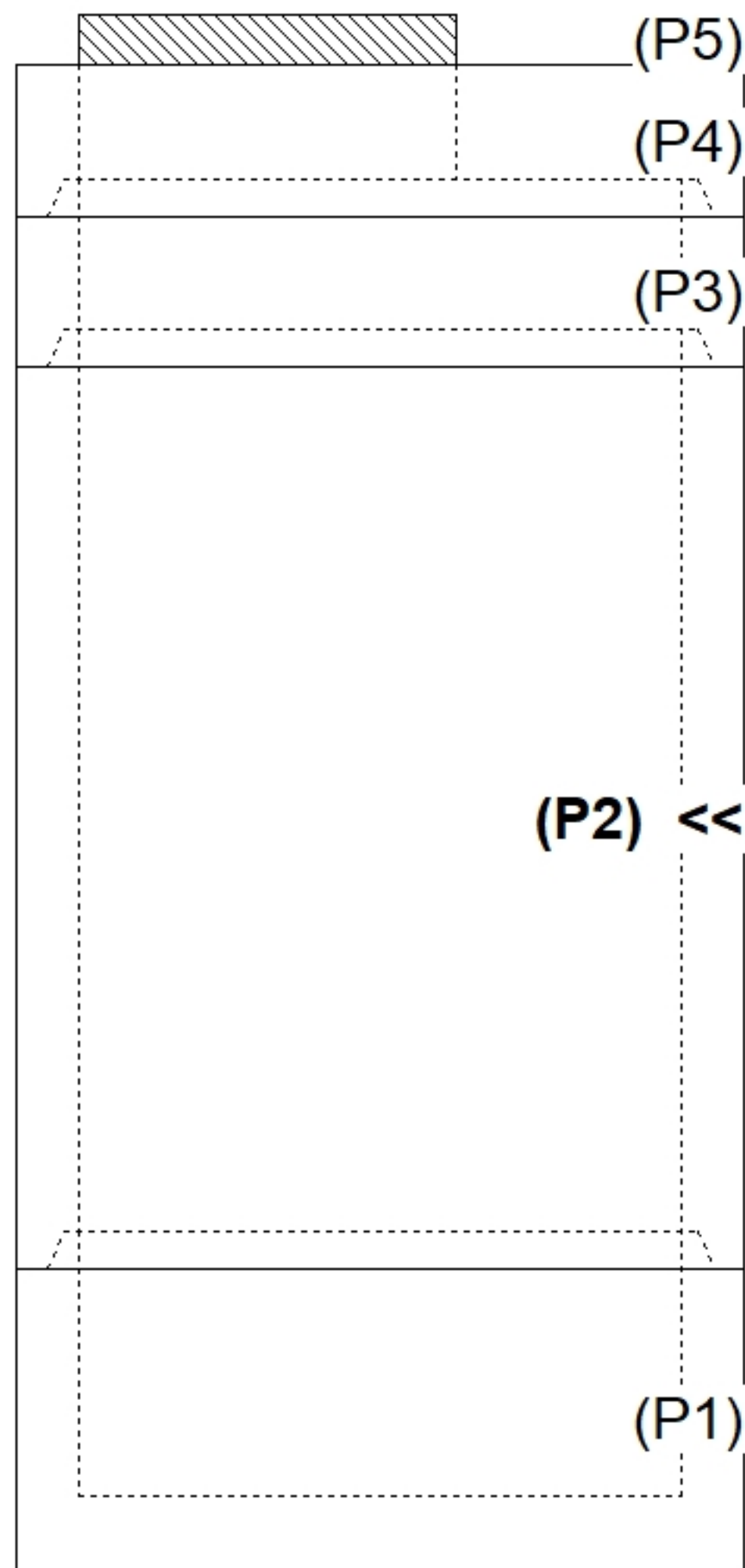
P5) 30" - CASTING HEIGHT - 4" P4) 48" - MH FLAT LID w/30in ECC Hole F/G - 12" P3) 48" - MH RISER T/G - 12" P2) 48" - MH RISER T/G - 72" P1) 48" - MH BASE T/n - 18" 1) CVSTENCILING 1) ASSEMBLY REQUIRED 3) 48" - Conseal CS-102 1.00" 2) Hole - 32	0 lb 1413 lb 838 lb 4303 lb 2588 lb 0 lb 0 lb 0 lb 0 lb 0 lb ----- Structure Total: 9142 lb
---	--

Structure Notes:  
 4" CASTING BY OTHERS  
  
 LIFTING ANCHORS TO BE INSTALLED ON THE OUTSIDE OF THE STRUCTURE  
  
 ICAST TO INSTALL THE INTERNALS  
  
 CONTECH'S LOGO AS WELL AS THE INLET AND OUTLET MUST BE STENCILED ONTO THE STRUCTURE

Rim: 455.5'    Rim to Invert: 6.1'    Slack: 6.2"    Sump: 51"    Step Position:

Position	Elev	Angle	Ext. (cw)	Pipe	Pipe OD	Connector	Hole	Horz Size	Up ( )	Offset
Invert 1	449.4'	270°	136.659"	24" HDPE	27.8"	Hole 32	32"	35.027"	24.75"	0"
Invert 2	449.4'	90°	45.553"	24" HDPE	27.8"	Hole 32	32"	35.027"	24.75"	0"
Invert 3										
Invert 4										
Invert 5										
Invert 6										
Invert 7										
Invert 8										

**RIGHT-SIDE UP VIEW (int. dimensions)**



Coating (Int): Coating (Ext):	Seam Up: Tongue Seam Dn: Groove	Wall Thickness: 5" Floor Height: 0"	Height (Int): 72" Height (Ext): 72"	Weight (Net): 4303 lb Volume (Net): 1.1cu.yd
----------------------------------	------------------------------------	--	--	---