

**Job Name: 26-1450 836600 South English Station**  
**Job Location: Louisville, KY**  
**Contractor: Contech Engineering Solutions**

PC: T. Sekula  
 TECH: S. Felletter  
 Plant: Beaver Dam



Structure ID: **10-CS-5**

Spec: Storm-Pipe Centered  
 Type: STM.MH  
 Size: 60"

Rim: 705.6'  
 Invert: 699.5'  
 Rim to Invert: 6.1'

Sump: 57"  
 Floor (Top): 694.75'  
 Floor Height: 8"

Floor (Bot): 694.083'  
 Overall Height: 10.583'  
 Slack: 11.2"

Structure Notes:  
 4" CASTING BY OTHERS

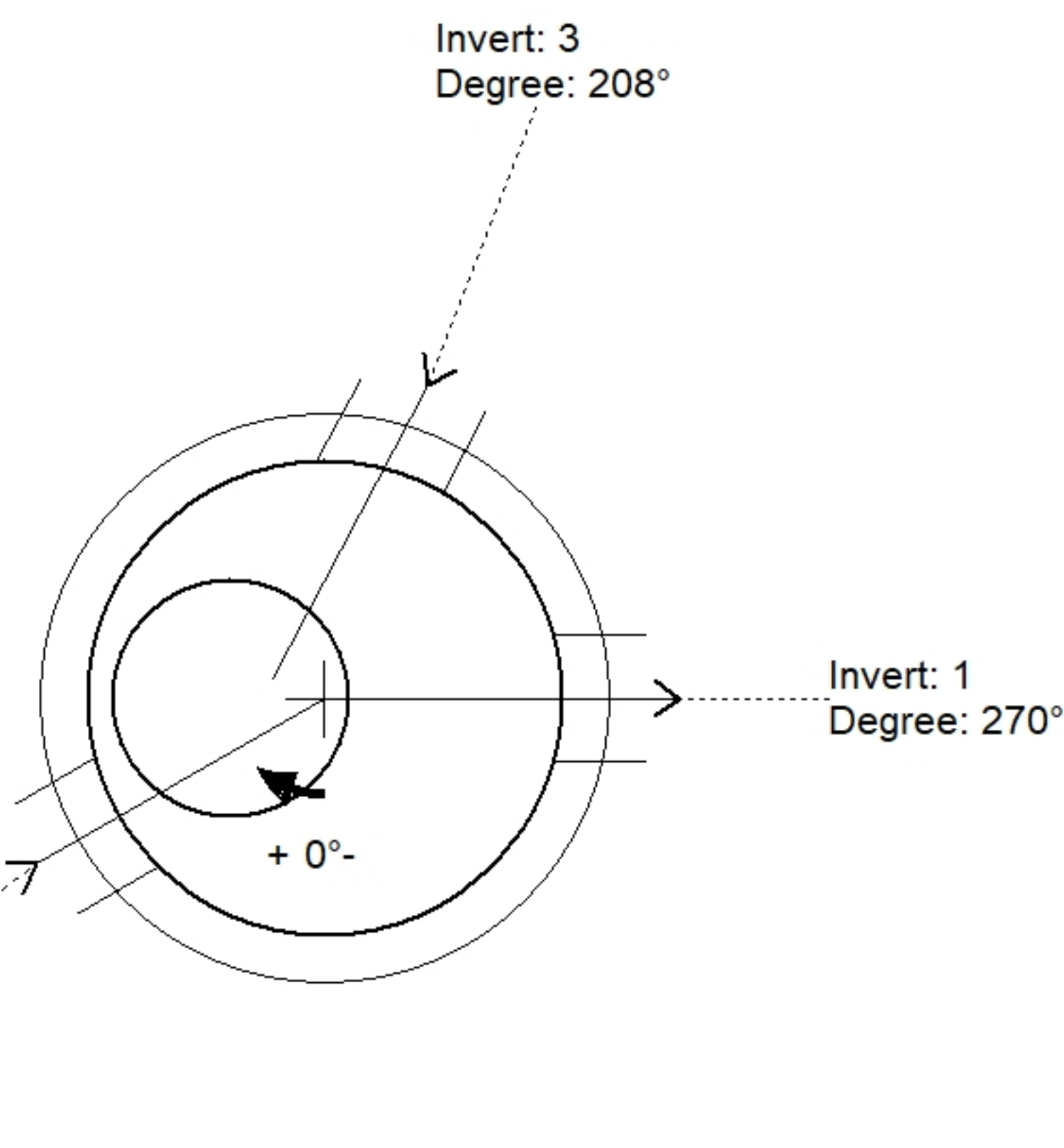
LIFTING ANCHORS TO BE INSTALLED  
 ON THE OUTSIDE OF THE STRUCTURE

ICAST TO INSTALL THE INTERNALS

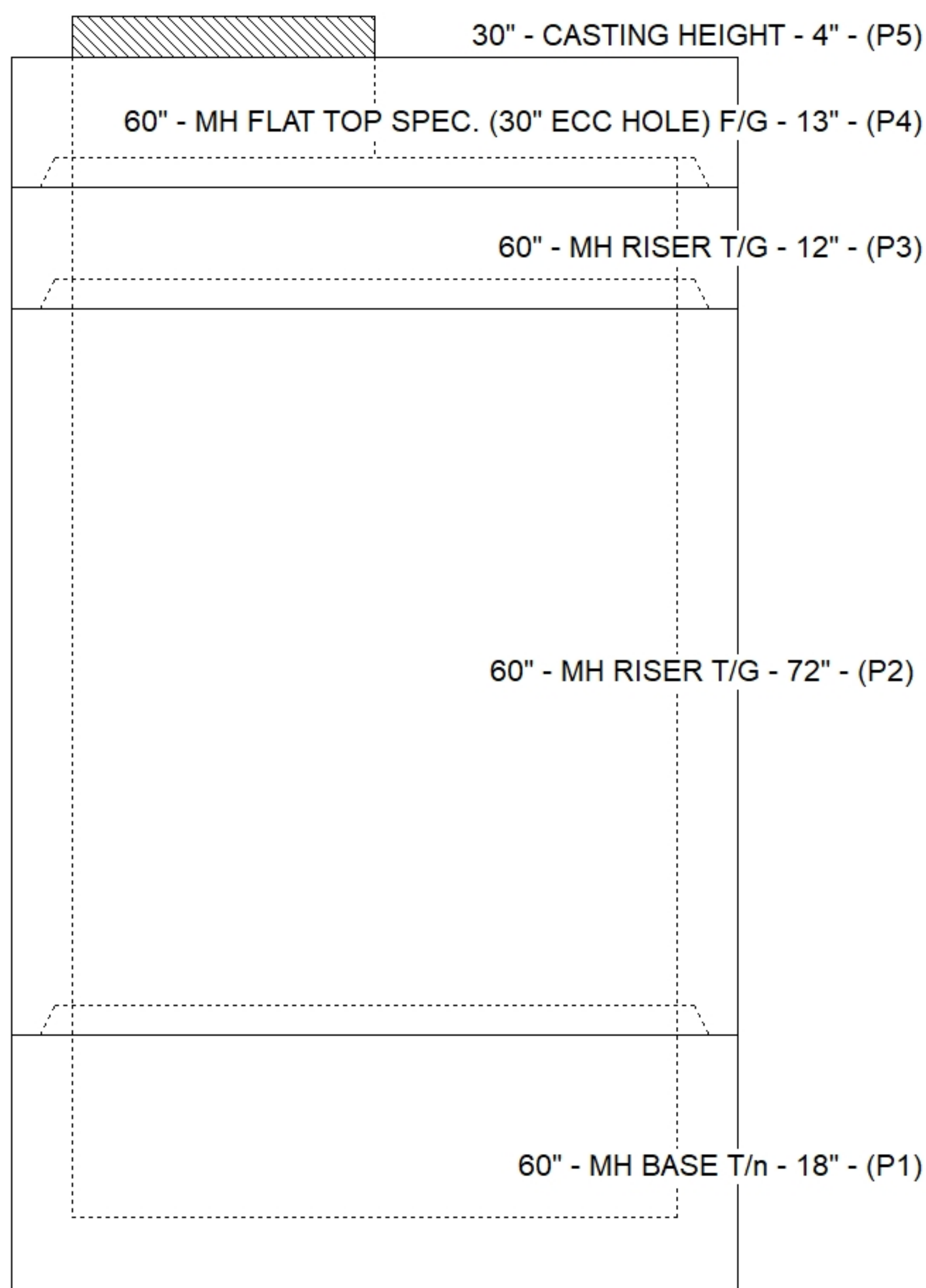
CONTECH'S LOGO AS WELL AS THE  
 INLET AND OUTLET MUST BE  
 STENCILED ONTO THE STRUCTURE

STRUCTURE SUMMARY:

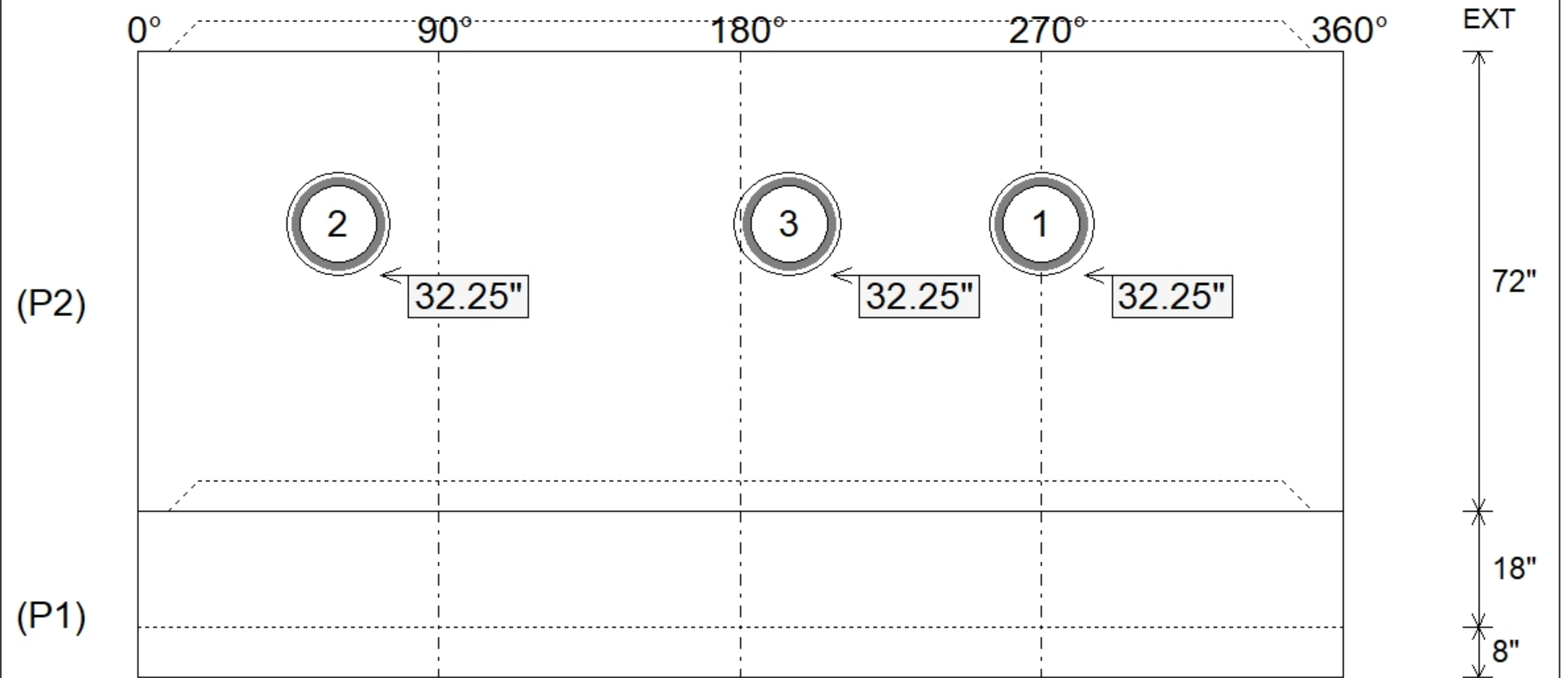
P5) 30" - CASTING HEIGHT - 4"	0 lb
P4) 60" - MH FLAT TOP SPEC. (30" ECC HOLE) F/G - 13"	2589 lb
P3) 60" - MH RISER T/G - 12"	1253 lb
P2) 60" - MH RISER T/G - 72"	7207 lb
P1) 60" - MH BASE T/n - 18"	4612 lb
1) CVSTENCILING	0 lb
1) ASSEMBLY REQUIRED	0 lb
3) 60" - Conseal CS-102 1.00"	0 lb
3) Hole - 16	0 lb
<b>Structure Total:</b>	<b>15661 lb</b>



Position	Elev	Angle	Pipe	Pipe OD	Hole	Connector	Up (L)	Ref
Rim	705.6'							
Reducer								
Invert 1	699.5'	270°	12" HDPE	14.5"	16"	Hole 16	32.25"	P2
Invert 2	699.5'	60°	12" HDPE	14.5"	16"	Hole 16	32.25"	P2
Invert 3	699.5'	208°	12" HDPE	14.5"	16"	Hole 16	32.25"	P2
Invert 4								
Invert 5								
Invert 6								
Invert 7								
Invert 8								



Default - Interior Dimensions



Submittal Drawing  
 3/3/2026 2:55:36 PM

SUBMITTAL  
 APPROVED BY: