

Structure ID: 10-CS-5

P1 MH060BA18

MH BASE T/n

P5) 30" - CASTING HEIGHT - 4" P4) 60" - MH FLAT TOP SPEC. (30" ECC HOLE) F/G - 13" P3) 60" - MH RISER T/G - 12" P2) 60" - MH RISER T/G - 72" P1) 60" - MH BASE T/n - 18" 1) CVSTENCILING 1) ASSEMBLY REQUIRED 3) 60" - Conseal CS-102 1.00" 3) Hole - 16	0 lb 2589 lb 1253 lb 7207 lb 4612 lb 0 lb 0 lb 0 lb 0 lb 0 lb ----- Structure Total: 15661 lb
--	--

Structure Notes:
 4" CASTING BY OTHERS

LIFTING ANCHORS TO BE INSTALLED ON THE OUTSIDE OF THE STRUCTURE

ICAST TO INSTALL THE INTERNALS

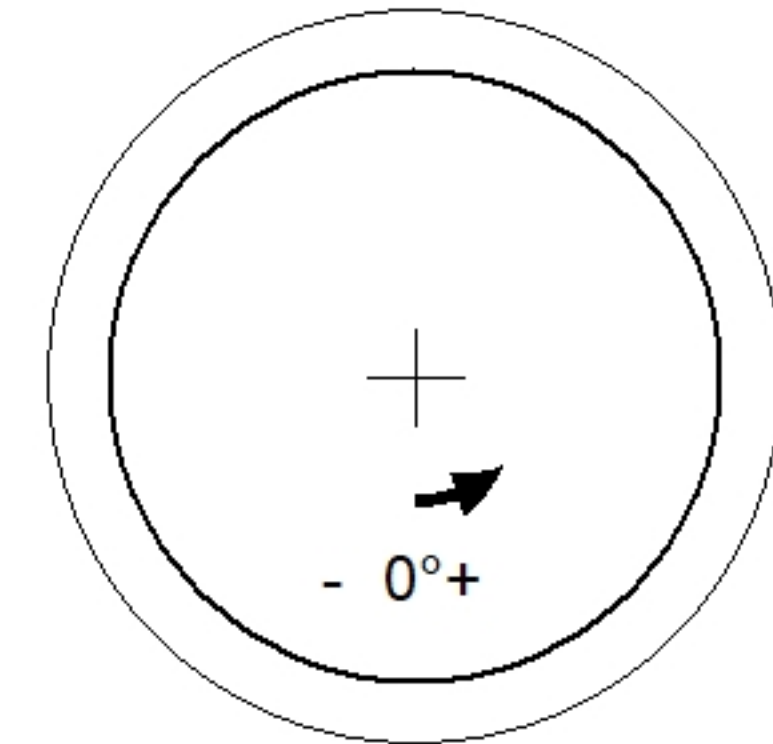
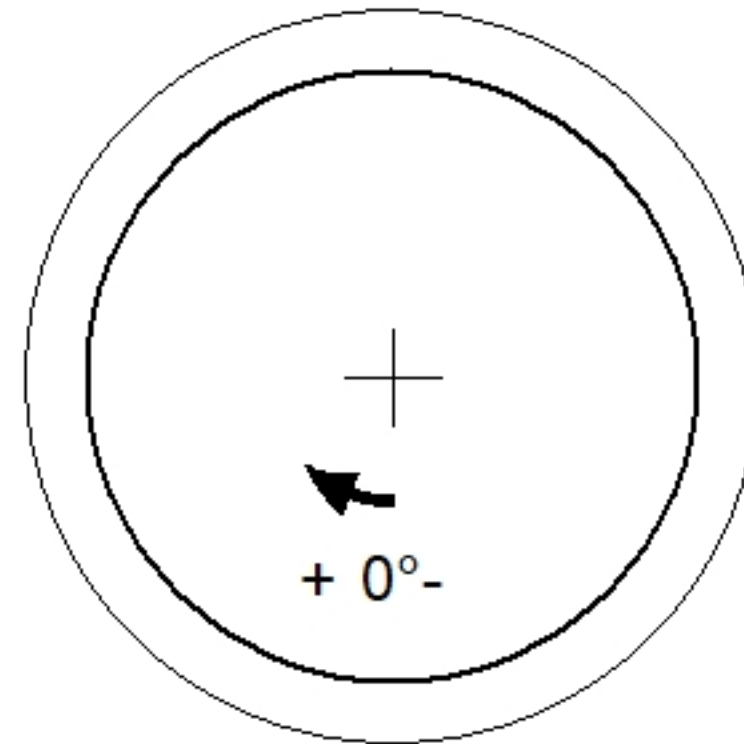
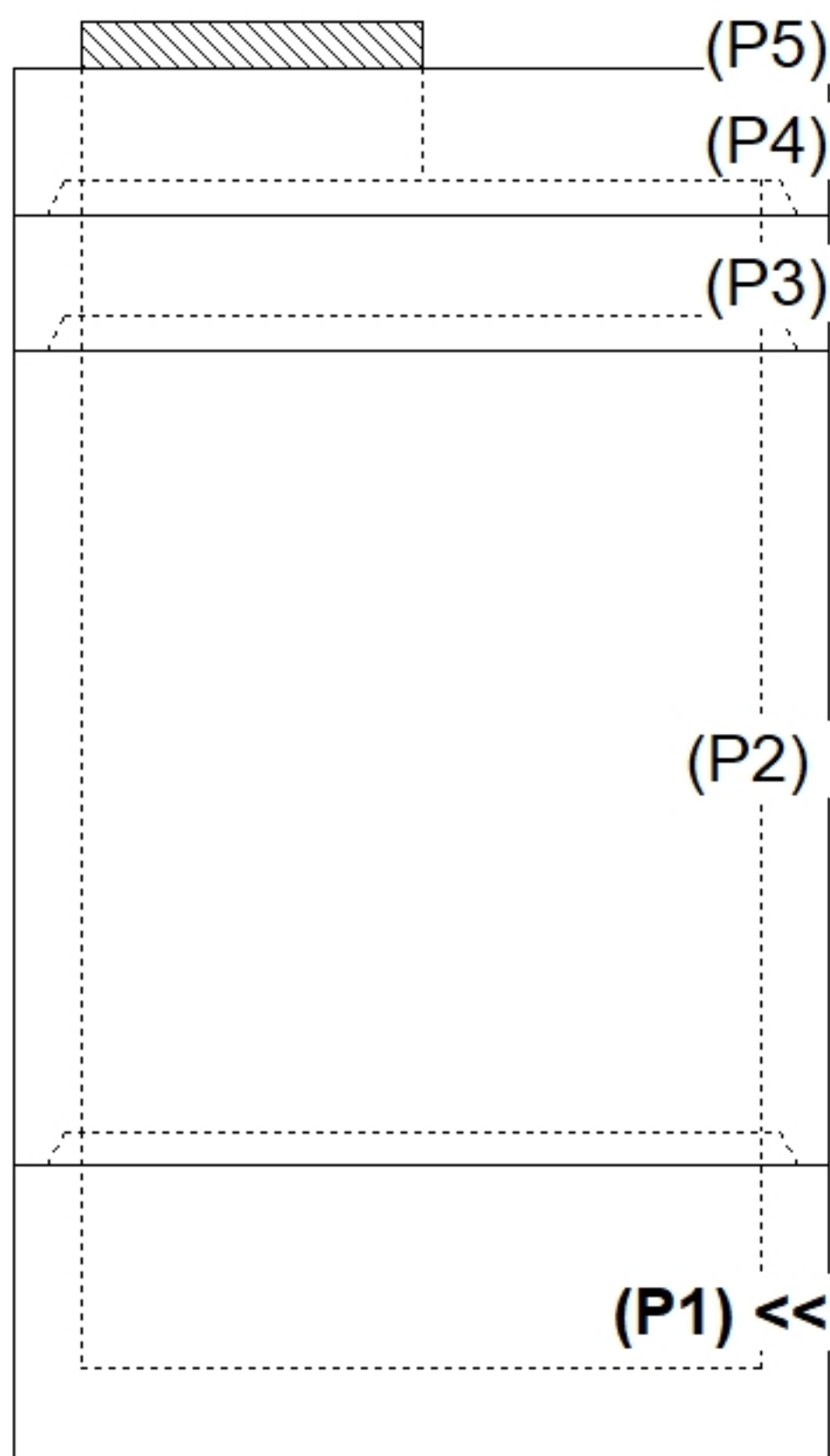
CONTECH'S LOGO AS WELL AS THE INLET AND OUTLET MUST BE STENCILED ONTO THE STRUCTURE

Rim: 705.6' Rim to Invert: 6.1' Slack: 11.2" Sump: 57" Step Position:

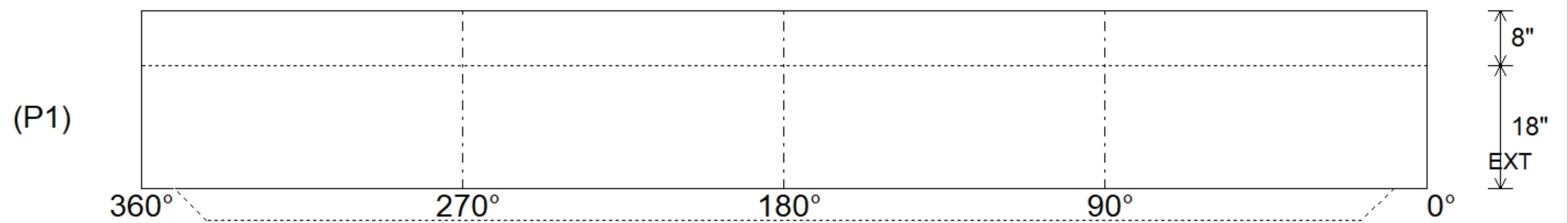
Position	Elev	Angle	Ext. (cw)	Pipe	Pipe OD	Connector	Hole	Horz Size	Up (L)	Offset
Invert 1										
Invert 2										
Invert 3										
Invert 4										
Invert 5										
Invert 6										
Invert 7										
Invert 8										

RIGHT-SIDE UP VIEW (int. dimensions)

UPSIDE-DOWN VIEW (int. dimensions)



INSIDE WALL DIMENSIONS



Coating (Int):	Seam Up: Tongue	Wall Thickness: 6"	Height (Int): 18"	Weight (Net): 4612 lb
Coating (Ext):	Seam Dn: n/a	Floor Height: 8"	Height (Ext): 26"	Volume (Net): 1.18cu.yd