

Job Name: 26-1439 ADS New Seneca High School  
 Job Location: Louisville, KY  
 Contractor: ADS Advanced Drainage Systems, Inc.

Plant: Beaver Dam  
 3/6/2026 12:31:56 PM

Tech: S. Felletter  
 PC: C. Goff



**Structure ID: WQU-24 (AR4PC)**

**P3 MH048RS72**

**MH RISER T/G**

- P5) 24" - CASTING HEIGHT - 7"
- P4) 48" - MH FLAT LID w/24" Center Hole F/G - 12"
- P3) 48" - MH RISER T/G - 72"
- P2) 48" - MH RISER T/G - 36"
- P1) 48" - MH BASE T/h - 24"
- 1) ASSEMBLY REQUIRED
- 1) CASTING - HOE MC-375 F/C Storm
- 3) 48" - Conseal CS-102 1.00"
- 2) Hole - 16

0 lb  
 1580 lb  
 4811 lb  
 2515 lb  
 3007 lb  
 0 lb  
 271 lb  
 0 lb  
 0 lb  
 -----  
 Structure Total: 12183 lb

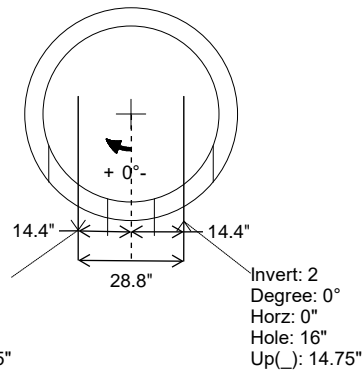
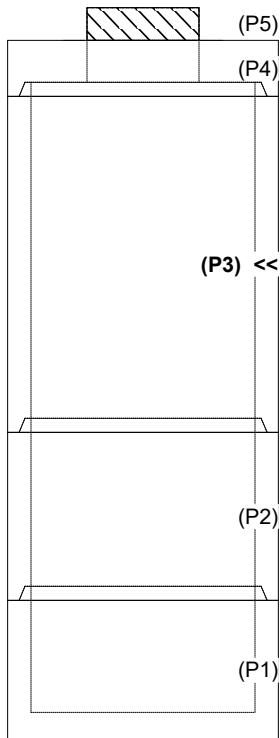
**Structure Notes:**  
 1. PER ASTM C478 SPECIFICATIONS.  
 2. CONCRETE = 4,000 PSI AT 28 DAYS.  
 3. NO INVERT CHANNEL.  
 4. CASTING BY ICAST (HOE MC-375 "STORM").  
 5. P2 & P3 RISERS TO BE MECHANICALLY ATTACHED BEFORE INTERNAL INSTALLATION/DELIVERY.  
 6. LIFTING ANCHORS TO BE INSTALLED ON THE OUTSIDE OF THE STRUCTURE.

REINFORCING PER ASTM A615 (GRADE 60).  
 - TOP SLAB (As .62) #5 BARS AT 6" C.C.E.W..  
 - RISER/WALLS (As .12)  
 - FLOOR (As .31) #5 BARS AT 12" C.C.E.W.

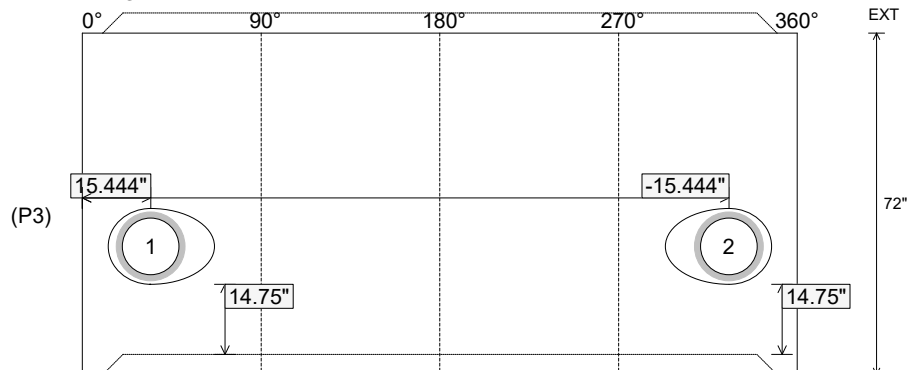
Rim: 483.25' Rim to Invert: 6.01' Slack: 2.12" Sump: 81" Step Position:

Position	Elev	Angle	Ext. (cw)	Pipe	Pipe OD	Connector	Hole	Horz Size	Up ( )	Offset
Invert 1	477.24'	0°	15.069"	12" HDPE	14.5"	Hole 16	16"	22.408"	14.75"	14.4"
Invert 2	477.24'	0°	-15.069"	12" HDPE	14.5"	Hole 16	16"	22.408"	14.75"	-14.4"
Invert 3										
Invert 4										
Invert 5										
Invert 6										
Invert 7										
Invert 8										

**RIGHT-SIDE UP VIEW (int. dimensions)**



**INSIDE WALL DIMENSIONS**



Coating (Int):  
 Coating (Ext):

Seam Up: Tongue  
 Seam Dn: Groove

Wall Thickness: 5"  
 Floor Height: 0"

Height (Int): 72"  
 Height (Ext): 72"

Weight (Net): 4811 lb  
 Volume (Net): 1.23cu.yd