

Structure ID: WQU-24 (AR4PC)

P2 MH048RS36 MH RISER T/G

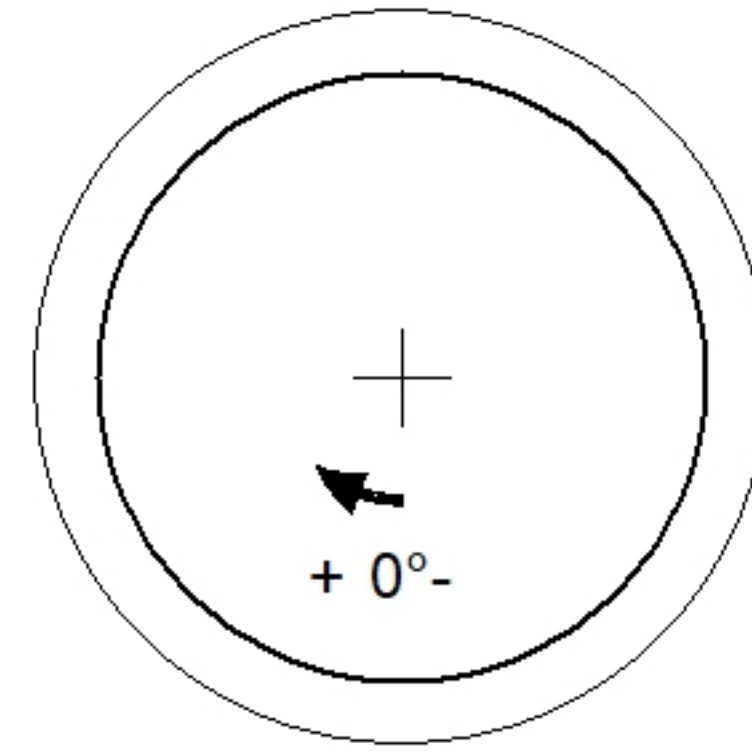
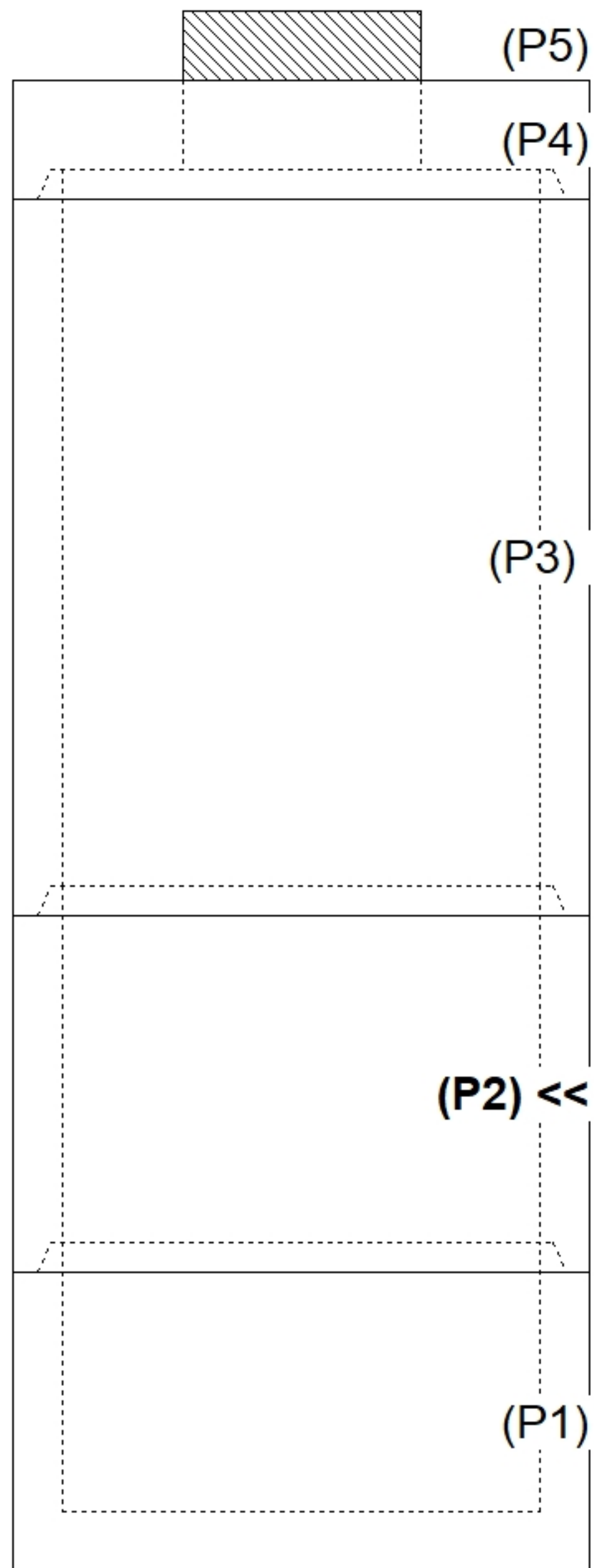
P5) 24" - CASTING HEIGHT - 7" P4) 48" - MH FLAT LID w/24" Center Hole F/G - 12" P3) 48" - MH RISER T/G - 72" P2) 48" - MH RISER T/G - 36" P1) 48" - MH BASE T/n - 24" 1) ASSEMBLY REQUIRED 1) CASTING - HOE MC-375 F/C Storm 3) 48" - Conseal CS-102 1.00" 2) Hole - 16	0 lb 1580 lb 4811 lb 2515 lb 3007 lb 0 lb 271 lb 0 lb 0 lb ----- 12183 lb	Structure Notes: 1. PER ASTM C478 SPECIFICATIONS. 2. CONCRETE = 4,000 PSI AT 28 DAYS. 3. NO INVERT CHANNEL. 4. CASTING BY ICAST (HOE MC-375 "STORM"). 5. P2 & P3 RISERS TO BE MECHANICALLY ATTACHED BEFORE INTERNAL INSTALLATION/DELIVERY. 6. LIFTING ANCHORS TO BE INSTALLED ON THE OUTSIDE OF THE STRUCTURE. REINFORCING PER ASTM A615 (GRADE 60). - TOP SLAB (As .62) #5 BARS AT 6" C.C.E.W.. - RISER/WALLS (As .12) - FLOOR (As .31) #5 BARS AT 12" C.C.E.W.
---	---	---

Structure Total: 12183 lb

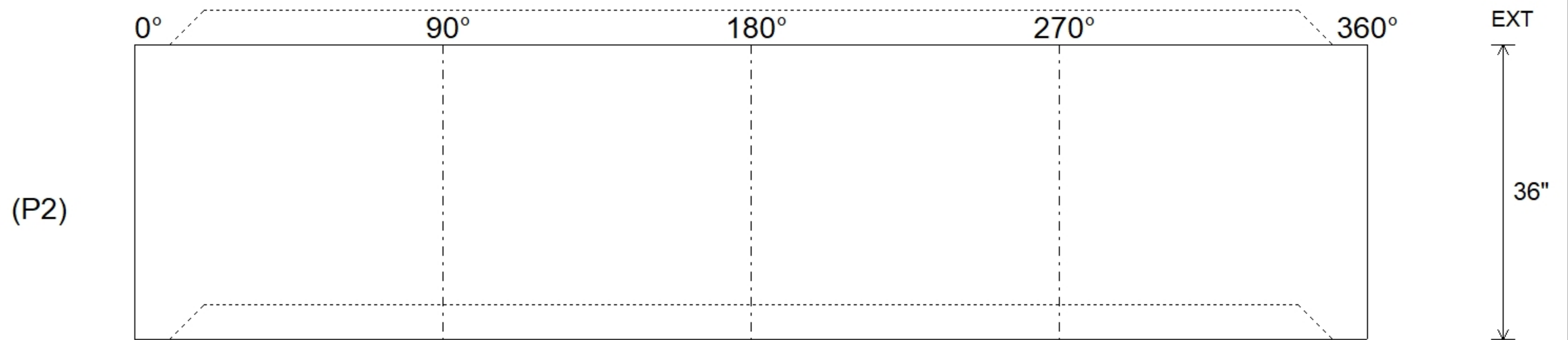
Rim: 483.25' Rim to Invert: 6.01' Slack: 2.12" Sump: 81" Step Position:

Position	Elev	Angle	Ext. (cw)	Pipe	Pipe OD	Connector	Hole	Horz Size	Up (L)	Offset
Invert 1										
Invert 2										
Invert 3										
Invert 4										
Invert 5										
Invert 6										
Invert 7										
Invert 8										

RIGHT-SIDE UP VIEW (int. dimensions)



INSIDE WALL DIMENSIONS



Coating (Int): Coating (Ext):	Seam Up: Tongue Seam Dn: Groove	Wall Thickness: 5" Floor Height: 0"	Height (Int): 36" Height (Ext): 36"	Weight (Net): 2515 lb Volume (Net): 0.64cu.yd
----------------------------------	------------------------------------	--	--	--