

Job Name: 26-1439 ADS New Seneca High School
Job Location: Louisville, KY
Contractor: ADS Advanced Drainage Systems, Inc.

PC: C. Goff
 TECH: S. Felletter
 Plant: Beaver Dam



Structure ID: **WQU-23 (AR8PC)**

Spec: Storm-Pipe Centered
 Type: STM.MH
 Size: 96"

Rim: 484.5'
 Invert: 478.2'
 Rim to Invert: 6.3'

Sump: 132"
 Floor (Top): 467.2'
 Floor Height: 8"

Floor (Bot): 466.533'
 Overall Height: 17.917'
 Slack: 0.6"

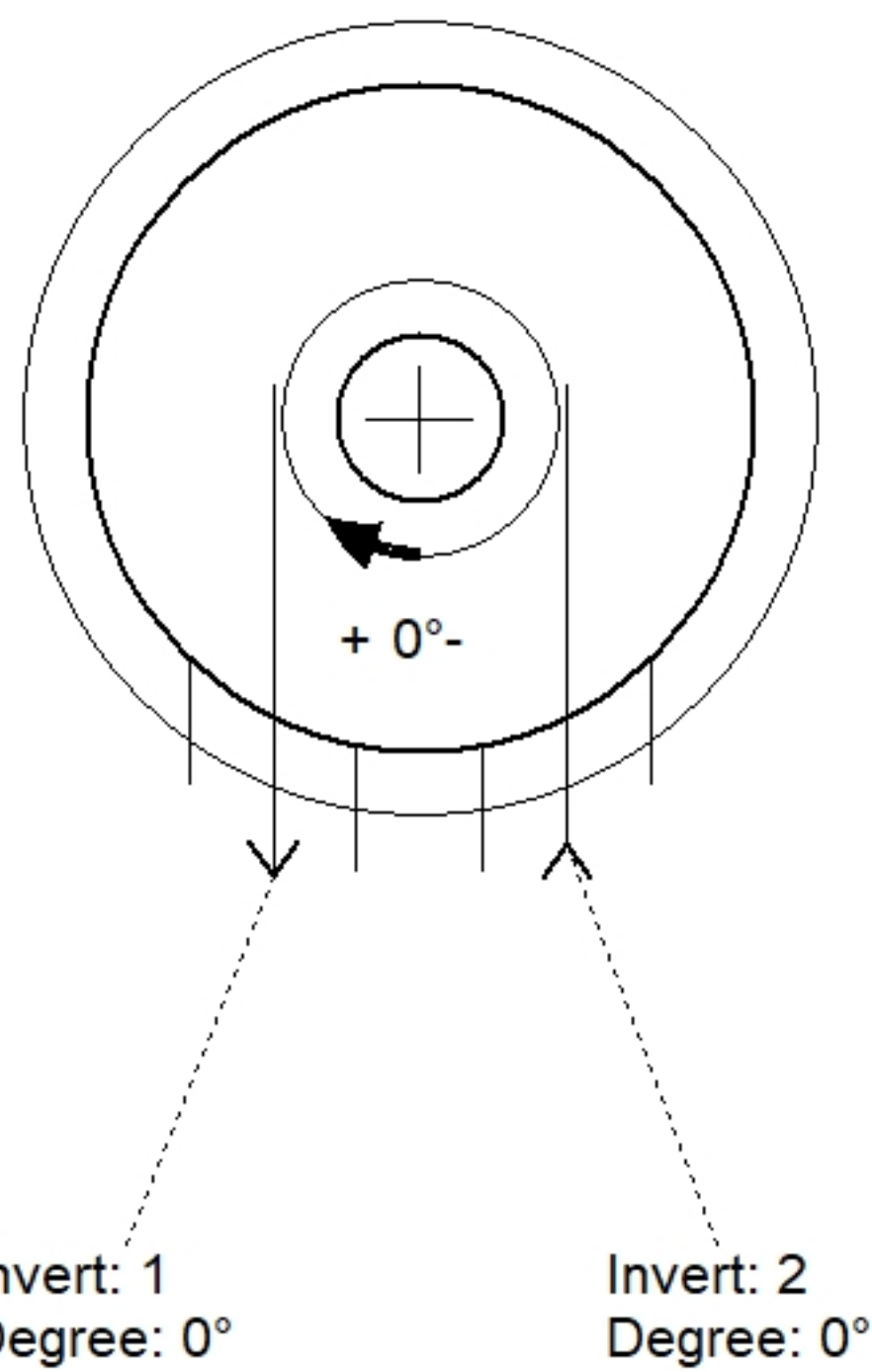
Structure Notes:

1. PER ASTM C478 SPECIFICATIONS.
2. CONCRETE = 4,000 PSI AT 28 DAYS.
3. CASTING BY ICAST (HOE MC-375 "STORM").
4. ASSEMBLY REQUIRED - BRACKETS ONLY.
5. LIFTING ANCHORS TO BE INSTALLED ON THE OUTSIDE OF THE STRUCTURE.

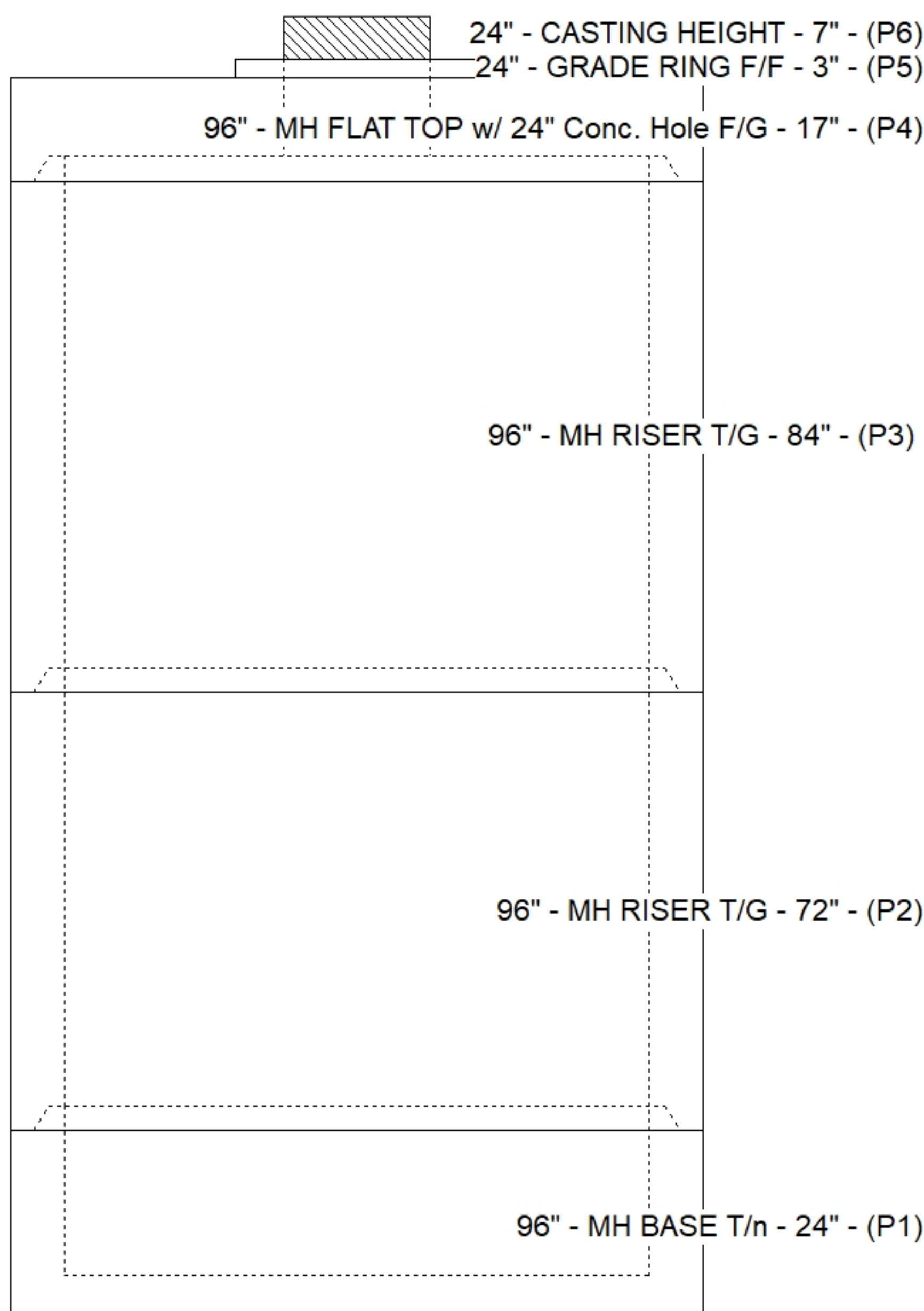
REINFORCING PER ASTM A615 (GRADE 60).
 - TOP SLAB (As .62) #5 BARS AT 6" C.C.E.W..
 - RISER/WALLS (As .12)
 - FLOOR (As .31) #5 BARS AT 12" C.C.E.W.

STRUCTURE SUMMARY:

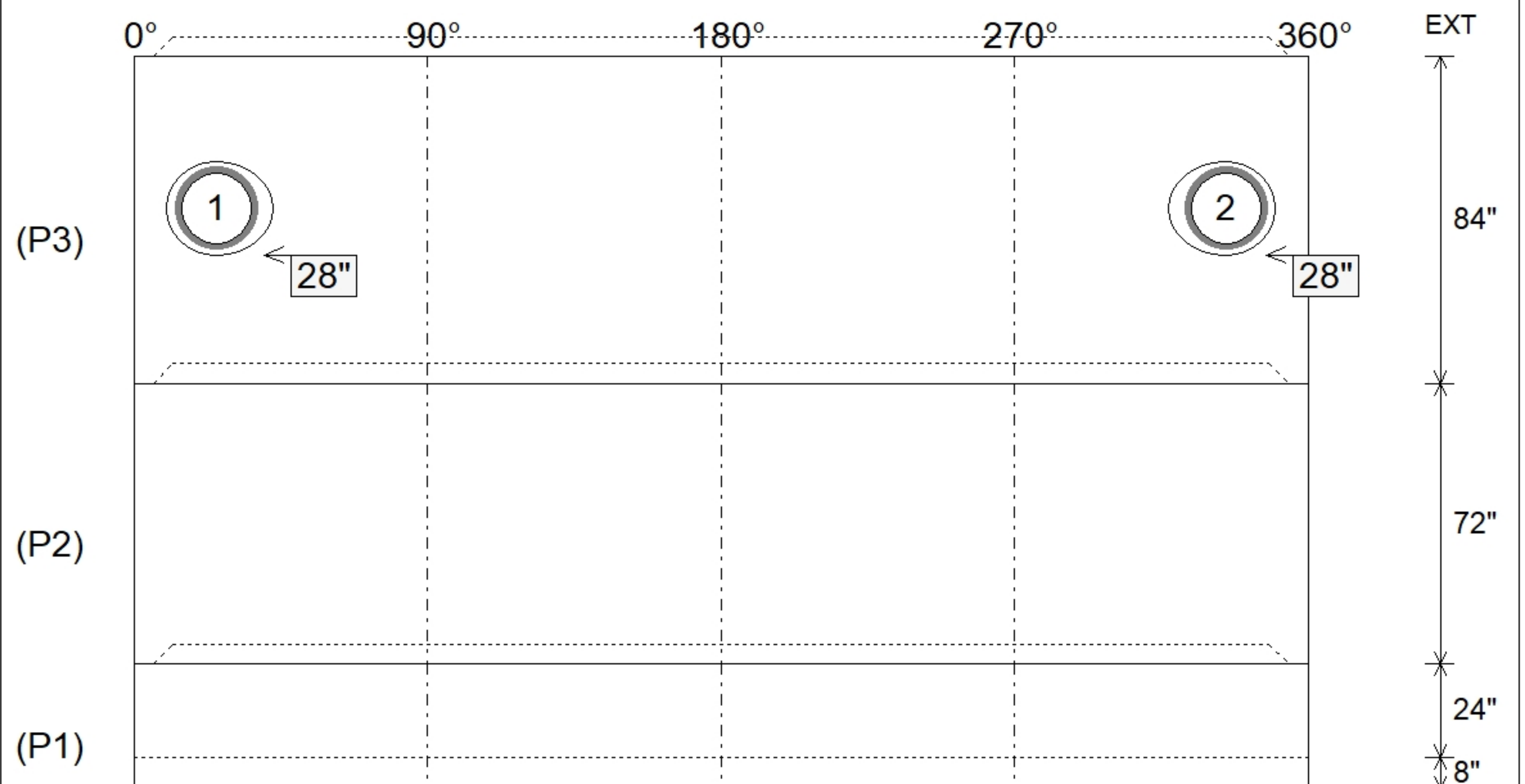
P6) 24" - CASTING HEIGHT - 7"	0 lb
P5) 24" - GRADE RING F/F - 3"	202 lb
P4) 96" - MH FLAT TOP w/ 24" Conc. Hole F/G - 17"	10473 lb
P3) 96" - MH RISER T/G - 84"	20164 lb
P2) 96" - MH RISER T/G - 72"	17937 lb
P1) 96" - MH BASE T/n - 24"	12831 lb
1) ASSEMBLY REQUIRED - BRACKETS ONLY	0 lb
1) CASTING - HOE MC-375 F/C Storm	271 lb
3) 96" - Conseal CS-102 1.00" (Double)	0 lb
2) Hole - 24	0 lb
Structure Total:	61877 lb



Position	Elev	Angle	Pipe	Pipe OD	Hole	Connector	Up (L)	Ref
Rim	484.5'							
Reducer								
Invert 1	478.2'	0°	18" HDPE	21.2"	24"	Hole 24	28"	P3
Invert 2	478.2'	0°	18" HDPE	21.2"	24"	Hole 24	28"	P3
Invert 3								
Invert 4								
Invert 5								
Invert 6								
Invert 7								
Invert 8								



Default - Interior Dimensions



Submittal Drawing
 3/9/2026 1:31:16 PM

SUBMITTAL
 APPROVED BY: