

Job Name: 26-1439 ADS New Seneca High School
 Job Location: Louisville, KY
 Contractor: ADS Advanced Drainage Systems, Inc.

Plant: Beaver Dam
 3/6/2026 12:31:39 PM

Tech: S. Felletter
 PC: C. Goff



Structure ID: WQU-23 (AR8PC)

P5 GR3

GRADE RING F/F

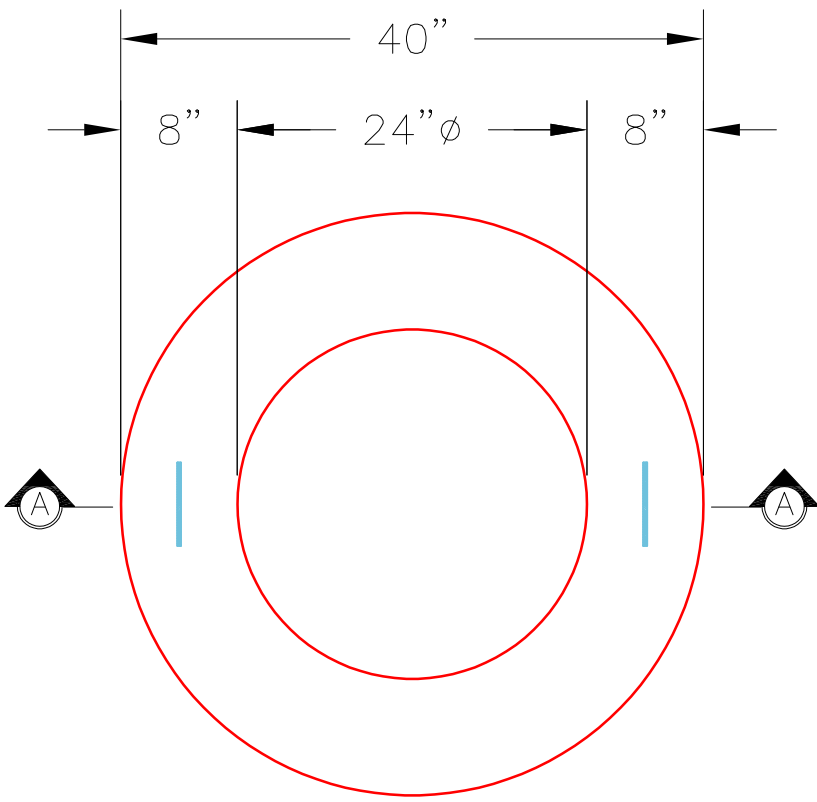
- P6) 24" - CASTING HEIGHT - 7"
- P5) 24" - GRADE RING F/F - 3"
- P4) 96" - MH FLAT TOP w/ 24" Conc. Hole F/G - 17"
- P3) 96" - MH RISER T/G - 84"
- P2) 96" - MH RISER T/G - 72"
- P1) 96" - MH BASE T/n - 24"
- 1) ASSEMBLY REQUIRED - BRACKETS ONLY
- 1) CASTING - HOE MC-375 F/C Storm
- 3) 96" - Conseal CS-102 1.00" (Double)
- 2) Hole - 24"

0 lb
 202 lb
 10473 lb
 20164 lb
 17937 lb
 12831 lb
 0 lb
 271 lb
 0 lb
 0 lb

 Structure Total: 61877 lb

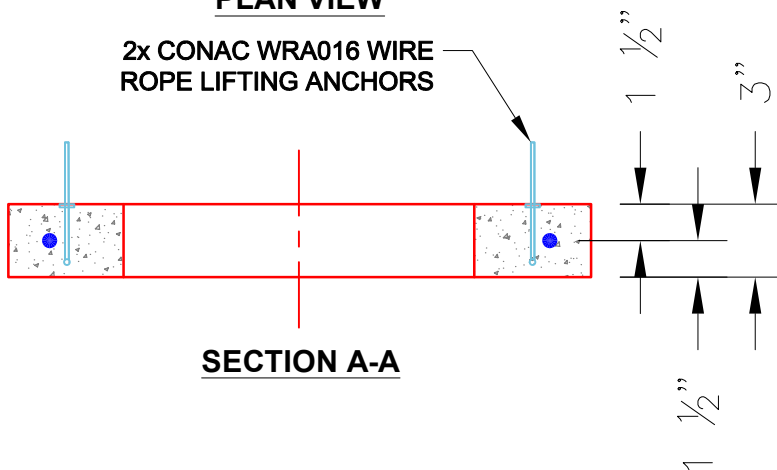
Structure Notes:
 1. PER ASTM C478 SPECIFICATIONS.
 2. CONCRETE = 4,000 PSI AT 28 DAYS.
 3. CASTING BY ICAST (HOE MC-375 "STORM").
 4. ASSEMBLY REQUIRED - BRACKETS ONLY.

REINFORCING PER ASTM A615 (GRADE 60).
 - TOP SLAB (As .62) #5 BARS AT 6" C.C.E.W..
 - RISER/WALLS (As .12)
 - FLOOR (As .31) #5 BARS AT 12" C.C.E.W.



PLAN VIEW

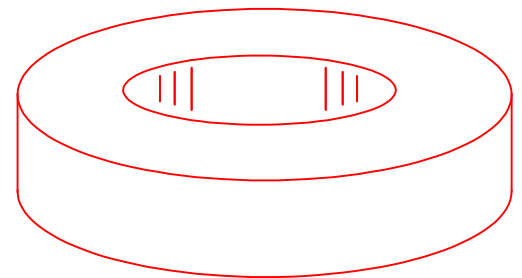
2x CONAC WRA016 WIRE ROPE LIFTING ANCHORS



SECTION A-A

NOTES:

1. GRADE RINGS MEET OR EXCEED THE FOLLOWING SPECIFICATIONS:
 - CONCRETE: 4,000 PSI @ 28 DAYS.
 - REINFORCING: (1) #3 HOOP CENTERED (GRADE 60)
2. WEIGHT: 3" 202 LBS.



ISOMETRIC VIEW

Coating (Int):
 Coating (Ext):

Seam Up: Flat
 Seam Dn: Flat

Wall Thickness: 8"

Height (Ext): 3"

Weight (Net): 202 lb
 Volume (Net): 0.05cu.yd