

Job Name: 26-1439 ADS New Seneca High School
 Job Location: Louisville, KY
 Contractor: ADS Advanced Drainage Systems, Inc.

Plant: Beaver Dam
 3/6/2026 12:31:53 PM

Tech: S. Felletter
 PC: C. Goff



Structure ID: WQU-23 (AR8PC)

P3 MH096RS84

MH RISER T/G

- P6) 24" - CASTING HEIGHT - 7"
- P5) 24" - GRADE RING F/F - 3"
- P4) 96" - MH FLAT TOP w/ 24" Conc. Hole F/G - 17"
- P3) 96" - MH RISER T/G - 84"
- P2) 96" - MH RISER T/G - 72"
- P1) 96" - MH BASE T/n - 24"
- 1) ASSEMBLY REQUIRED - BRACKETS ONLY
- 1) CASTING - HOE MC-375 F/C Storm
- 3) 96" - Conseal CS-102 1.00" (Double)
- 2) Hole - 24

0 lb
 202 lb
 10473 lb
 20164 lb
 17937 lb
 12831 lb
 0 lb
 271 lb
 0 lb
 0 lb

 Structure Total: 61877 lb

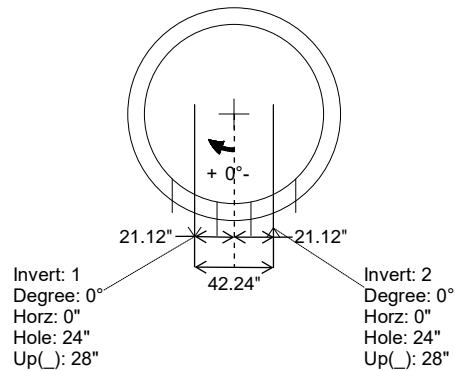
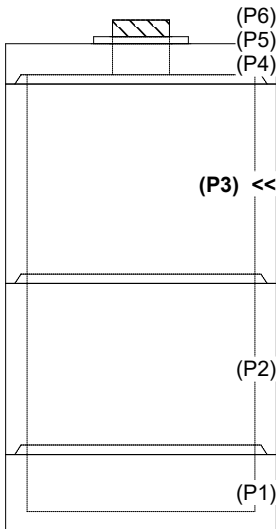
- Structure Notes:**
1. PER ASTM C478 SPECIFICATIONS.
 2. CONCRETE = 4,000 PSI AT 28 DAYS.
 3. CASTING BY ICAST (HOE MC-375 "STORM").
 4. ASSEMBLY REQUIRED - BRACKETS ONLY.
 5. LIFTING ANCHORS TO BE INSTALLED ON THE OUTSIDE OF THE STRUCTURE.

REINFORCING PER ASTM A615 (GRADE 60).
 - TOP SLAB (As .62) #5 BARS AT 6" C.C.E.W..
 - RISER/WALLS (As .12)
 - FLOOR (As .31) #5 BARS AT 12" C.C.E.W.

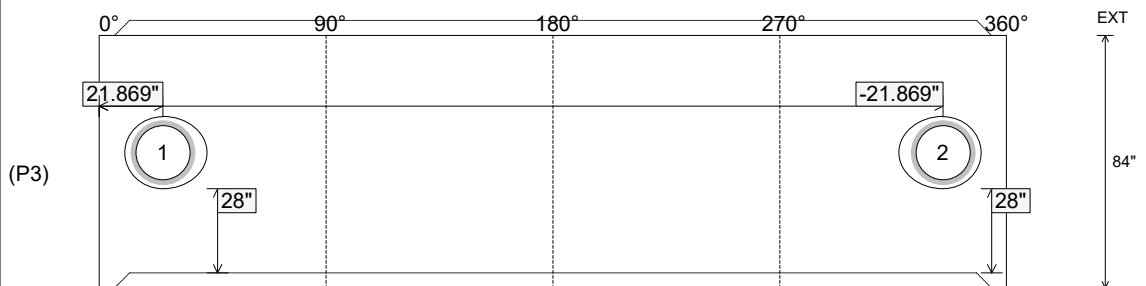
Rim: 484.5' Rim to Invert: 6.3' Slack: 0.6" Sump: 132" Step Position:

Position	Elev	Angle	Ext. (cw)	Pipe	Pipe OD	Connector	Hole	Horz Size	Up ()	Offset
Invert 1	478.2'	0°	21.636"	18" HDPE	21.2"	Hole 24	24"	27.376"	28"	21.12"
Invert 2	478.2'	0°	-21.636"	18" HDPE	21.2"	Hole 24	24"	27.376"	28"	-21.12"
Invert 3										
Invert 4										
Invert 5										
Invert 6										
Invert 7										
Invert 8										

RIGHT-SIDE UP VIEW (int. dimensions)



INSIDE WALL DIMENSIONS



Coating (Int):
 Coating (Ext):

Seam Up: Tongue
 Seam Dn: Groove

Wall Thickness: 9"
 Floor Height: 0"

Height (Int): 84"
 Height (Ext): 84"

Weight (Net): 20164 lb
 Volume (Net): 5.15cu.yd