

Job Name: 26-1438 ADS Food City
Job Location: Cleveland, TN
Contractor: ADS Advanced Drainage Systems, Inc.

PC: C. Goff
 TECH: S. Felletter
 Plant: Beaver Dam



Structure ID: 2

Spec: Storm-Pipe Centered
 Type: STM.MH
 Size: 36"

Rim: 1009.2'
 Invert: 1004.9'
 Rim to Invert: 4.3'

Sump: 60"
 Floor (Top): 999.9'
 Floor Height: 6"

Floor (Bot): 999.4'
 Overall Height: 9.75'
 Slack: 0.6"

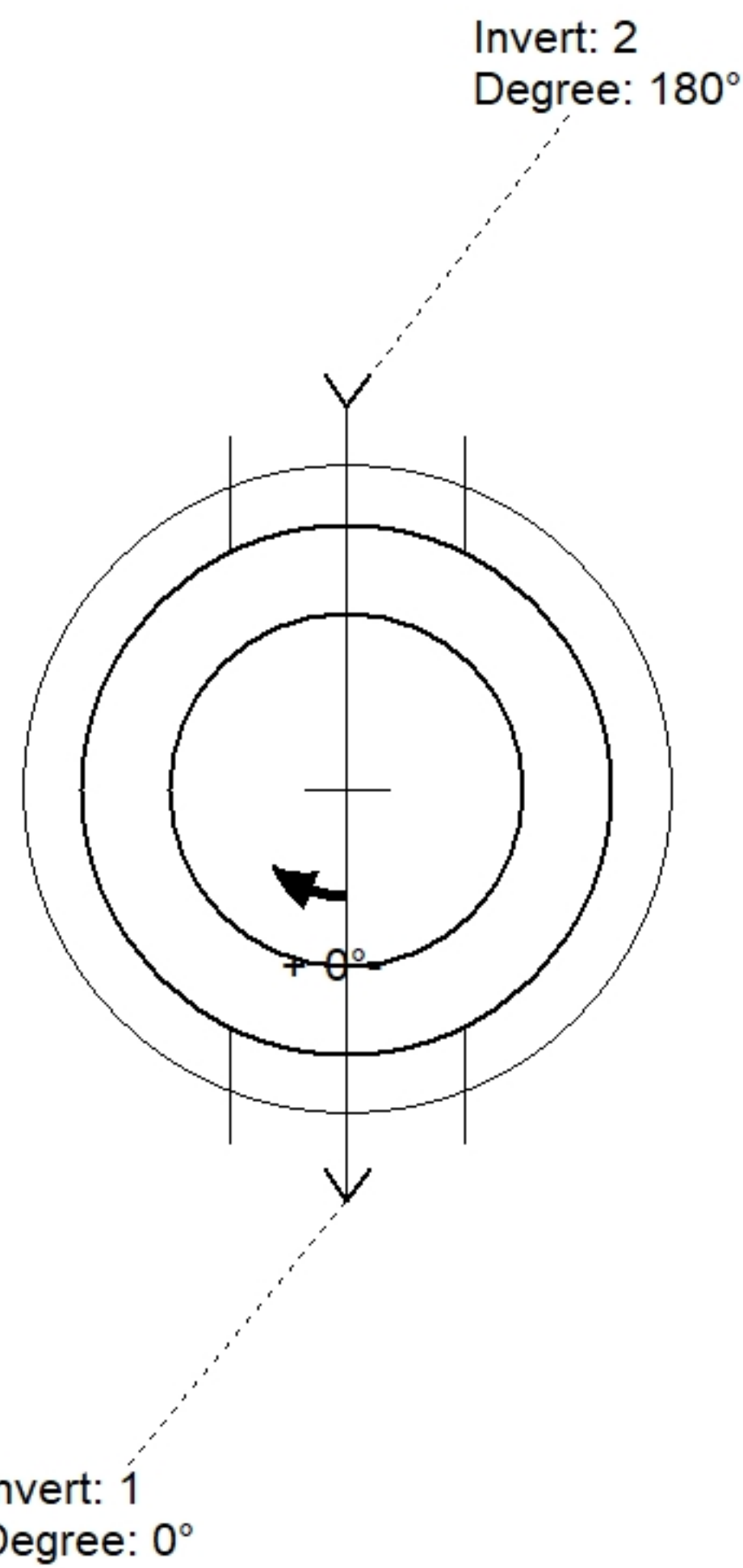
Structure Notes:

1. PER ASTM C478 SPECIFICATIONS.
2. CONCRETE = 4,000 PSI AT 28 DAYS.
3. CASTING BY ICAST (HOE MC-375 "STORM").
4. LIFTING ANCHORS TO BE INSTALLED ON THE OUTSIDE OF THE STRUCTURE.

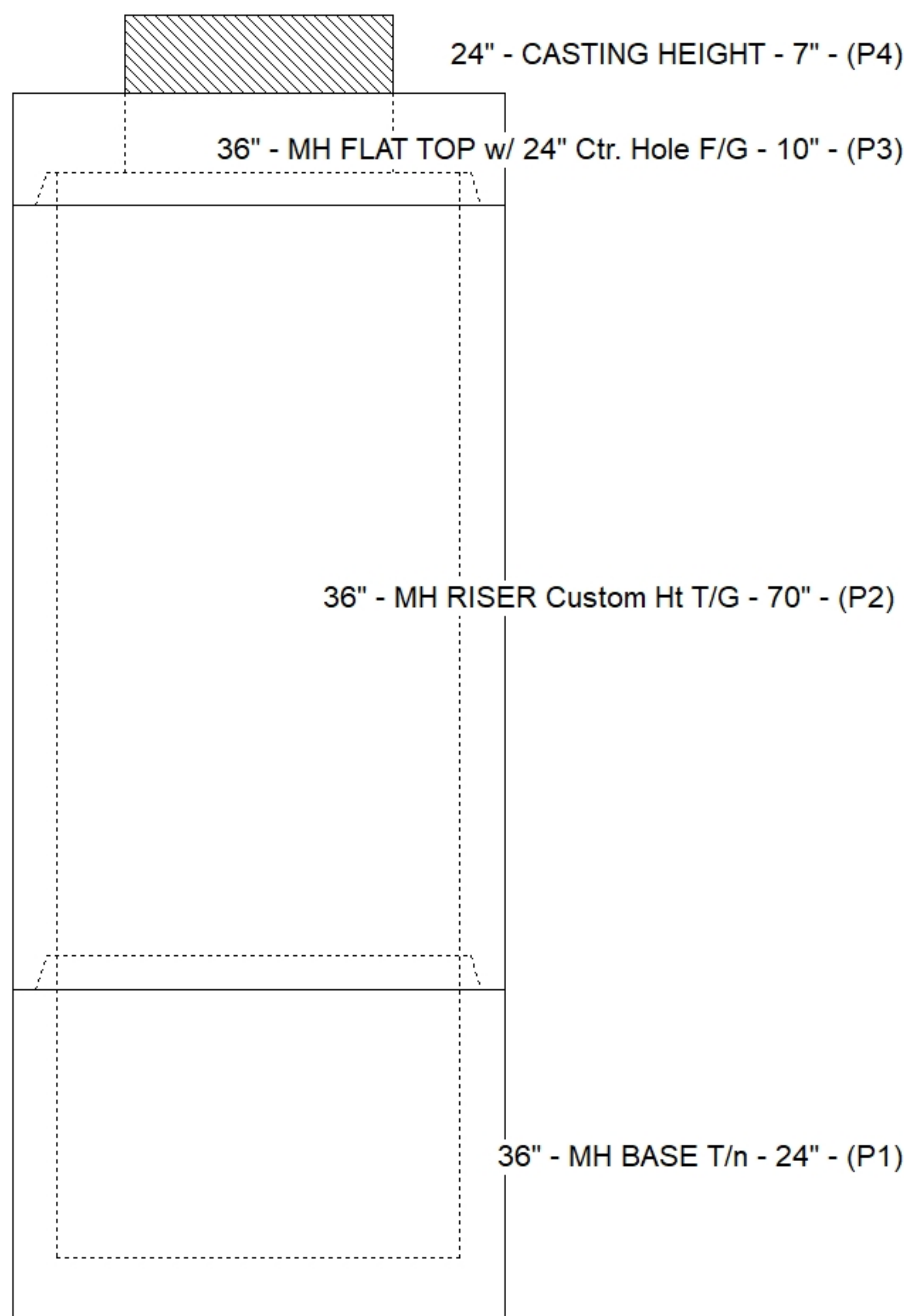
REINFORCING PER ASTM A615 (GRADE 60).
 - TOP SLAB (As .62) #5 BARS AT 6" C.C.E.W..
 - RISER/WALLS (As .12)
 - FLOOR (As .31) #5 BARS AT 12" C.C.E.W.

STRUCTURE SUMMARY:

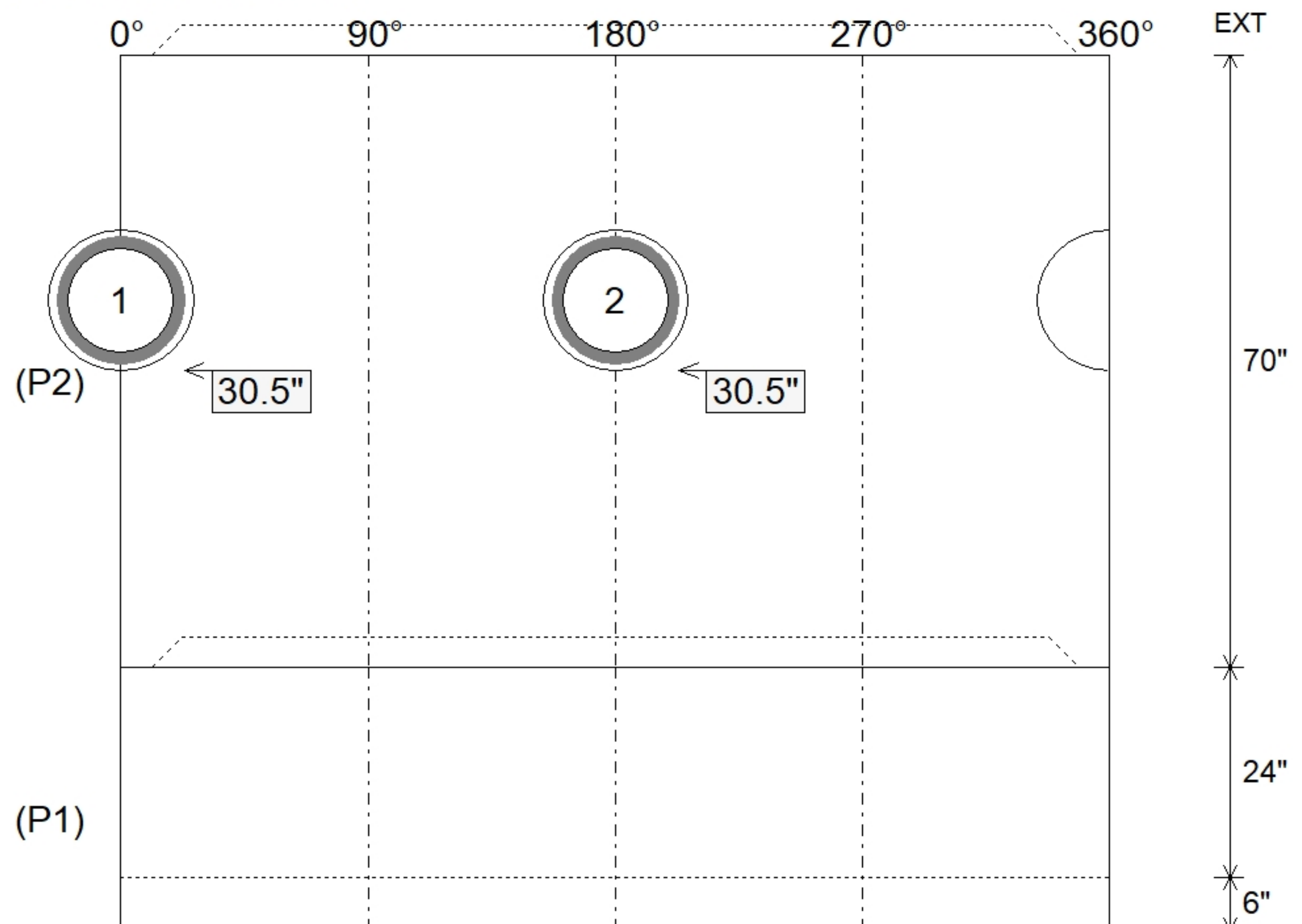
| | |
|--|----------------|
| P4) 24" - CASTING HEIGHT - 7" | 0 lb |
| P3) 36" - MH FLAT TOP w/ 24" Ctr. Hole F/G - 10" | 896 lb |
| P2) 36" - MH RISER Custom Ht T/G - 70" | 2814 lb |
| P1) 36" - MH BASE T/n - 24" | 1778 lb |
| 1) ASSEMBLY REQUIRED | 0 lb |
| 1) CASTING - HOE MC-375 F/C Storm | 271 lb |
| 2) 36" - Conseal CS-102 1.00" (Double) | 0 lb |
| 2) Hole - 16 | 0 lb |
| Structure Total: | 5759 lb |



| Position | Elev | Angle | Pipe | Pipe OD | Hole | Connector | Up (") | Ref |
|----------|---------|-------|--------------|---------|------|-----------|--------|-----|
| Rim | 1009.2' | | | | | | | |
| Reducer | | | | | | | | |
| Invert 1 | 1004.9' | 0° | 12" ADS N-12 | 14.5" | 16" | Hole 16 | 30.5" | P2 |
| Invert 2 | 1004.9' | 180° | 12" ADS N-12 | 14.5" | 16" | Hole 16 | 30.5" | P2 |
| Invert 3 | | | | | | | | |
| Invert 4 | | | | | | | | |
| Invert 5 | | | | | | | | |
| Invert 6 | | | | | | | | |
| Invert 7 | | | | | | | | |
| Invert 8 | | | | | | | | |



Default - Interior Dimensions



Submittal Drawing
 3/9/2026 8:32:21 AM

SUBMITTAL
 APPROVED BY: