

Structure ID: 2

P1 MH036BA24

MH BASE T/n

P4) 24" - CASTING HEIGHT - 7" P3) 36" - MH FLAT TOP w/ 24" Ctr. Hole F/G - 10" P2) 36" - MH RISER Custom Ht T/G - 70" P1) 36" - MH BASE T/n - 24" 1) ASSEMBLY REQUIRED 1) CASTING - HOE MC-375 F/C Storm 2) 36" - Conseal CS-102 1.00" (Double) 2) Hole - 16	0 lb 896 lb 2814 lb 1778 lb 0 lb 271 lb 0 lb 0 lb ----- 5759 lb	Structure Notes: 1. PER ASTM C478 SPECIFICATIONS. 2. CONCRETE = 4,000 PSI AT 28 DAYS. 3. CASTING BY ICAST (HOE MC-375 "STORM"). 4. LIFTING ANCHORS TO BE INSTALLED ON THE OUTSIDE OF THE STRUCTURE. REINFORCING PER ASTM A615 (GRADE 60). - TOP SLAB (As .62) #5 BARS AT 6" C.C.E.W.. - RISER/WALLS (As .12) - FLOOR (As .31) #5 BARS AT 12" C.C.E.W.
---	--	--

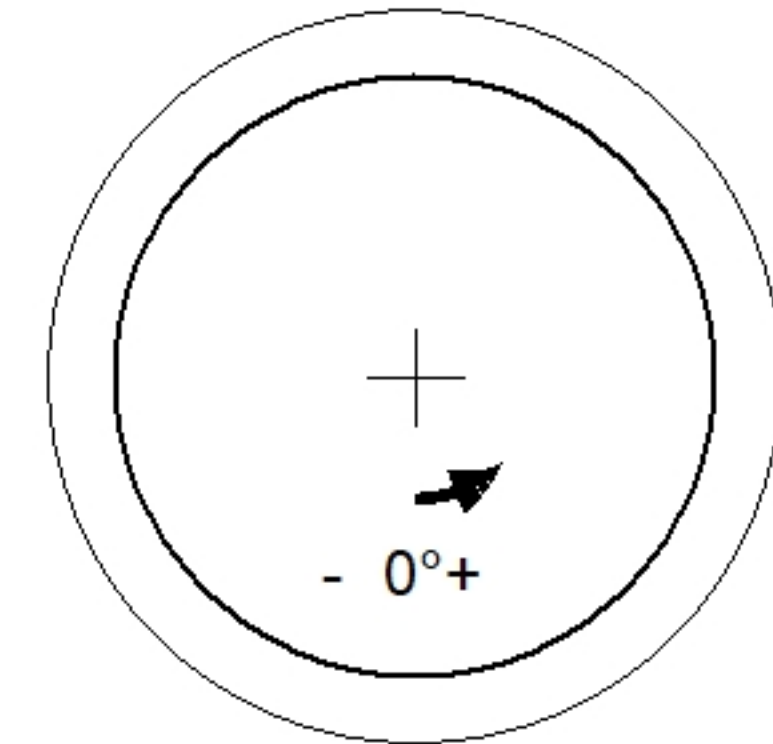
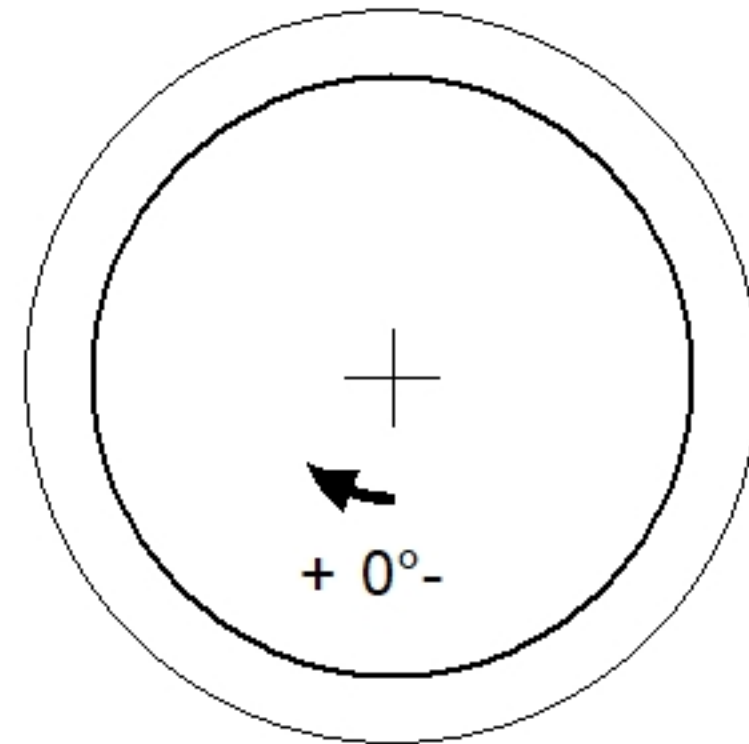
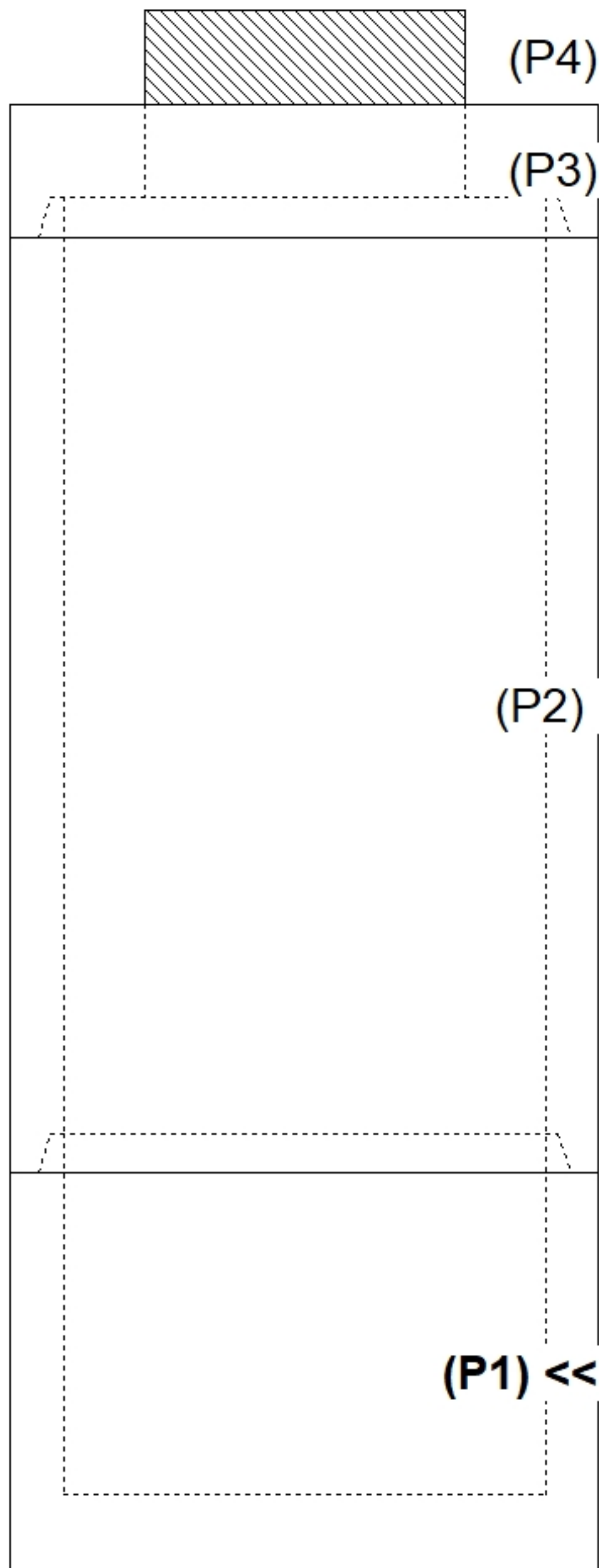
Structure Total: 5759 lb

Rim: 1009.2' Rim to Invert: 4.3' Slack: 0.6" Sump: 60" Step Position:

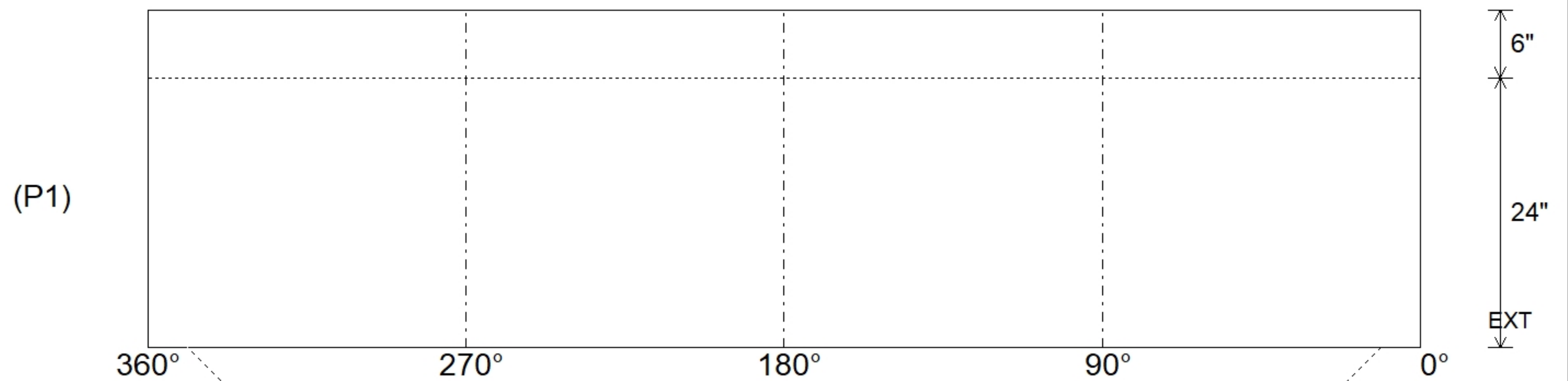
Position	Elev	Angle	Ext. (cw)	Pipe	Pipe OD	Connector	Hole	Horz Size	Up (L)	Offset
Invert 1										
Invert 2										
Invert 3										
Invert 4										
Invert 5										
Invert 6										
Invert 7										
Invert 8										

RIGHT-SIDE UP VIEW (int. dimensions)

UPSIDE-DOWN VIEW (int. dimensions)



INSIDE WALL DIMENSIONS



Coating (Int):	Seam Up: Tongue	Wall Thickness: 4"	Height (Int): 24"
Coating (Ext):	Seam Dn: n/a	Floor Height: 6"	Height (Ext): 30"
		Weight (Net): 1778 lb	
		Volume (Net): 0.45cu.yd	