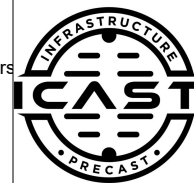


Job Name: 26-1430 Commercial Strip Center at Gateway Commons
 Job Location: Owensboro, KY
 Contractor: Winwater Hartford KY Co.

Plant: 100
 4/27/2026 9:25:36 AM

Tech: Jared - A
 PC: Andy Chambers



Structure ID: BE-7

P1 BX3030-06VH

BOX BASE 6inW, 6inF, Variable Ht F/n

- P2) 30" x 30" - CASTING HEIGHT - 4"
- P1) 30" x 30" - BOX BASE 6inW, 6inF, Variable Ht F/n - 28"
- 1) CASTING - HOE 468 F/G
- 1) 30" x 30" - Conseal CS-102 1.00"
- 1) Hole - 20
- 1) Hole - 16

0 lb
 2617 lb
 489 lb
 0 lb
 0 lb
 0 lb

 0 lb
 Structure Total: 3106 lb

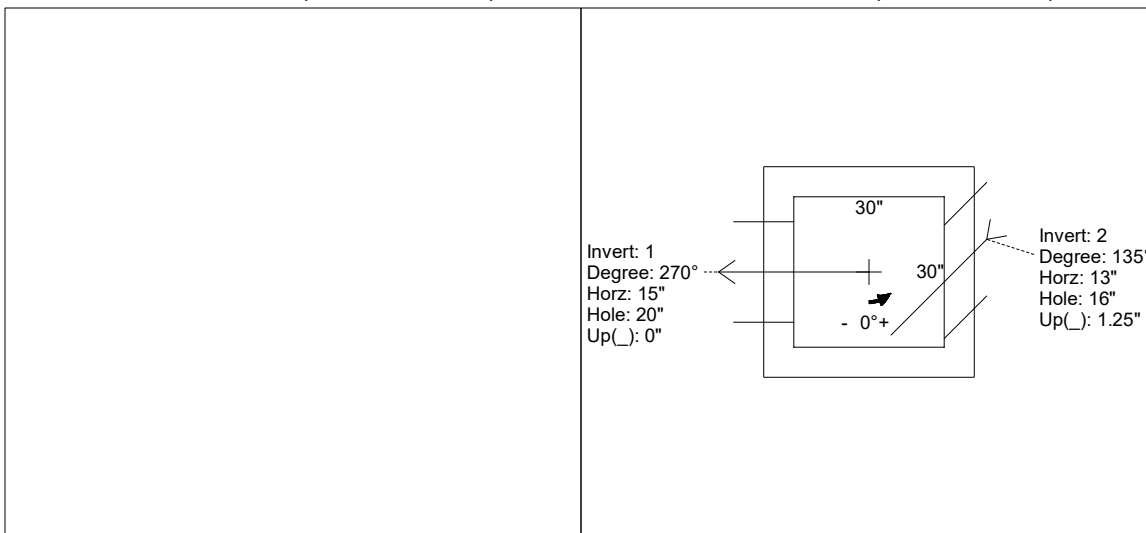
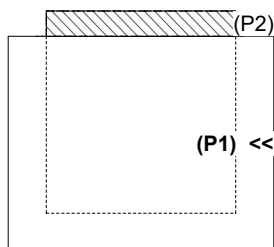
- Structure Notes:
1. PER ASTM C-913 SPECIFICATIONS
 2. CONCRETE: 4,000 PSI AT 28 DAYS
 3. REINFORCEMENT: #5 BAR @ 12" C.C. E.W. (GRADE 60) - 2" MIN. REBAR CLEARANCE (TYP)
 4. NO STORM INVERT
 5. NO STEPS
 6. HOE 468 FRAME & GRATE SUPPLIED BY ICAST

Rim: 467.61' Rim to Invert: 2.72' Slack: 2.14" Sump: 1.5" Step Position:

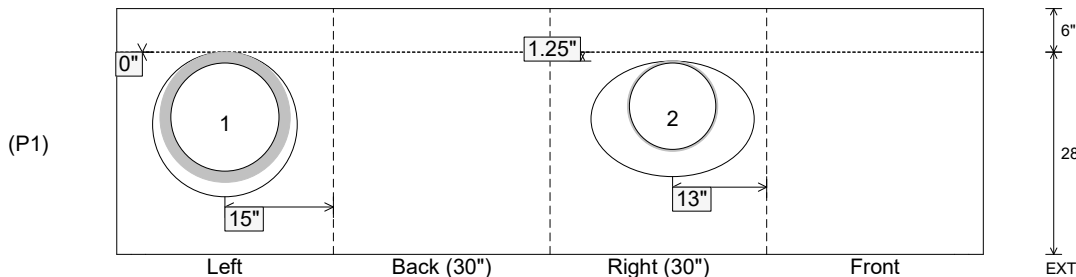
Position	Elev	Angle	Ext. (cw)	Pipe	Pipe OD	Connector	Hole	Horz Size	Up (")	Offset
Invert 1	464.89'	270°	21"	15" ADS N-12	18"	Hole 20	20"	20"	0"	0"
Invert 2	464.89'	135°	25"	12" PVC SDR26	12.5"	Hole 16	16"	22.627"	1.25"	-12"
Invert 3										
Invert 4										
Invert 5										
Invert 6										
Invert 7										
Invert 8										

RIGHT-SIDE UP VIEW (int. dimensions)

UPSIDE-DOWN VIEW (int. dimensions)



INSIDE WALL DIMENSIONS



Coating (Int):
 Coating (Ext):

Seam Up: Flat
 Seam Dn: n/a

Wall Thickness: 6"
 Floor Height: 6"

Height (Int): 28"
 Height (Ext): 34"

Weight (Net): 2617 lb
 Volume (Net): 0.67cu.yd