

Structure ID: 10-CS-5

P2 MH060RS60

MH RISER T/G

P4) 30" - CASTING HEIGHT - 4" P3) 60" - MH FLAT TOP SPEC. (30" ECC HOLE) F/G - 13" P2) 60" - MH RISER T/G - 60" P1) 60" - MH BASE T/n - 36" 1) CVSTENCILING 1) ASSEMBLY REQUIRED 2) 60" - Conseal CS-102 1.00" 3) PSX - 20Y DD	0 lb 2589 lb 5781 lb 6491 lb 0 lb 0 lb 0 lb 24 lb <hr style="width: 50px; margin-left: auto; margin-right: 0;"/> Structure Total: 14886 lb
---	--

Structure Notes:
 4" CASTING BY OTHERS

LIFTING ANCHORS TO BE INSTALLED ON THE OUTSIDE OF THE STRUCTURE

ICAST TO INSTALL THE INTERNALS

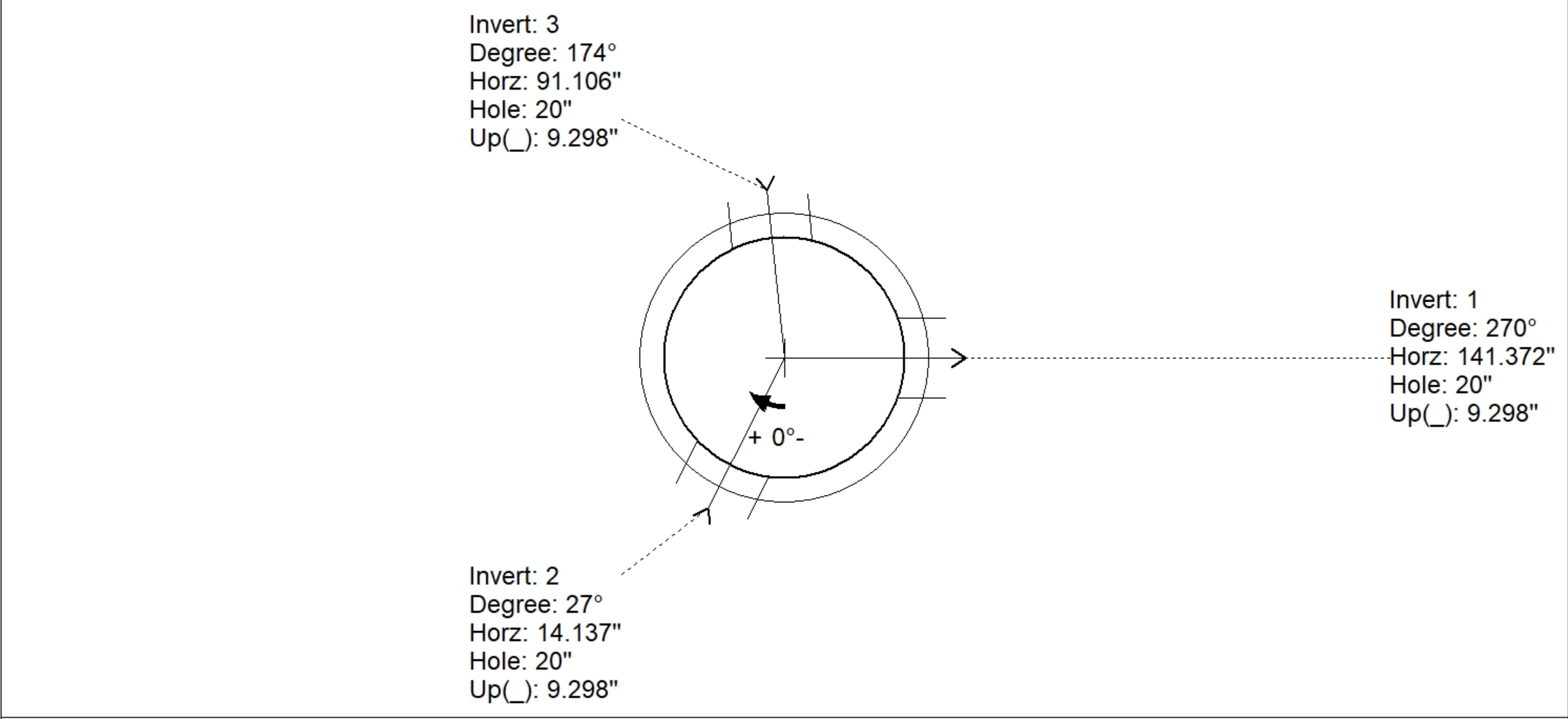
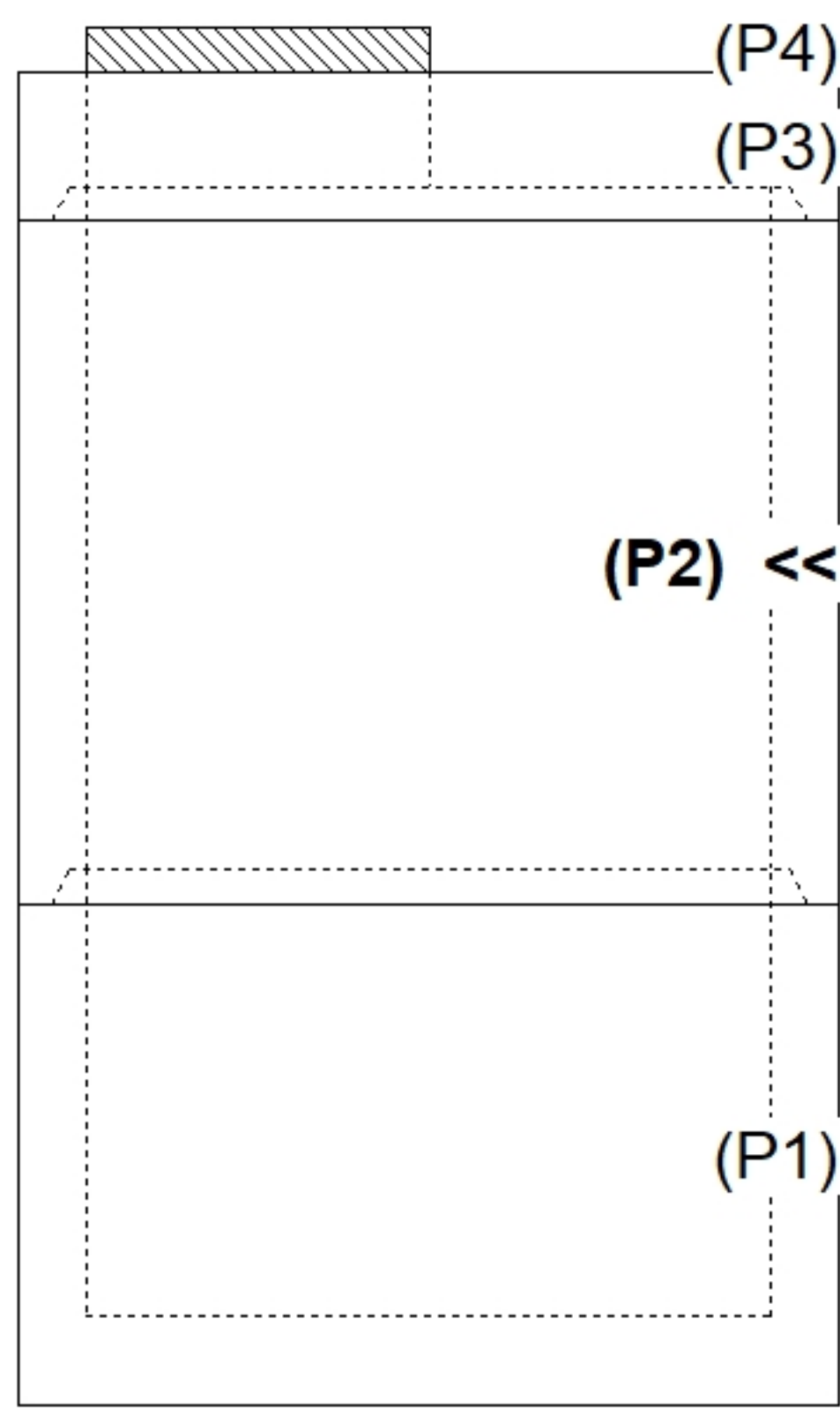
CONTECH'S LOGO AS WELL AS THE INLET AND OUTLET MUST BE STENCILED ONTO THE STRUCTURE

P1 BASE & P2 RISER TO BE MECHANICALLY ATTACHED BEFORE INTERNAL INSTALLATION/DELIVERY.

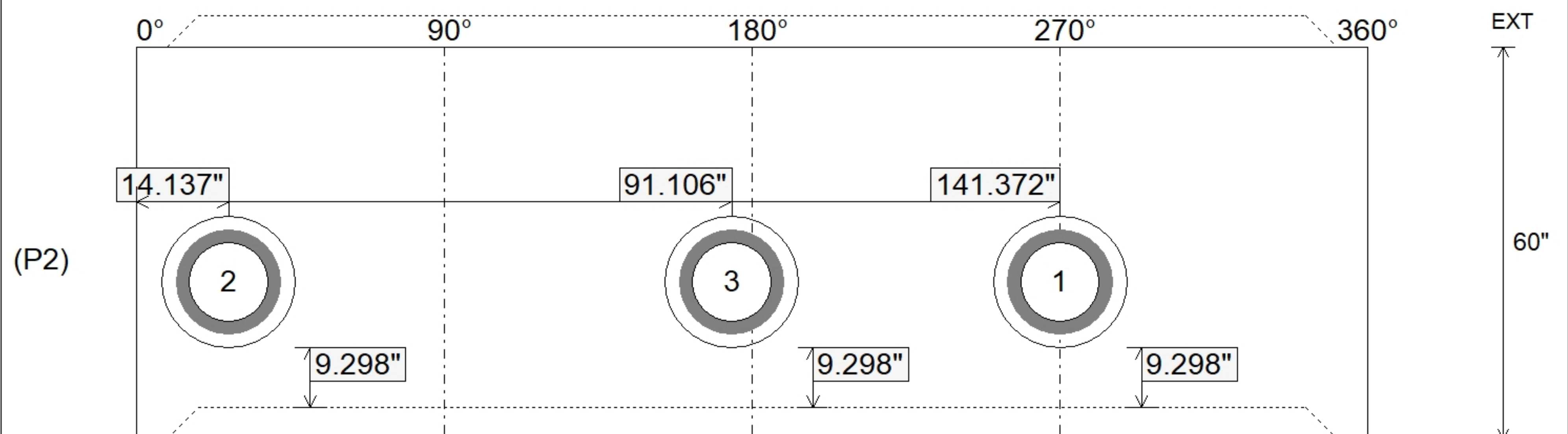
Rim: 530' Rim to Invert: 4.9' Slack: -0.152" Sump: 54.048" Step Position:

Position	Elev	Angle	Ext. (cw)	Pipe	Pipe OD	Connector	Hole	Horz Size	Up ()	Offset
Invert 1	525.1'	270°	169.646"	12" RCP B WALL	16"	PSX 20Y DD	20"	20.39"	9.298"	0"
Invert 2	525.1'	27°	16.965"	12" RCP B WALL	16"	PSX 20Y DD	20"	20.39"	9.298"	0"
Invert 3	525.1'	174°	109.327"	12" RCP B WALL	16"	PSX 20Y DD	20"	20.39"	9.298"	0"
Invert 4										
Invert 5										
Invert 6										
Invert 7										
Invert 8										

RIGHT-SIDE UP VIEW (int. dimensions)



INSIDE WALL DIMENSIONS



Coating (Int): Coating (Ext):	Seam Up: Tongue Seam Dn: Groove	Wall Thickness: 6" Floor Height: 0"	Height (Int): 60" Height (Ext): 60"	Weight (Net): 5781 lb Volume (Net): 1.48cu.yd
----------------------------------	------------------------------------	--	--	--