

Job Name: 26-1427 876621 QT 603 St Charles	Plant: Beaver Dam	Tech: S. Felletter	
Job Location: Saint Charles, MO Contractor: Contech Engineering Solutions	3/5/2026 8:56:52 AM	PC: T. Sekula	

Structure ID: 10-CS-5

P1 MH060BA36 MH BASE T/n

P4) 30" - CASTING HEIGHT - 4"	0 lb
P3) 60" - MH FLAT TOP SPEC. (30" ECC HOLE) F/G - 13"	2589 lb
P2) 60" - MH RISER T/G - 60"	5781 lb
P1) 60" - MH BASE T/n - 36"	6491 lb
1) CVSTENCILING	0 lb
1) ASSEMBLY REQUIRED	0 lb
2) 60" - Conseal CS-102 1.00"	0 lb
3) PSX - 20Y DD	24 lb
Structure Total:	14886 lb

Structure Notes:
 4" CASTING BY OTHERS

 LIFTING ANCHORS TO BE INSTALLED ON THE OUTSIDE OF THE STRUCTURE

 ICAST TO INSTALL THE INTERNALS

 CONTECH'S LOGO AS WELL AS THE INLET AND OUTLET MUST BE STENCILED ONTO THE STRUCTURE

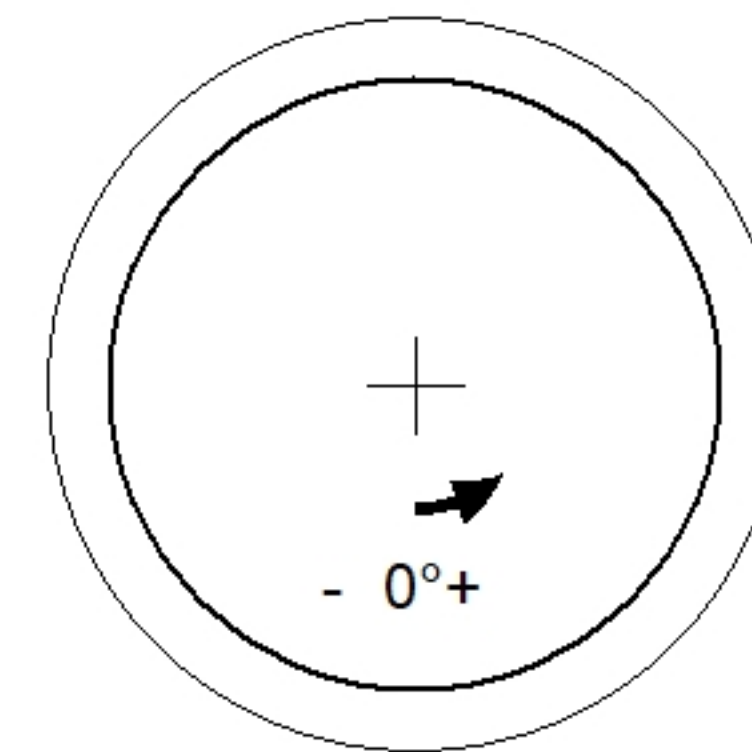
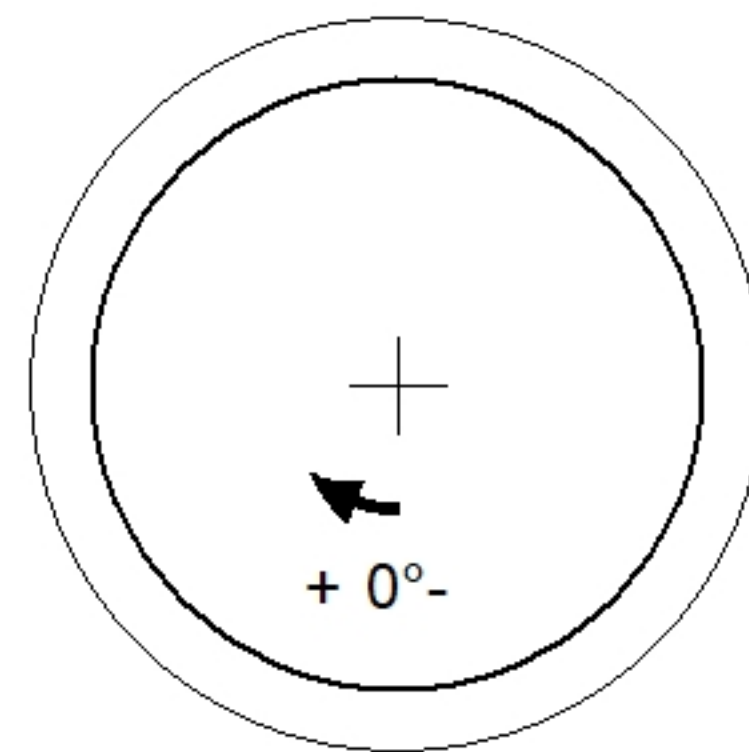
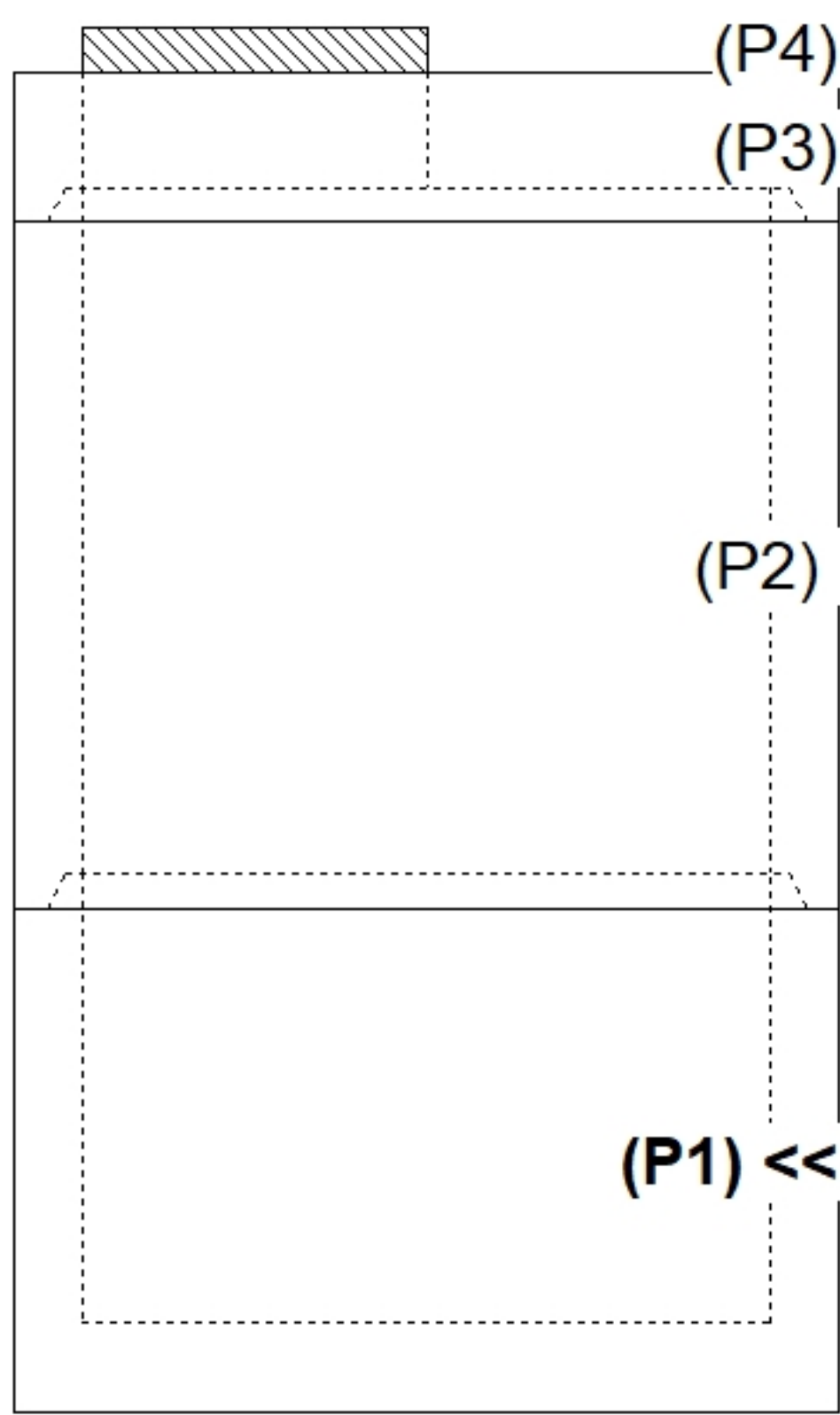
 P1 BASE & P2 RISER TO BE MECHANICALLY ATTACHED BEFORE INTERNAL INSTALLATION/DELIVERY.

Rim: 530' Rim to Invert: 4.9' Slack: -0.152" Sump: 54.048" Step Position:

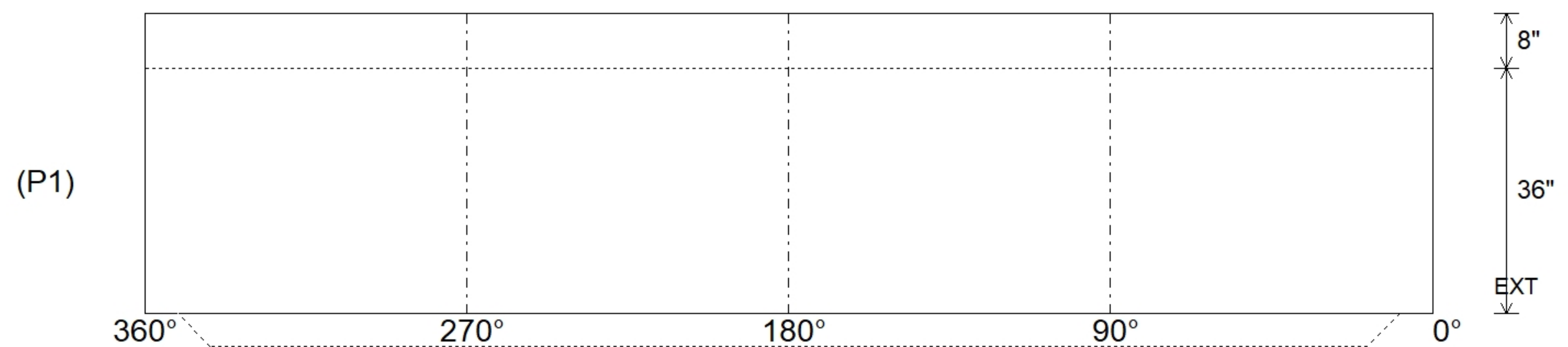
Position	Elev	Angle	Ext. (cw)	Pipe	Pipe OD	Connector	Hole	Horz Size	Up (L)	Offset
Invert 1										
Invert 2										
Invert 3										
Invert 4										
Invert 5										
Invert 6										
Invert 7										
Invert 8										

RIGHT-SIDE UP VIEW (int. dimensions)

UPSIDE-DOWN VIEW (int. dimensions)



INSIDE WALL DIMENSIONS



Coating (Int):	Seam Up: Tongue	Wall Thickness: 6"	Height (Int): 36"	Weight (Net): 6491 lb
Coating (Ext):	Seam Dn: n/a	Floor Height: 8"	Height (Ext): 44"	Volume (Net): 1.66cu.yd