

Job Name: 26-1402 12th Street Vault
Job Location: Bowling Green, KY
Contractor: Core & Main LP

PC: Trevor Lewis
 TECH: S. Felletter
 Plant: Beaver Dam



Structure ID: 1
 Spec: Storm
 Type: STM.MH (Open Btm)
 Size: 72"

Rim: 100'
 Invert: 95.75'
 Rim to Invert: 4.25'

Sump: 24"
 Floor (Top): 93.75'
 Floor Height: 0"

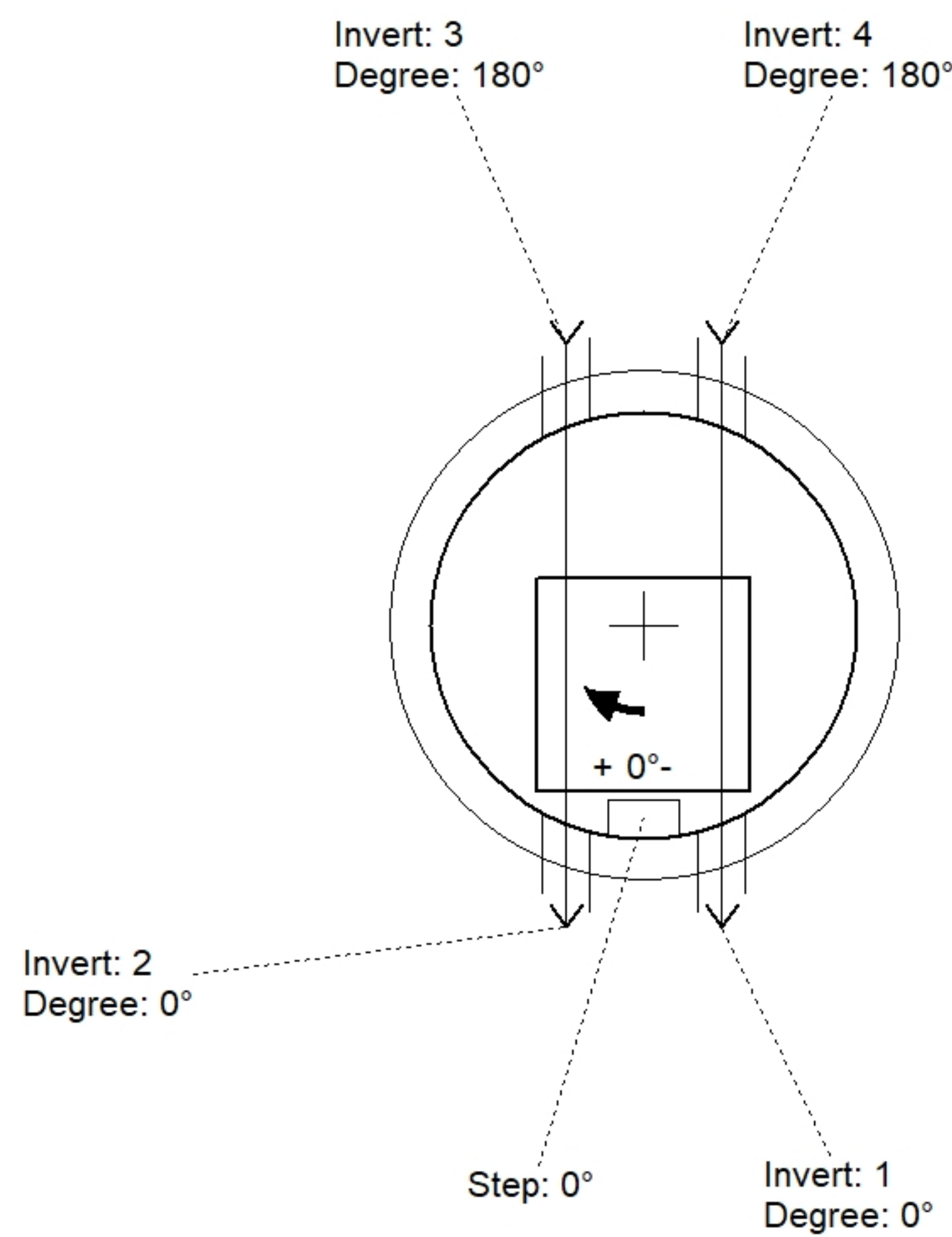
Floor (Bot): 93.75'
 Overall Height: 6.25'
 Slack: -0.002"

Structure Notes:

- PER ASTM C478 SPECIFICATIONS.
 - CONCRETE = 4,000 PSI AT 28 DAYS.
 - HATCH PROVIDED BY OTHERS. CAST-IN.
- REINFORCING PER ASTM A615 (GRADE 60).
 - TOP SLAB (As .62) #5 BARS AT 6" C.C.E.W.
 - RISER (As .18)

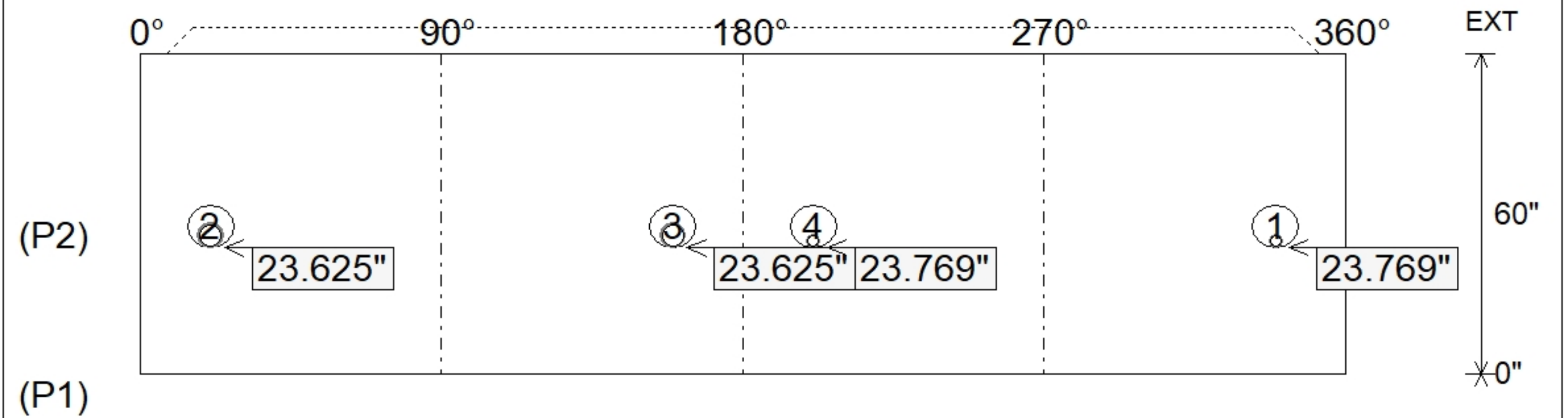
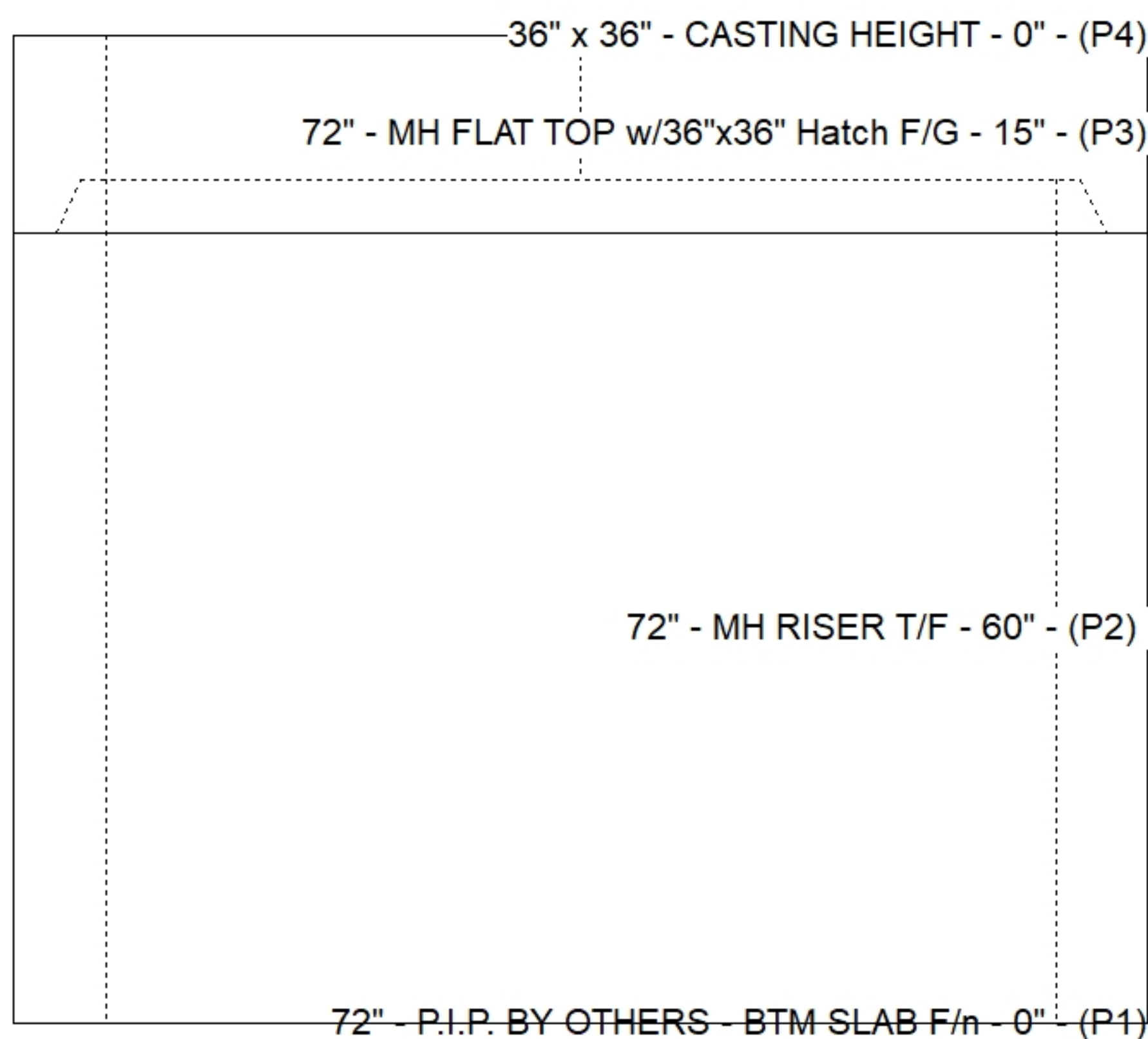
STRUCTURE SUMMARY:

P4) 36" x 36" - CASTING HEIGHT - 0"	0 lb
P3) 72" - MH FLAT TOP w/36"x36" Hatch F/G - 15"	4169 lb
P2) 72" - MH RISER T/F - 60"	8621 lb
P1) 72" - P.I.P. BY OTHERS - BTM SLAB F/n - 0"	0 lb
1) This Structure Includes a Cast-in Item	0 lb
2) 72" - Conseal CS-102 1.00"	0 lb
1) 36" x 36" - Conseal CS-102 1.00"	0 lb
4) Hole - 8	0 lb
5) MH Step ML-10-TDS-NCR - 10"	0 lb
Structure Total:	12791 lb



Position	Elev	Angle	Pipe	Pipe OD	Hole	Connector	Up (")	Ref
Rim	100'							
Reducer								
Invert 1	95.75'	0°	2" PVC SCH80	2.375"	8"	Hole 8	23.769"	P2
Invert 2	95.75'	0°	4" DI	4.75"	8"	Hole 8	23.625"	P2
Invert 3	95.75'	180°	4" DI	4.75"	8"	Hole 8	23.625"	P2
Invert 4	95.75'	180°	2" PVC SCH80	2.375"	8"	Hole 8	23.769"	P2
Invert 5								
Invert 6								
Invert 7								
Invert 8								

Default - Interior Dimensions



Submittal Drawing
 2/20/2026 9:48:21 AM

SUBMITTAL
 APPROVED BY: