

Job Name: 26-1400 ADS Candlewood Suites
Job Location: Jackson, TN
Contractor: ADS Advanced Drainage Systems, Inc.

PC: C. Goff
 TECH: S. Felletter
 Plant: Beaver Dam



Structure ID: **A9-2**
 Spec: Storm
 Type: STM.MH
 Size: 72"

Rim: 471.41'
 Invert: 467.26'
 Rim to Invert: 4.15'

Sump: 81"
 Floor (Top): 460.51'
 Floor Height: 8"

Floor (Bot): 459.843'
 Overall Height: 11.5'
 Slack: 0.8"

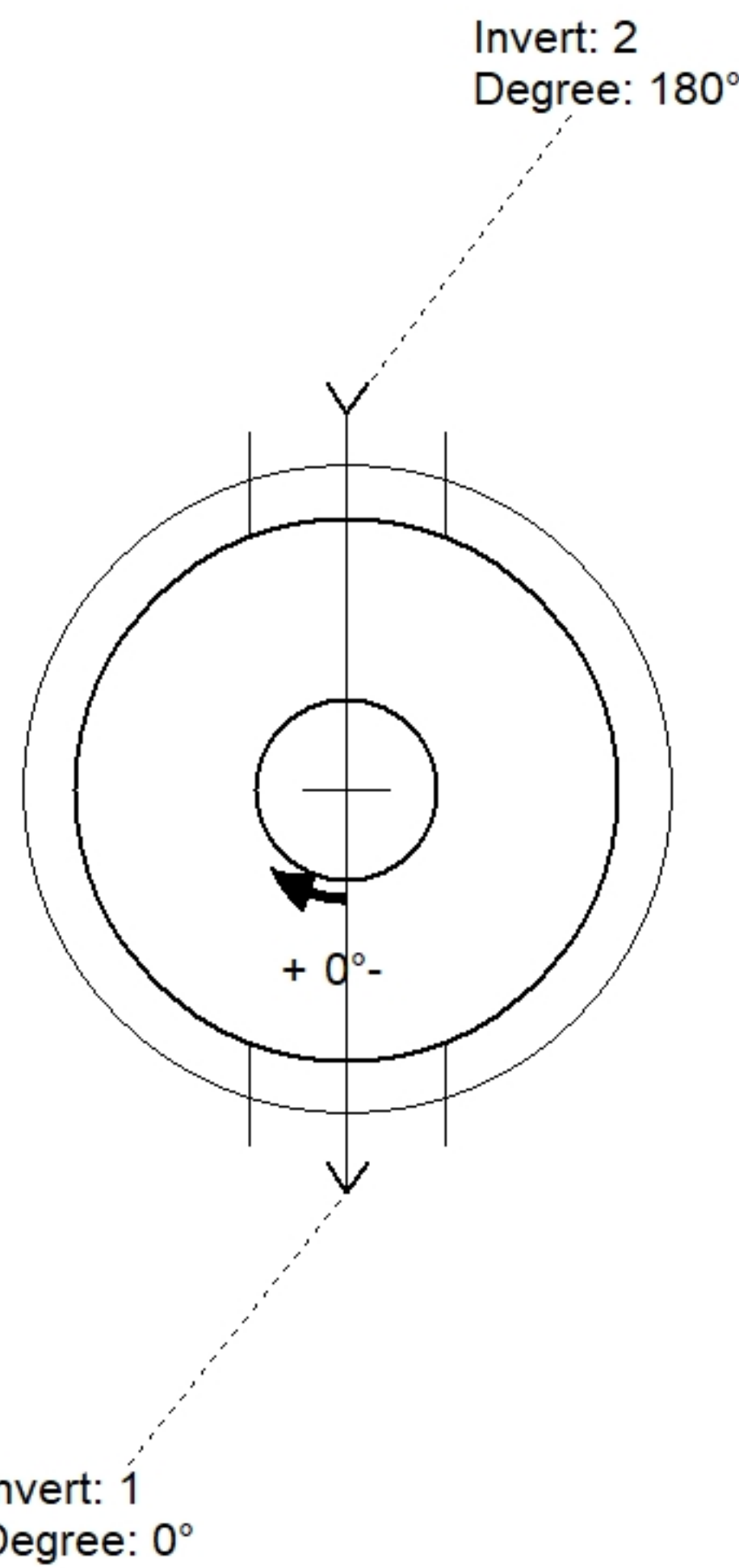
Structure Notes:

- PER ASTM C478 SPECIFICATIONS.
- CONCRETE = 4,000 PSI AT 28 DAYS.
- CASTING BY ICAST (HOE MC-375 "STORM")
- LIFTING ANCHORS TO BE INSTALLED ON THE OUTSIDE OF THE STRUCTURE.
- P2 & P3 RISERS TO BE MECHANICALLY ATTACHED BEFORE INTERNAL INSTALLATION/DELIVERY.

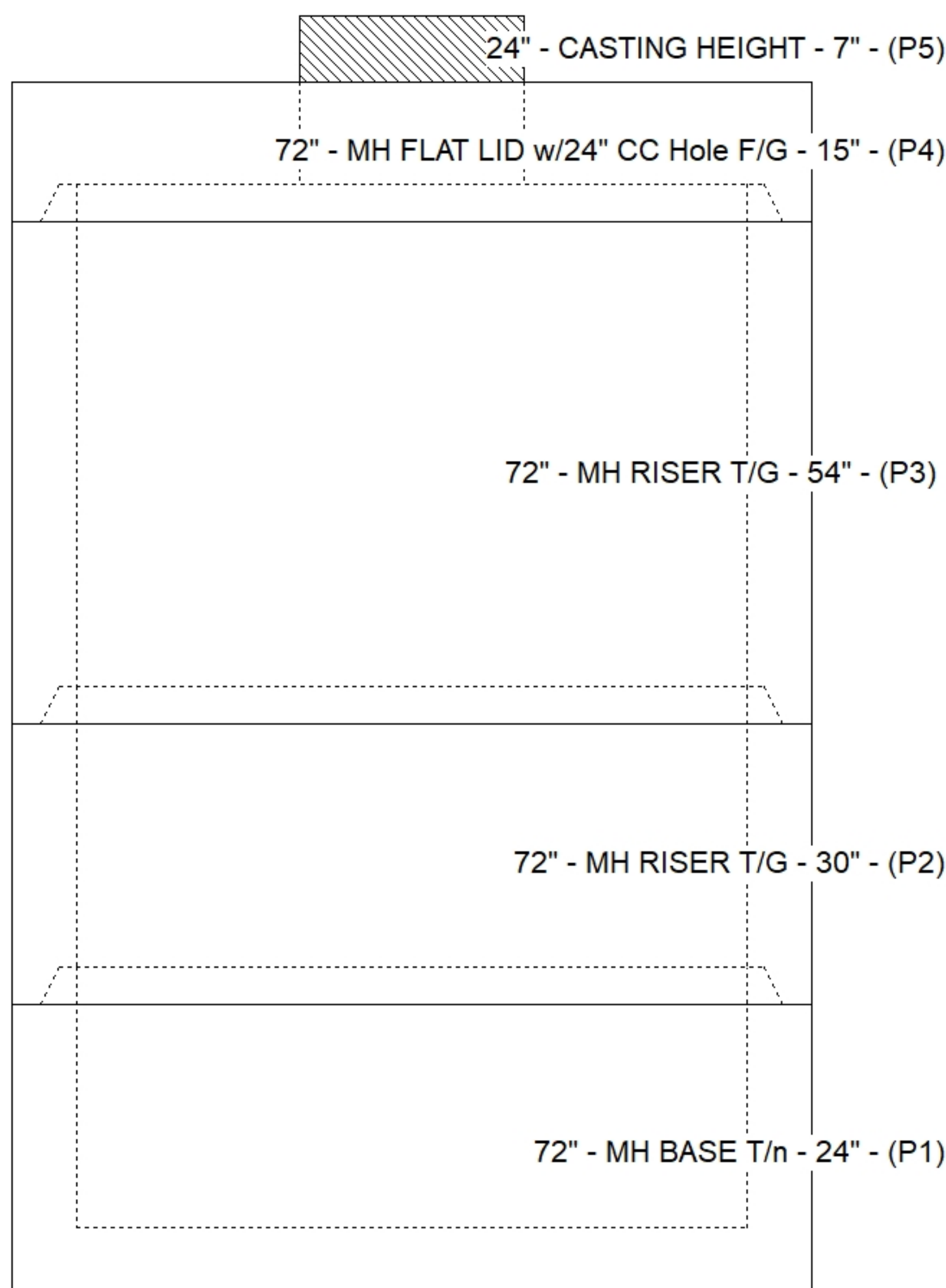
REINFORCING PER ASTM A615 (GRADE 60).
 - TOP SLAB (As .62) #5 BARS AT 6" C.C.E.W..
 - RISER/WALLS (As .18)
 - FLOOR (As .37) #5 BARS AT 10" C.C.E.W.

STRUCTURE SUMMARY:

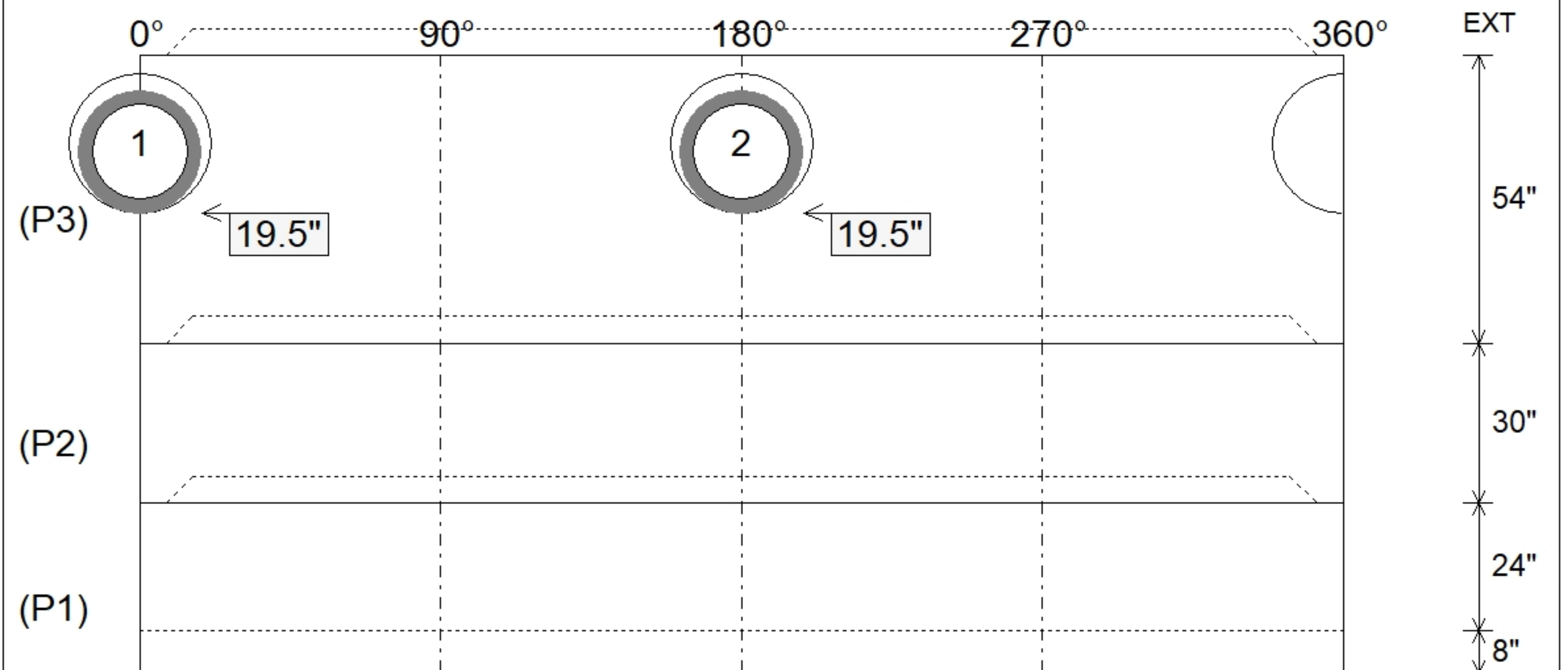
P5) 24" - CASTING HEIGHT - 7"	0 lb
P4) 72" - MH FLAT LID w/24" CC Hole F/G - 15"	5097 lb
P3) 72" - MH RISER T/G - 54"	7236 lb
P2) 72" - MH RISER T/G - 30"	4373 lb
P1) 72" - MH BASE T/n - 24"	7398 lb
1) JOINT WRAP - 0.065"x6"x50' CONSEAL CS212	0 lb
1) JOINT WRAP PRIMER - CONSEAL CS-75 (1 gal.)	0 lb
1) ASSEMBLY REQUIRED	0 lb
1) CASTING - HOE MC-375 F/C Storm	271 lb
3) 72" - Conseal CS-102 1.00" (Double)	0 lb
2) Hole - 26	0 lb
Structure Total:	24376 lb



Position	Elev	Angle	Pipe	Pipe OD	Hole	Connector	Up (L)	Ref
Rim	471.41'							
Reducer								
Invert 1	467.26'	0°	18" RCP B WALL	23"	26"	Hole 26	19.5"	P3
Invert 2	467.26'	180°	18" RCP B WALL	23"	26"	Hole 26	19.5"	P3
Invert 3								
Invert 4								
Invert 5								
Invert 6								
Invert 7								
Invert 8								



Default - Interior Dimensions



Submittal Drawing
 3/6/2026 9:52:40 AM

SUBMITTAL
 APPROVED BY: