

Structure ID: A9-2

P3 MH072RS54

MH RISER T/G

P5) 24" - CASTING HEIGHT - 7" P4) 72" - MH FLAT LID w/24" CC Hole F/G - 15" P3) 72" - MH RISER T/G - 54" P2) 72" - MH RISER T/G - 30" P1) 72" - MH BASE T/n - 24" 1) JOINT WRAP - 0.065"x6"x50' CONSEAL CS212 1) JOINT WRAP PRIMER - CONSEAL CS-75 (1 gal.) 1) ASSEMBLY REQUIRED 1) CASTING - HOE MC-375 F/C Storm 3) 72" - Conseal CS-102 1.00" (Double) 2) Hole - 26	0 lb 5097 lb 7236 lb 4373 lb 7398 lb 0 lb 0 lb 0 lb 271 lb 0 lb 0 lb ----- Structure Total: 24376 lb
--	--

Structure Notes:

1. PER ASTM C478 SPECIFICATIONS.
2. CONCRETE = 4,000 PSI AT 28 DAYS.
3. CASTING BY ICAST (HOE MC-375 "STORM")
4. LIFTING ANCHORS TO BE INSTALLED ON THE OUTSIDE OF THE STRUCTURE.
5. P2 & P3 RISERS TO BE MECHANICALLY ATTACHED BEFORE INTERNAL INSTALLATION/DELIVERY.

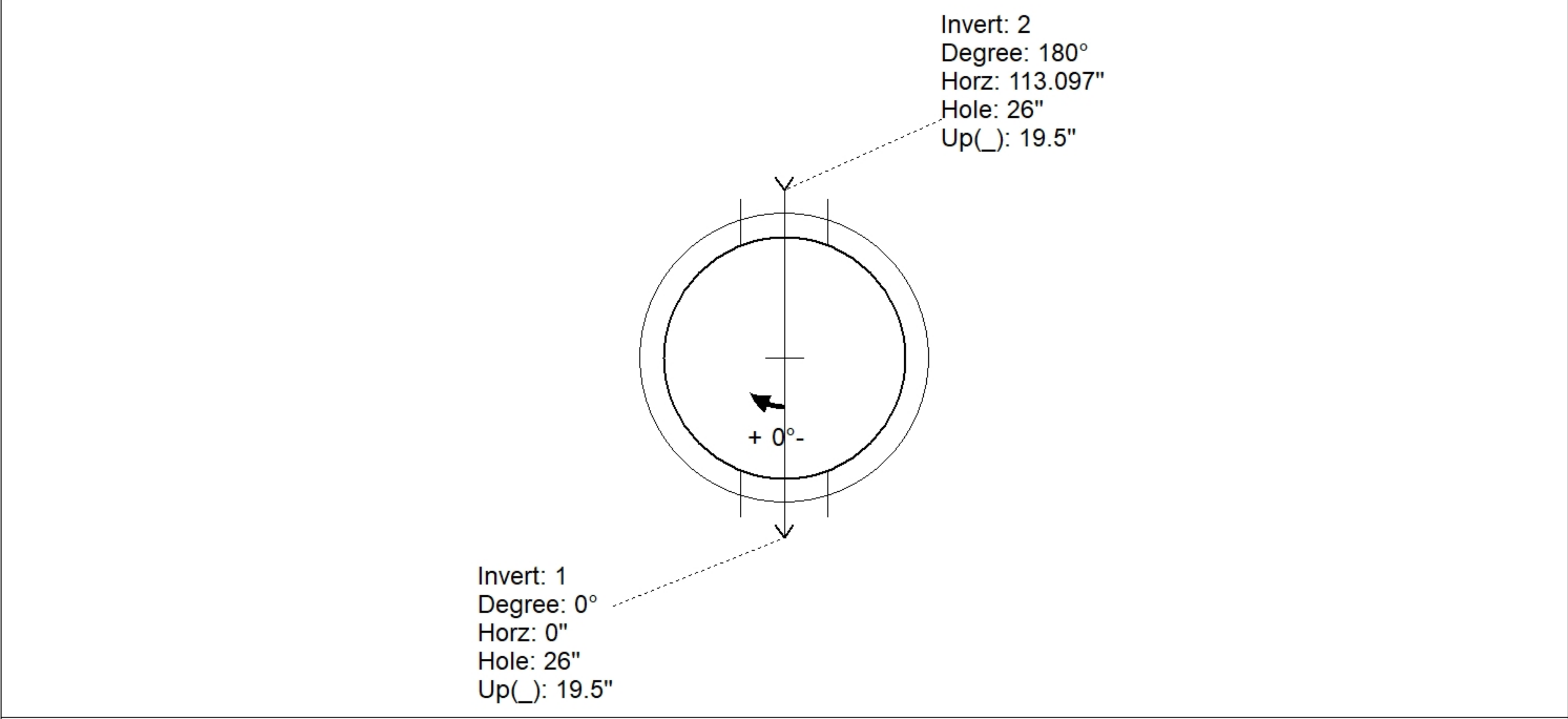
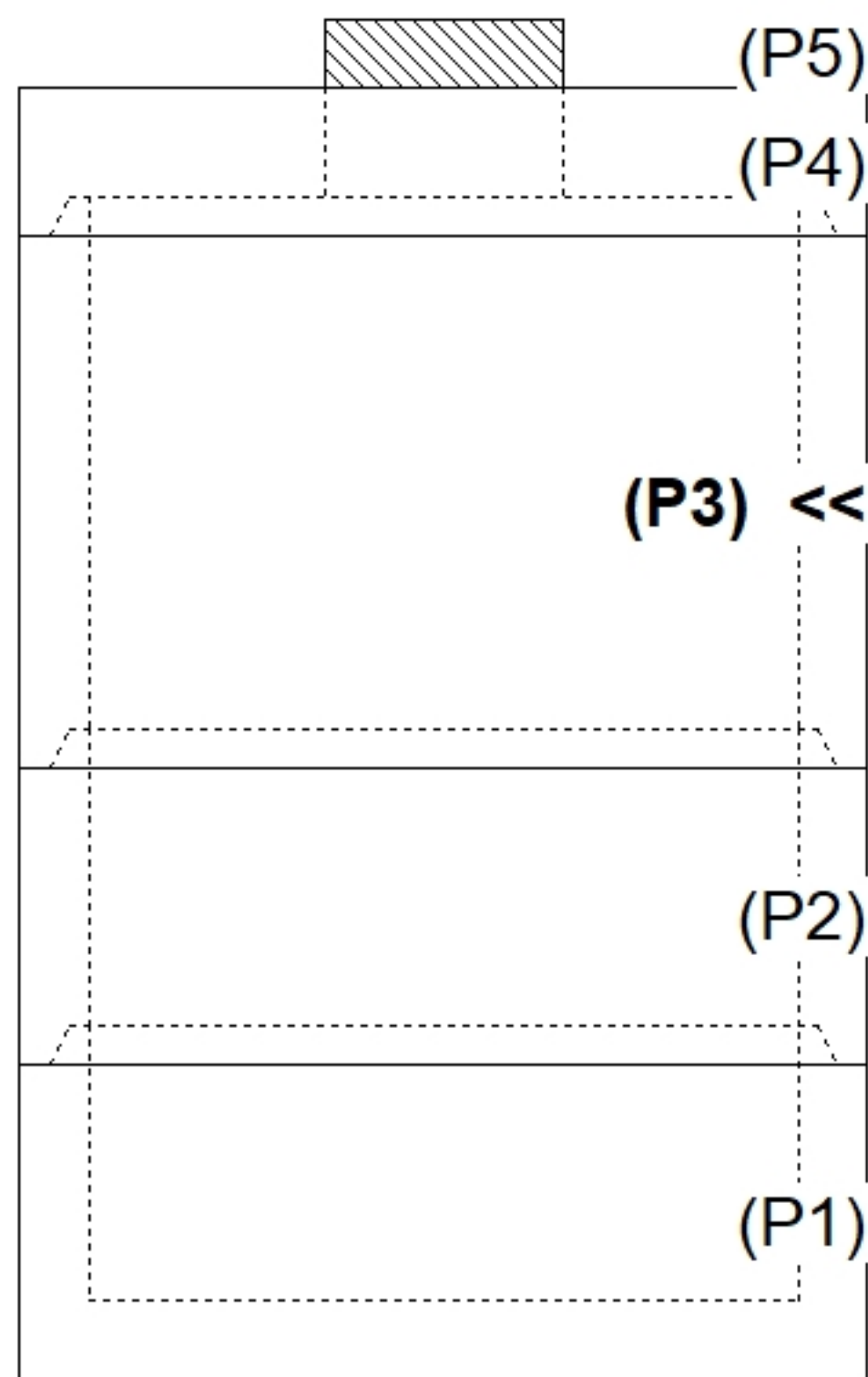
REINFORCING PER ASTM A615 (GRADE 60).

- TOP SLAB (As .62) #5 BARS AT 6" C.C.E.W..
- RISER/WALLS (As .18)
- FLOOR (As .37) #5 BARS AT 10" C.C.E.W.

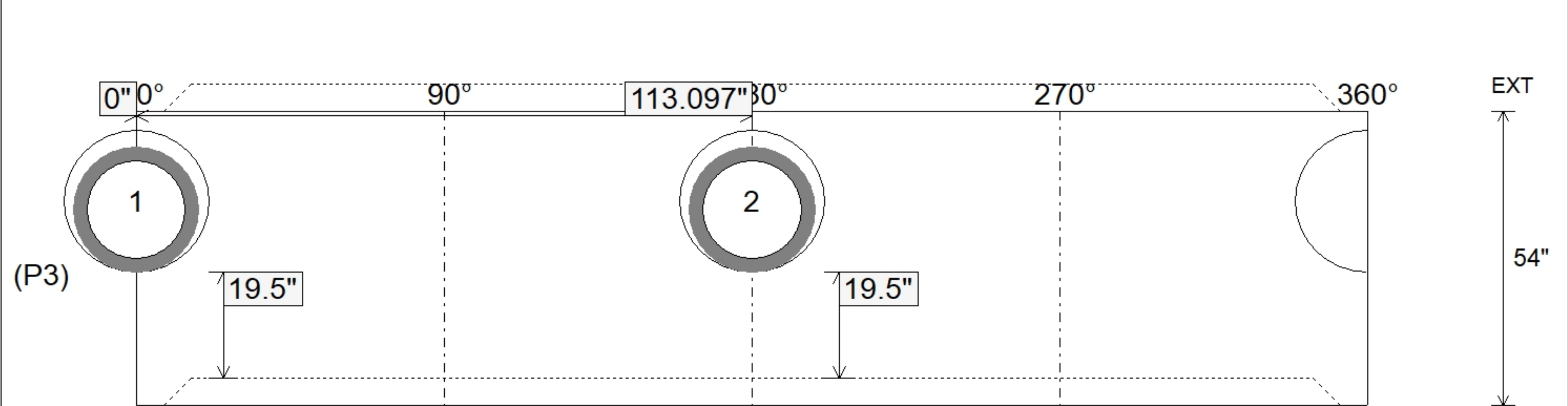
Rim: 471.41' Rim to Invert: 4.15' Slack: 0.8" Sump: 81" Step Position:

Position	Elev	Angle	Ext. (cw)	Pipe	Pipe OD	Connector	Hole	Horz Size	Up ()	Offset
Invert 1	467.26'	0°	0"	18" RCP B WALL	23"	Hole 26	26"	26.601"	19.5"	0"
Invert 2	467.26'	180°	135.088"	18" RCP B WALL	23"	Hole 26	26"	26.601"	19.5"	0"
Invert 3										
Invert 4										
Invert 5										
Invert 6										
Invert 7										
Invert 8										

RIGHT-SIDE UP VIEW (int. dimensions)



INSIDE WALL DIMENSIONS



Coating (Int): Coating (Ext):	Seam Up: Tongue Seam Dn: Groove	Wall Thickness: 7" Floor Height: 0"	Height (Int): 54" Height (Ext): 54"	Weight (Net): 7236 lb Volume (Net): 1.85cu.yd
----------------------------------	------------------------------------	--	--	--