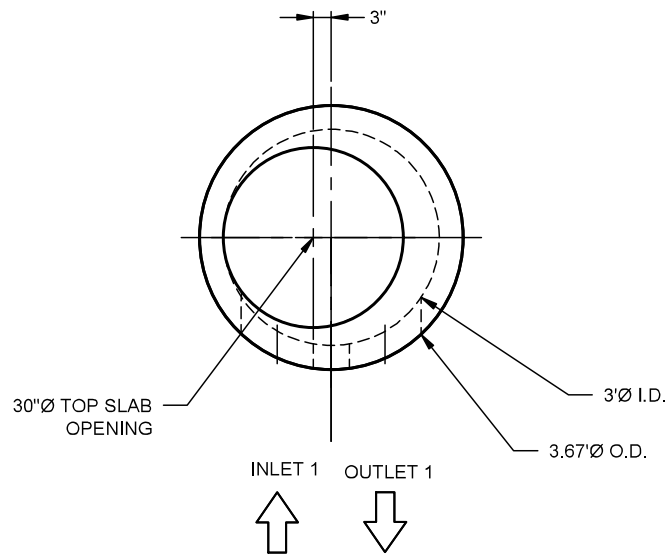
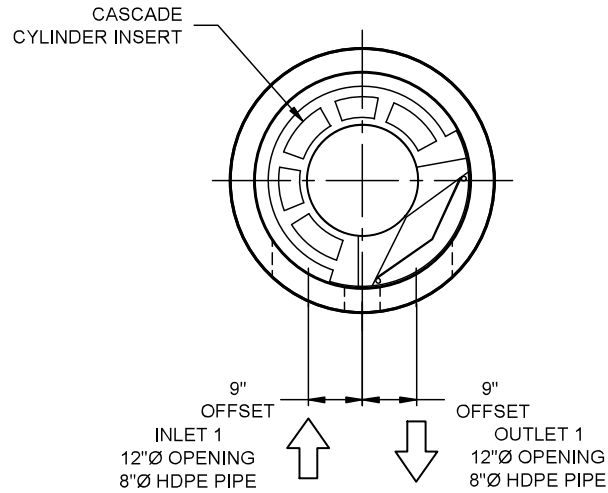


26-1370 - 833973 Cedar Creek Connector



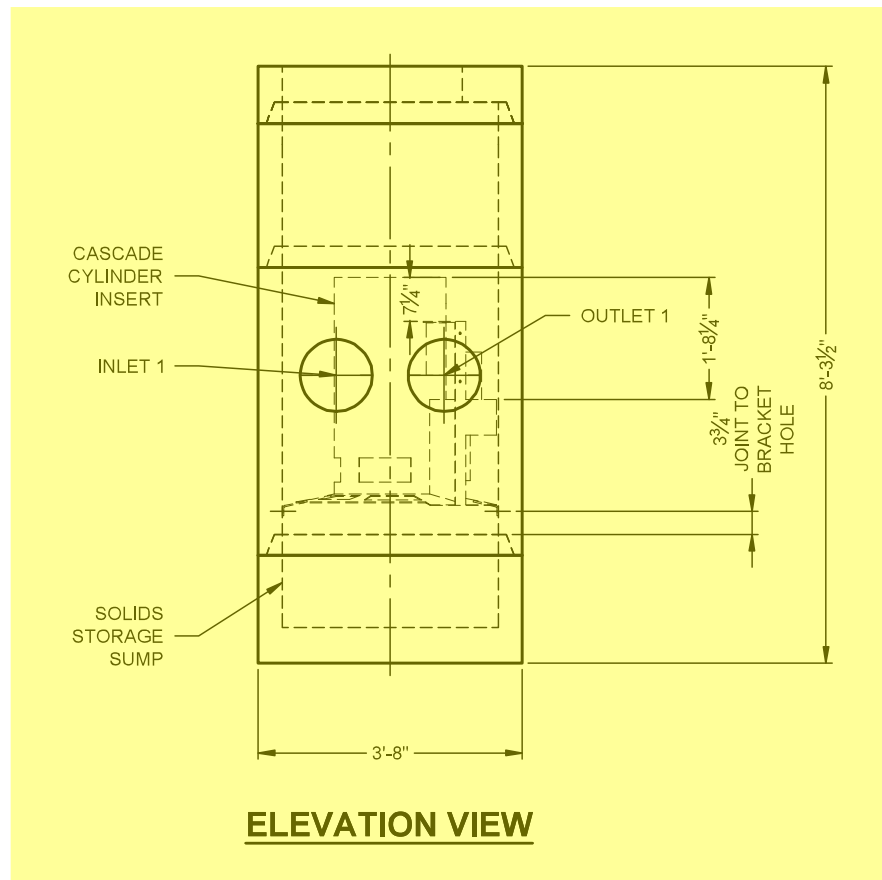
PLAN VIEW
INTERNALS NOT SHOWN



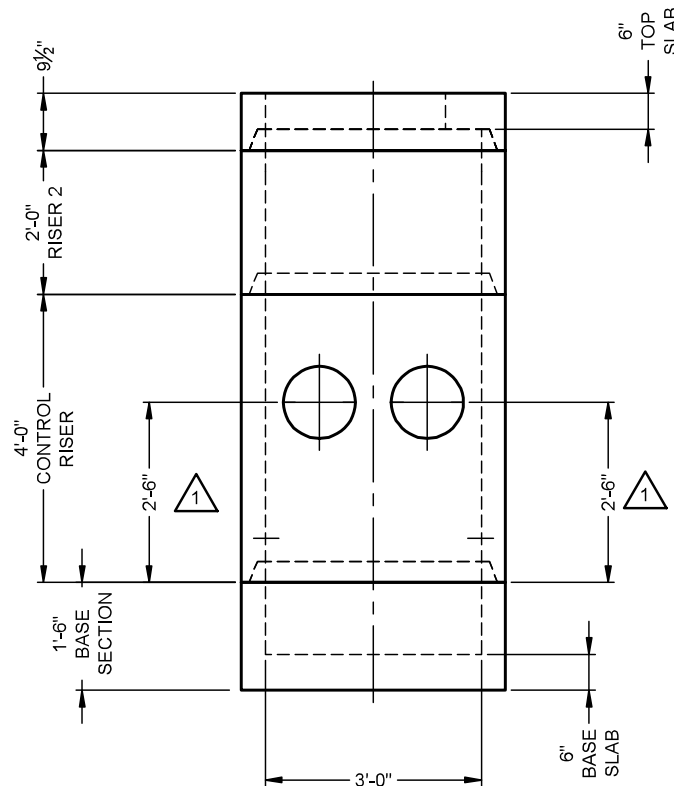
PLAN VIEW FOR PIPE ORIENTATION
TOP SLAB NOT SHOWN

SEE INSTALLATION NOTE A

10-CS-3
ICAST to fully pre-assemble internal materials prior to shipment



ELEVATION VIEW



PRECAST COMPONENTS
INTERNALS NOT SHOWN

ICAST
5888 / 757440
LAYOUT 1A
2.48TS

CONTECH
FABRICATION
DRAWING

MATERIAL LIST

| COUNT | DESCRIPTION | PART NUMBER | PROVIDED BY | INSTALLED BY |
|-------|--|-------------|-------------|--------------|
| 1 | CS-3 CYLINDER INSERT, STD. | 325-004190 | CONTECH | PRECASTER |
| 3 | CS-3 ALUMINUM INSTALLATION BRACKETS | 325-003956 | CONTECH | PRECASTER |
| 1 | CS-3 HARDWARE KIT | 325-003955 | CONTECH | PRECASTER |
| 1 | SEALANT FOR JOINTS | | PRECASTER | CONTRACTOR |
| 1 | 30"Ø X 4" FRAME AND COVER, EJ #41600483, OR EQUIV. | 325-000332 | CONTECH | CONTRACTOR |

GENERAL NOTES

- DESIGN LOADING - AASHTO HS-20
- ALL PRECAST CONCRETE MANUFACTURED PARTS SHALL CONFORM TO ASTM C-478, WITH MINIMUM CONCRETE STRENGTH OF 4000 PSI AT 28 DAYS
- JOINT SEALANT SHALL CONFORM TO ASTM C-990 OR ASTM C-443
- GROUND WATER ELEVATION ASSUMED AT OUTLET INVERT
- MANUFACTURING TOLERANCE = +/- 1/2-INCH
- SOME HIDDEN LINES MAY BE OMITTED FOR CLARITY

INSTALLATION NOTES

- PRECASTER TO SHIP ACCESS CASTINGS WITH STRUCTURE
- REFER TO CONTECH ASSEMBLY INSTRUCTIONS FOR ADDITIONAL INFORMATION.
- PRECASTER TO INSTALL INTERNAL COMPONENTS PRIOR TO SHIPPING UNLESS INSTRUCTED OTHERWISE BY CONTECH
- PIPE OPENINGS SHALL BE STENCILED "INLET" OR "OUTLET" AS APPROPRIATE
- APPLYING ALIGNMENT MARKS ON ALL PIECES OF MULTIPLE PIECE ASSEMBLIES IS ENCOURAGED
- IF STRUCTURE IS DELIVERED IN MULTIPLE SECTIONS, EACH PIECE SHALL BE LABELED WITH THE CONTECH PROJECT NUMBER, SEQUENCE NUMBER AND SITE DESIGNATION

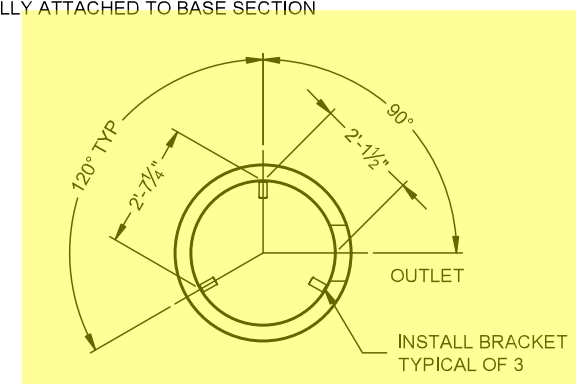
SITE INFORMATION

RIM ELEV. = 681 +/-
TOP OF STRUCTURE = 680.63
INLET PIPE 1 INVERT ELEV. = 676.00
INLET PIPE 1 DIAMETER AND MATERIAL = 8"Ø HDPE
OUTLET PIPE INVERT ELEV. = 676.00
OUTLET PIPE DIAMETER AND MATERIAL = 8"Ø HDPE
OUTSIDE BOTTOM OF STRUCTURE ELEV. = 672.33

STRUCTURE WEIGHT

APPROXIMATE HEAVIEST PICK = 4000 LBS.
STRUCTURE IS DELIVERED IN 3 PIECES

TOP SLAB = 1000 LBS.
RISER 2 = 1500 LBS. LBS.
CONTROL RISER = MECHANICALLY ATTACHED TO BASE SECTION
BASE SECTION = 4000 LBS.



SUPPORT BRACKET LAYOUT PLAN VIEW

The design and information shown on this drawing is the property of CONTECH Engineered Solutions LLC, a subsidiary of CONTECH Construction Products Inc. or one of its affiliated companies ("CONTECH"). Neither this drawing, nor any part thereof, may be used, copied, reproduced, or transmitted in any form or by any means, electronic or mechanical, including photocopying, recording, or by any information storage and retrieval system, without the prior written consent of CONTECH. Failure to comply with these terms and conditions shall constitute a breach of contract and shall constitute a license to use the design and information shown on this drawing for the project only. CONTECH expressly disclaims any liability or responsibility for such use. If discrepancies between the supplied information upon which the drawing is based and actual field conditions are encountered as site work progresses, these are to be resolved by the contractor. CONTECH immediately for re-evaluation of the design. CONTECH accepts no liability for designs based on missing, incomplete or inaccurate information supplied by others.

| NO. | DATE | REVISION DESCRIPTION | BY |
|-----|-----------|----------------------|-----|
| 1 | 2/18/2026 | DIM ADJUSTED | MDB |

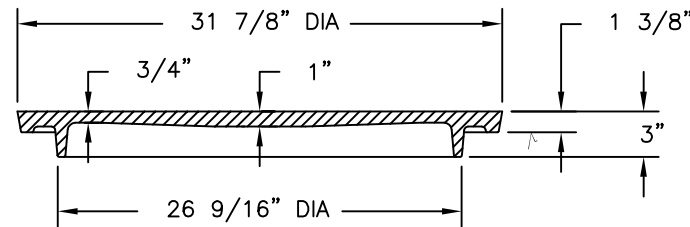
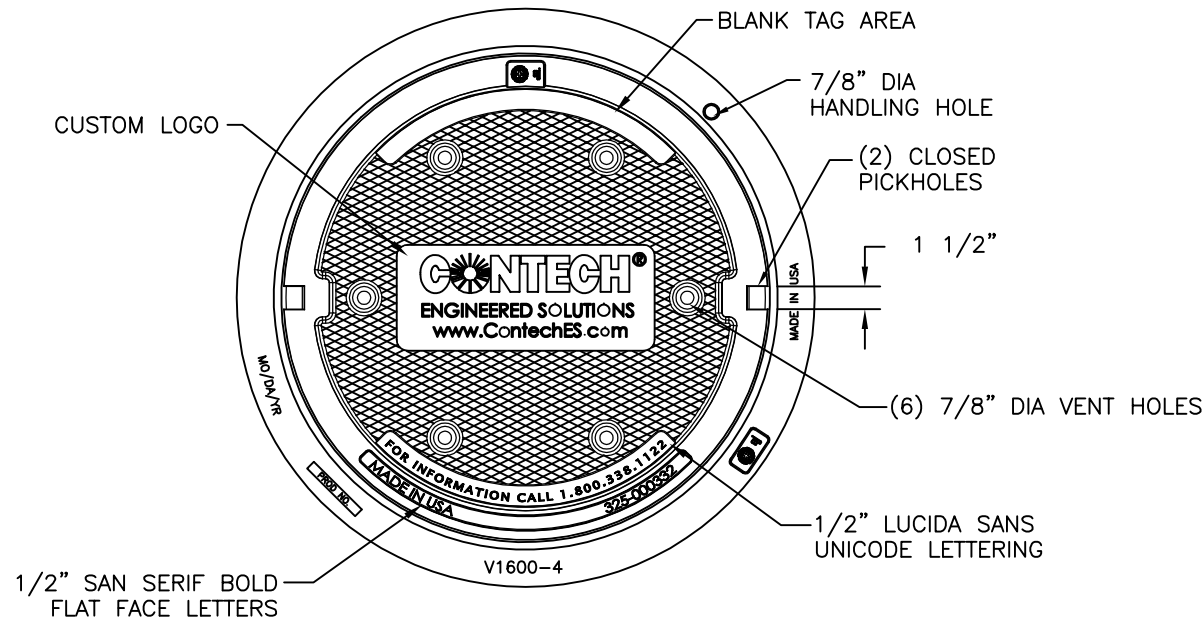
CS-3 - 833973-10
CEDAR CREEK CONNECTOR
LOUISVILLE, KY
SITE DESIGNATION: WQU EAST

CONTECH
ENGINEERED SOLUTIONS LLC
A CONTECH COMPANY
8100 Centre Pointe Dr., Suite 400, West Chester, OH 45386
937.633.1122 513.645.7000 513.645.7883 FAX
CASCADE separator
FOR PATENT INFORMATION, GO TO www.contech.com/FP

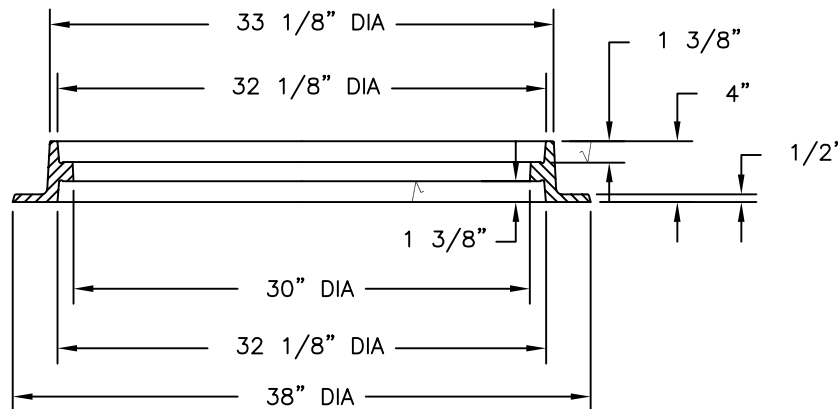
| | | | |
|--------------|----------|---------------|-----|
| DATE: | 10/08/25 | | |
| DESIGNED: | MDB | DRAWN: | HJF |
| CHECKED: | MDB | APPROVED: | MDB |
| PROJECT No.: | 833973 | SEQUENCE No.: | 10 |
| SHEET: | 1 | OF | 1 |

26-1370 - 833973 Cedar Creek Connector

1810B4 V1600-4 Assembly



COVER SECTION



FRAME SECTION

Product Number
41600483

Design Features

- Materials
 - Cover
Gray Iron (CL35B)
 - Frame
Gray Iron (CL35B)
- Design Load
Heavy Duty
- Open Area
n/a
- Coating
Undipped
- √ Designates Machined Surface

Certification

- ASTM A48
- Country of Origin: USA

Major Components

00180783
41600410

Drawing Revision

05/09/2007 Designer: SMH
6/26/2017 Revised By: DAE

Disclaimer

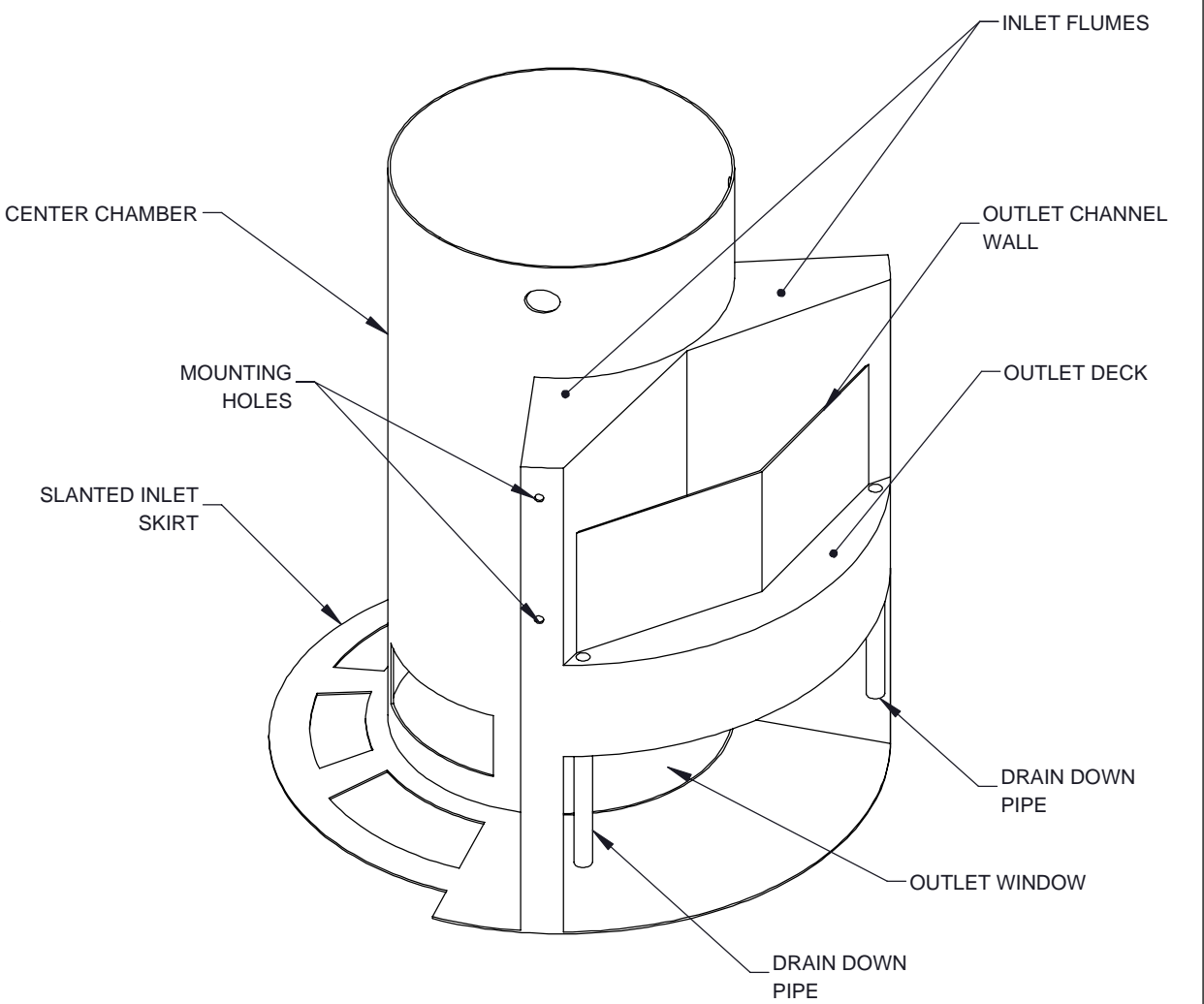
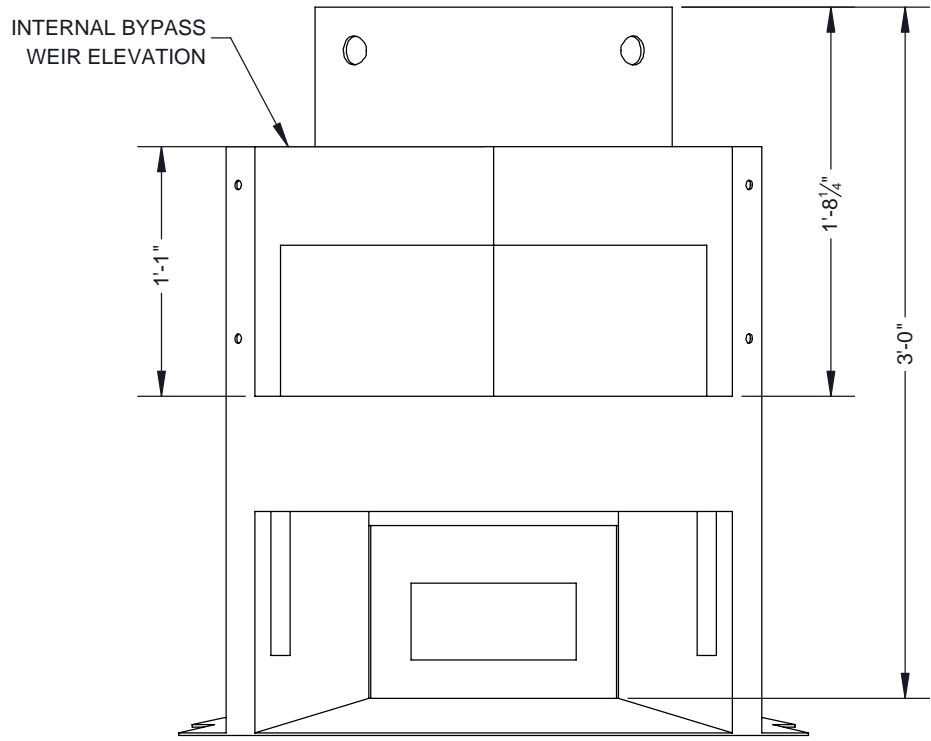
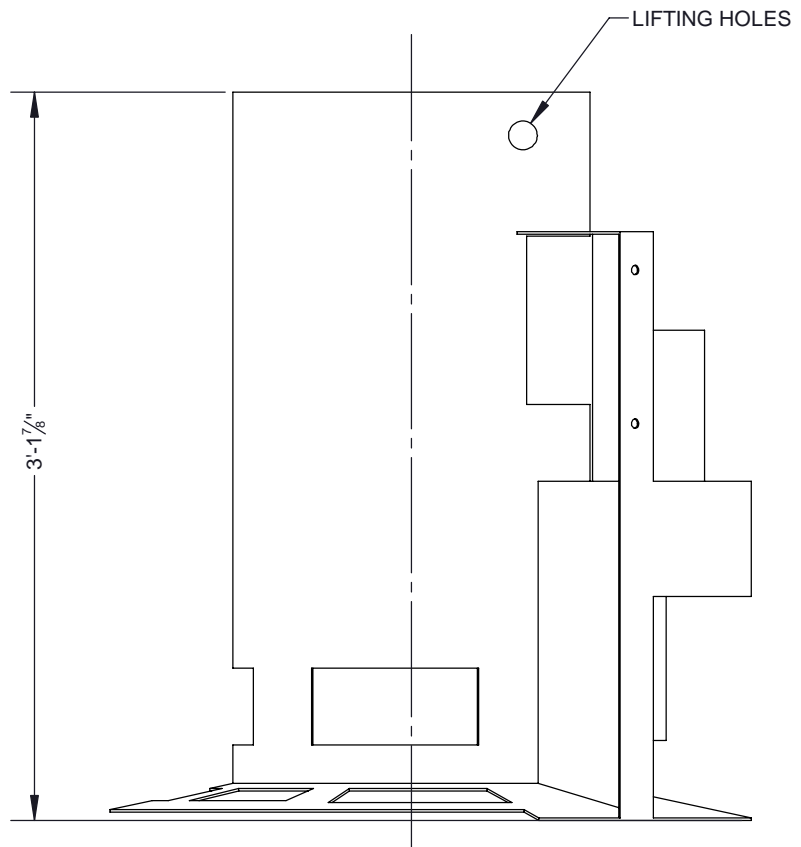
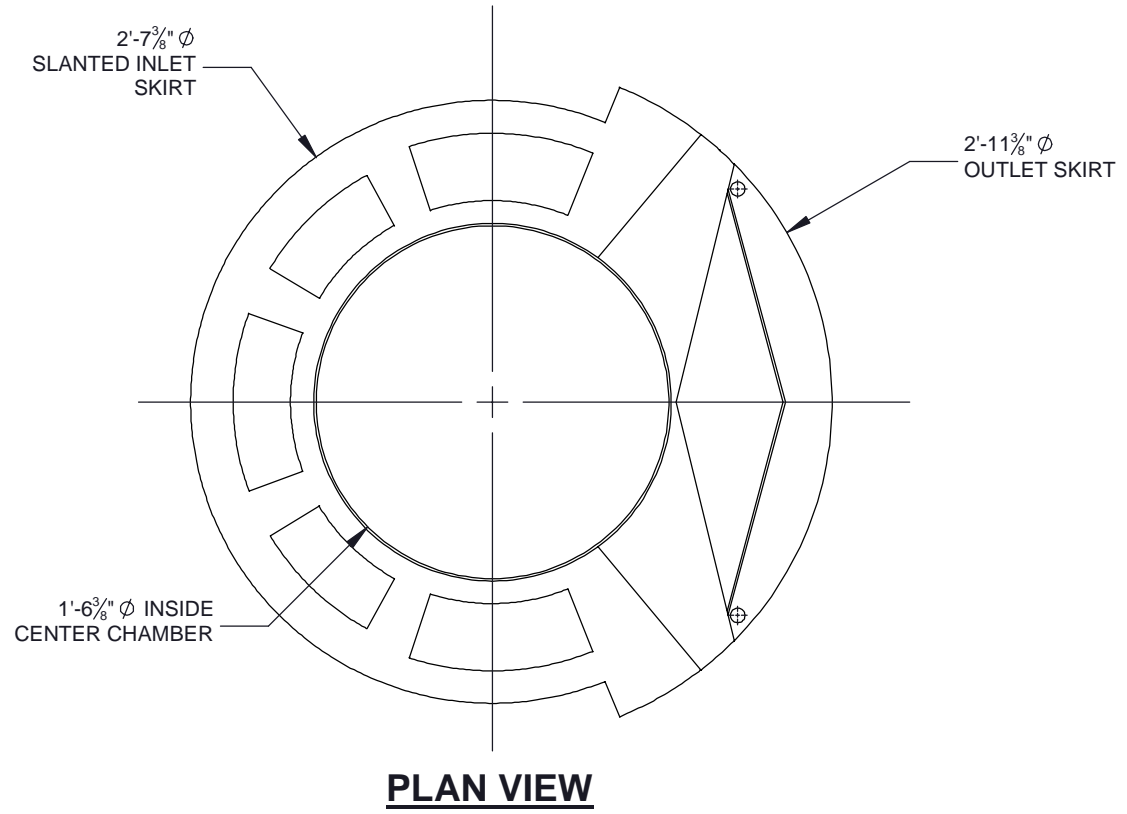
Weights (lbs./kg) dimensions (inches/mm) and drawings provided for your guidance. We reserve the right to modify specifications without prior notice.

CONFIDENTIAL: This drawing is the property of EJ GROUP, Inc., and embodies confidential information, registered marks, patents, trade secret information, and/or know how that is the property of EJ GROUP, Inc. Copyright © 2012 EJ GROUP, Inc. All rights reserved.

Contact

800 626 4653
ejco.com

26-1370 - 833973 Cedar Creek Connector



NOTES:
1. SEE CASCADE SEPARATOR INSTALLATION GUIDE FOR ADDITIONAL INFORMATION

The design and information shown on this drawing is provided as a service to the project owner, engineer and contractor by Contech Engineered Solutions LLC, or one of its affiliated companies ("Contech"). Neither this drawing, nor any part thereof, may be used, reproduced or modified in any manner without the prior written consent of Contech. Failure to comply is done at the user's own risk and Contech expressly disclaims any liability or responsibility for such use.

If discrepancies between the supplied information upon which the drawing is based and actual field conditions are encountered as site work progresses, these discrepancies must be reported to Contech immediately for re-evaluation of the design. Contech accepts no liability for designs based on missing, incomplete or inaccurate information supplied by others.

CASCADE

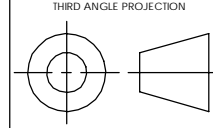
separator™

CONTECH
ENGINEERED SOLUTIONS LLC

www.ContechES.com

9025 Centre Pointe Dr., Suite 400, West Chester, OH 45069
800-338-1122 513-645-7000 513-645-7993 FAX

REFERENCE DETAIL
INTERNALS ALUMINUM CS-3
CASCADE SEPARATOR



UNLESS OTHERWISE SPECIFIED
DIMENSIONS ARE IN INCHES

TOLERANCES:
FRACTIONAL $\pm 1/16$
ANGLES ± 1 DEGREE
TWO PLACE DECIMAL ± 0.06
THREE PLACE DECIMAL ± 0.030

| | | |
|--|---|--------------------------|
| <small>PART NUMBER:</small> 325-004190 | | |
| <small>APPROVED BY:</small> M. BROOKS | <small>DRAWN BY:</small> J. BELL | |
| <small>APPROVED BY DATE:</small> 2021.10.21 | <small>DRAWN BY DATE:</small> 2021.09.16 | <small>REV:</small> A |
| <small>SCALE:</small> N/A | <small>SHEET 1 OF 1</small> | |