

Job Name: 26-1370 833973 Cedar Creek Connector
Job Location: Louisville, KY
Contractor: Contech Engineering Solutions

PC: T. Sekula
 TECH: S. Felletter
 Plant: Beaver Dam



Structure ID: **15-CS-4**
 Spec: Storm-Pipe Centered
 Type: STM.MH
 Size: 48"

Rim: 684.75'
 Invert: 679.95'
 Rim to Invert: 4.8'

Sump: 51"
 Floor (Top): 675.7'
 Floor Height: 6"

Floor (Bot): 675.2'
 Overall Height: 9.333'
 Slack: 2.6"

Structure Notes:
 4" CASTING BY OTHERS

LIFTING ANCHORS TO BE INSTALLED
 ON THE OUTSIDE OF THE STRUCTURE

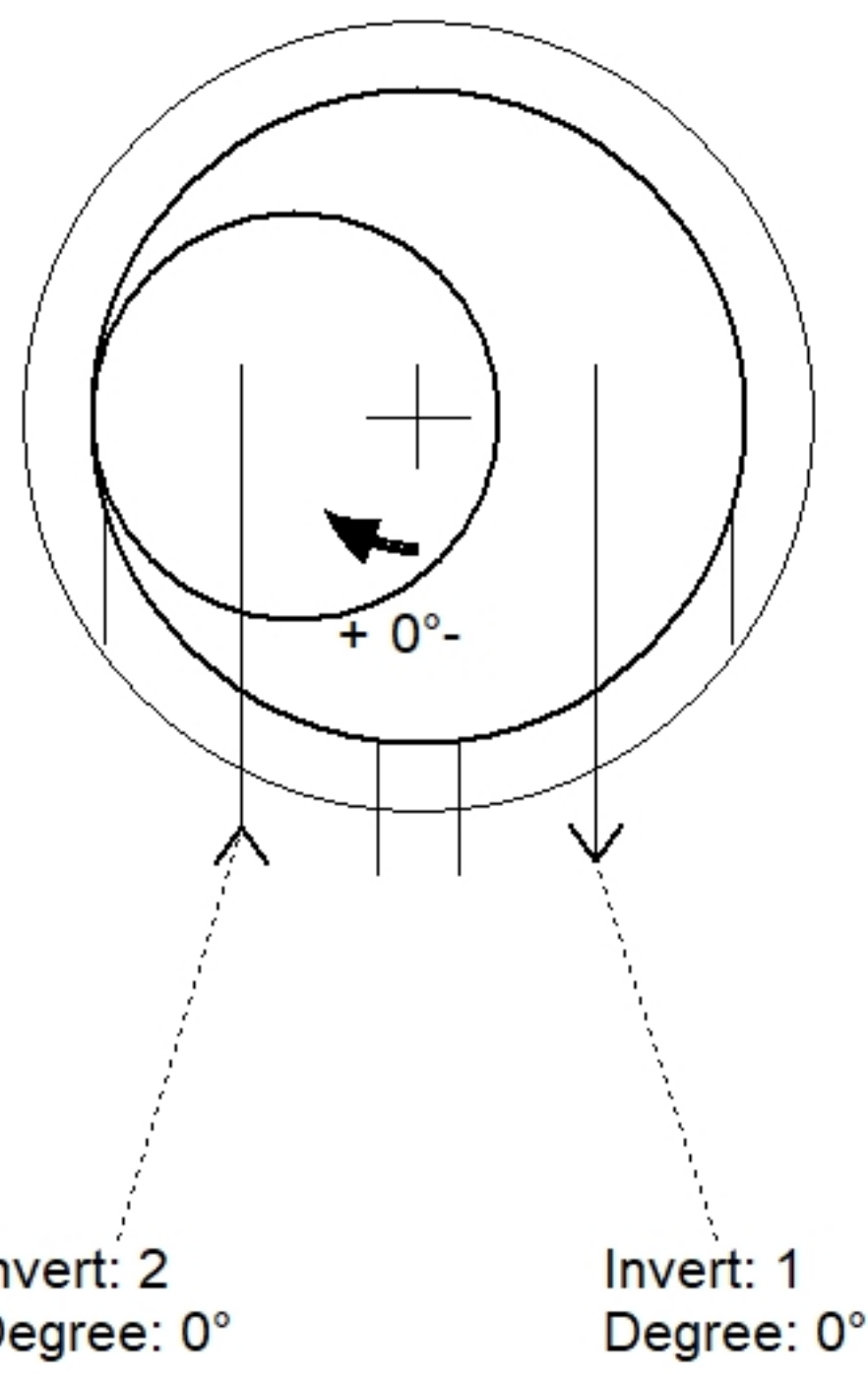
ICAST TO INSTALL THE INTERNALS

CONTECH'S LOGO AS WELL AS THE
 INLET AND OUTLET MUST BE
 STENCILED ONTO THE STRUCTURE

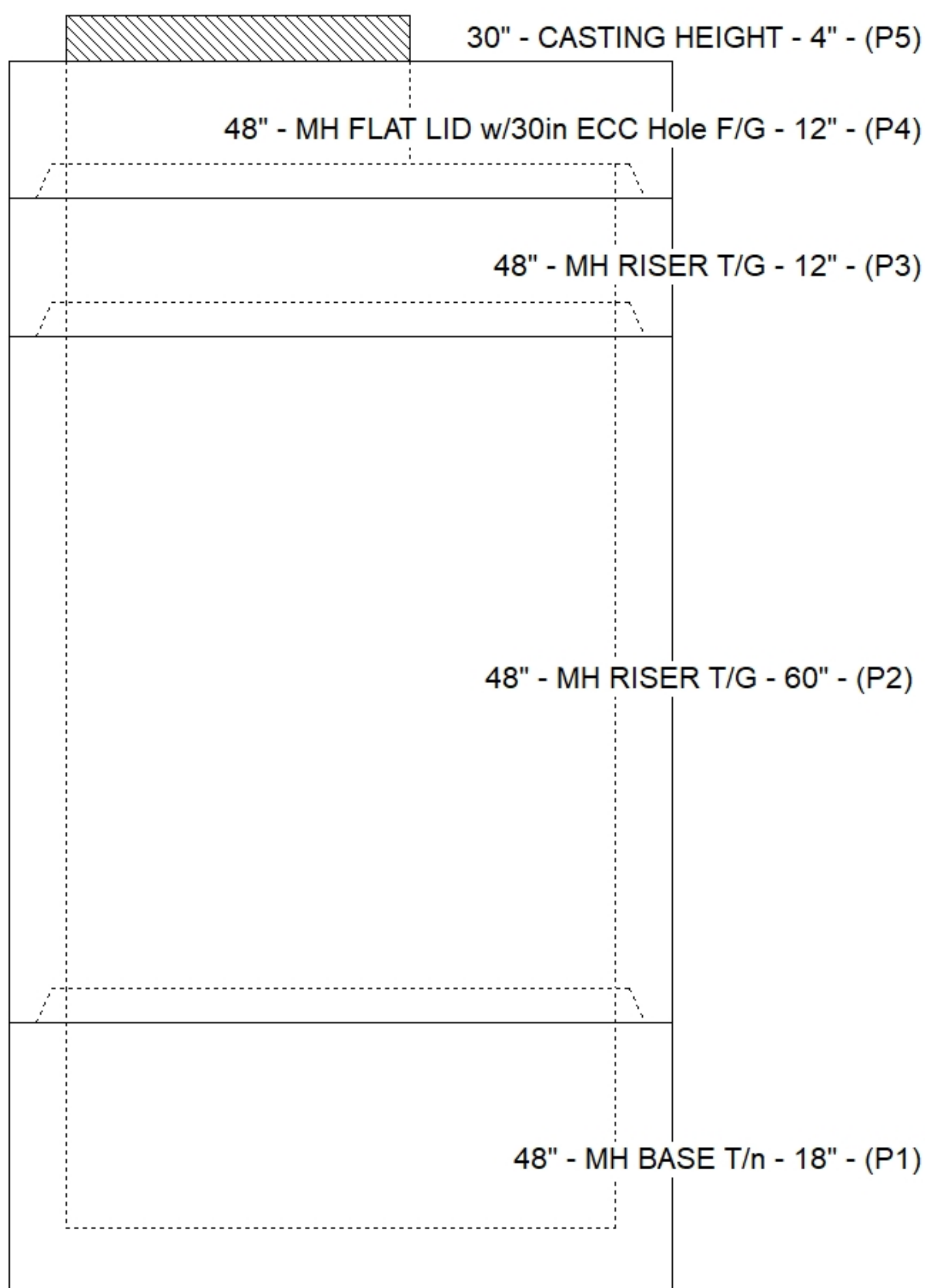
STRUCTURE SUMMARY:

P5) 30" - CASTING HEIGHT - 4"	0 lb
P4) 48" - MH FLAT LID w/30in ECC Hole F/G - 12"	1413 lb
P3) 48" - MH RISER T/G - 12"	838 lb
P2) 48" - MH RISER T/G - 60"	3853 lb
P1) 48" - MH BASE T/n - 18"	2588 lb
1) CVSTENCILING	0 lb
1) ASSEMBLY REQUIRED	0 lb
3) 48" - Conseal CS-102 1.00"	0 lb
2) Hole - 20	0 lb

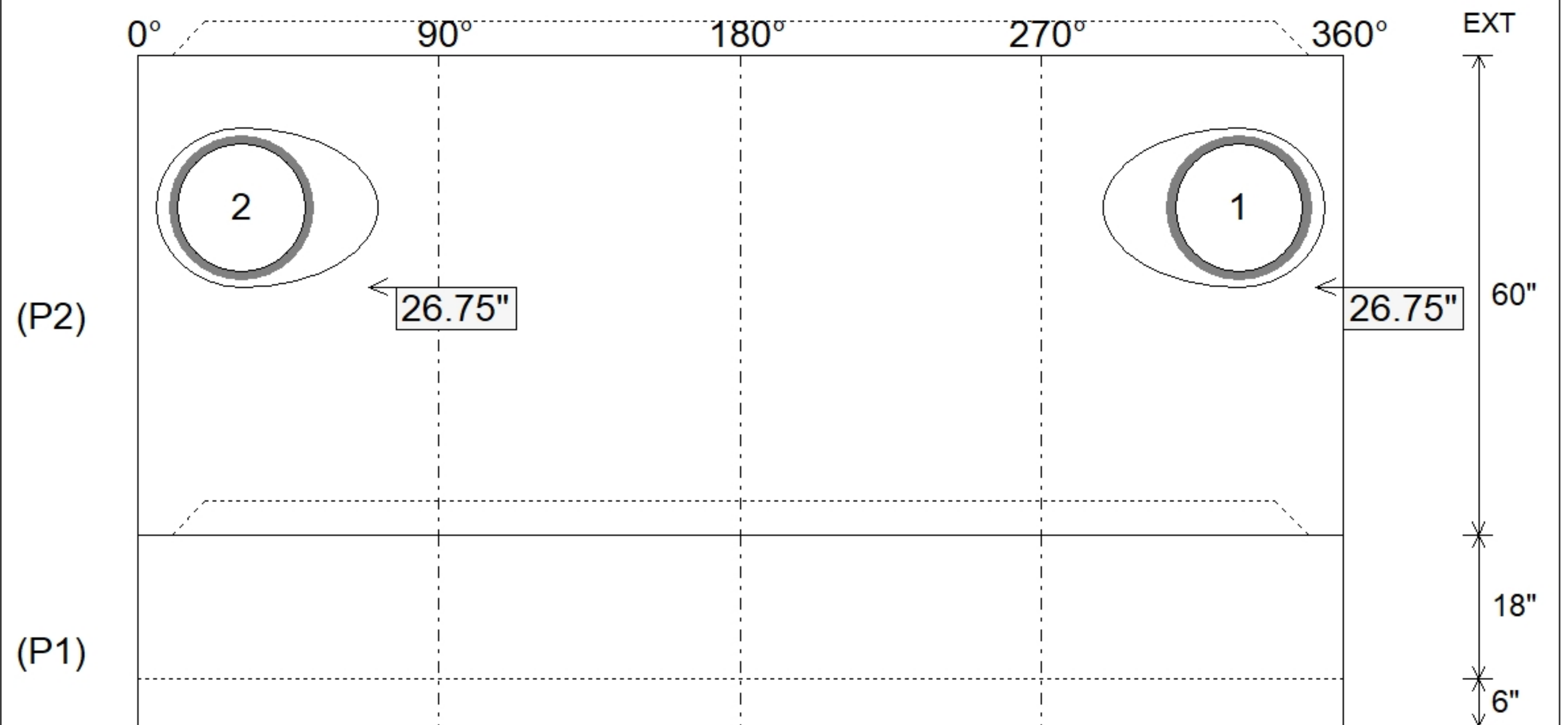
Structure Total:	8693 lb



Position	Elev	Angle	Pipe	Pipe OD	Hole	Connector	Up (")	Ref
Rim	684.75'							
Reducer								
Invert 1	679.95'	0°	16" HDPE	18"	20"	Hole 20	26.75"	P2
Invert 2	679.95'	0°	16" HDPE	18"	20"	Hole 20	26.75"	P2
Invert 3								
Invert 4								
Invert 5								
Invert 6								
Invert 7								
Invert 8								



Default - Interior Dimensions



Submittal Drawing
 3/16/2026 9:02:21 AM

SUBMITTAL
 APPROVED BY: