

Job Name: 26-1370 833973 Cedar Creek Connector
Job Location: Louisville, KY
Contractor: Contech Engineering Solutions

PC: T. Sekula
 TECH: S. Felletter
 Plant: Beaver Dam



Structure ID: **10-CS-3**
 Spec: Storm-Pipe Centered
 Type: STM.MH
 Size: 36"

Rim: 681'
 Invert: 676'
 Rim to Invert: 5'

Sump: 38.04"
 Floor (Top): 672.83'
 Floor Height: 6"

Floor (Bot): 672.33'
 Overall Height: 8.667'
 Slack: 0.04"

Structure Notes:
 4" CASTING BY OTHERS

LIFTING ANCHORS TO BE INSTALLED
 ON THE OUTSIDE OF THE STRUCTURE

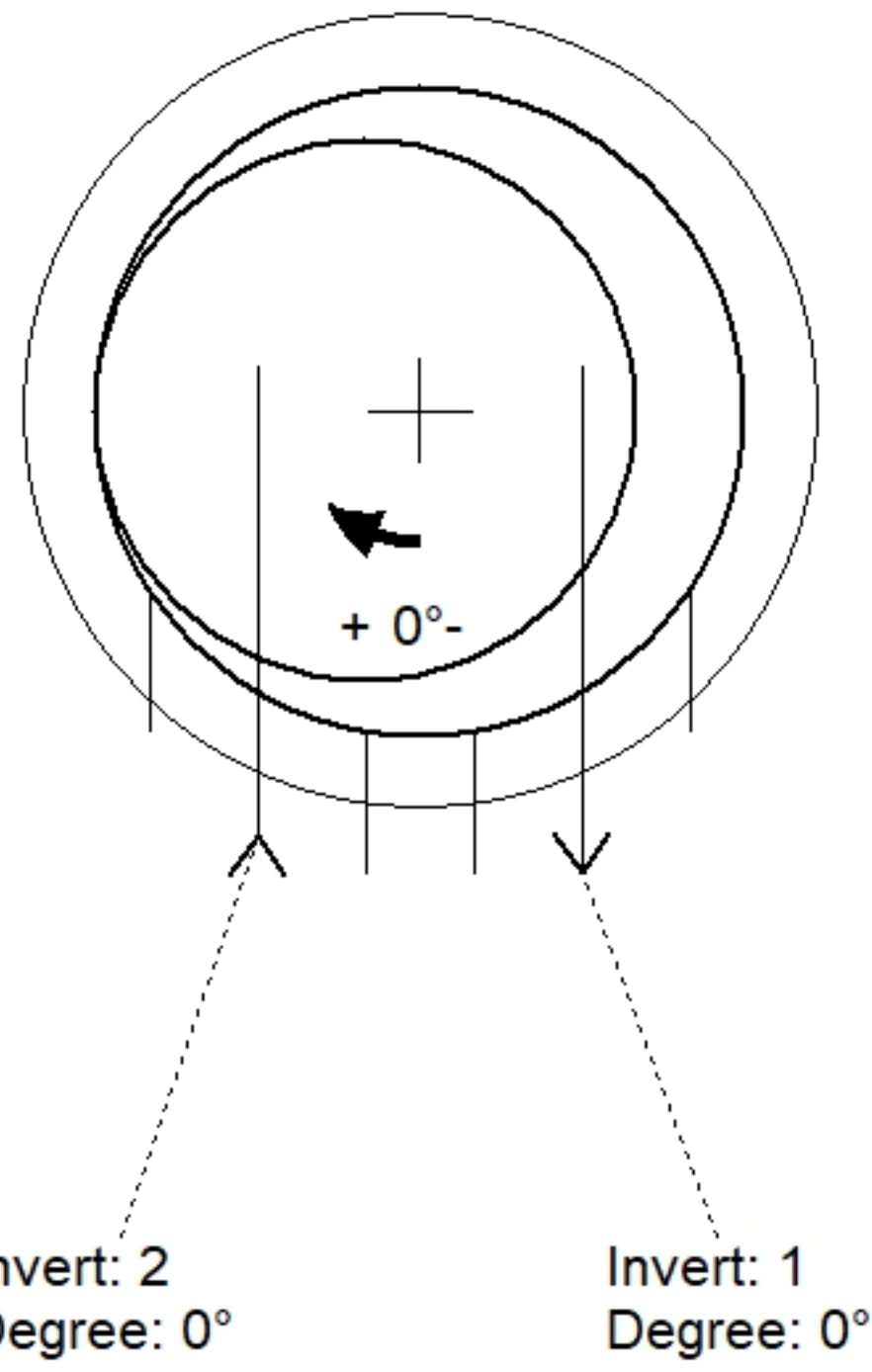
ICAST TO INSTALL THE INTERNALS

CONTECH'S LOGO AS WELL AS THE
 INLET AND OUTLET MUST BE
 STENCILED ONTO THE STRUCTURE

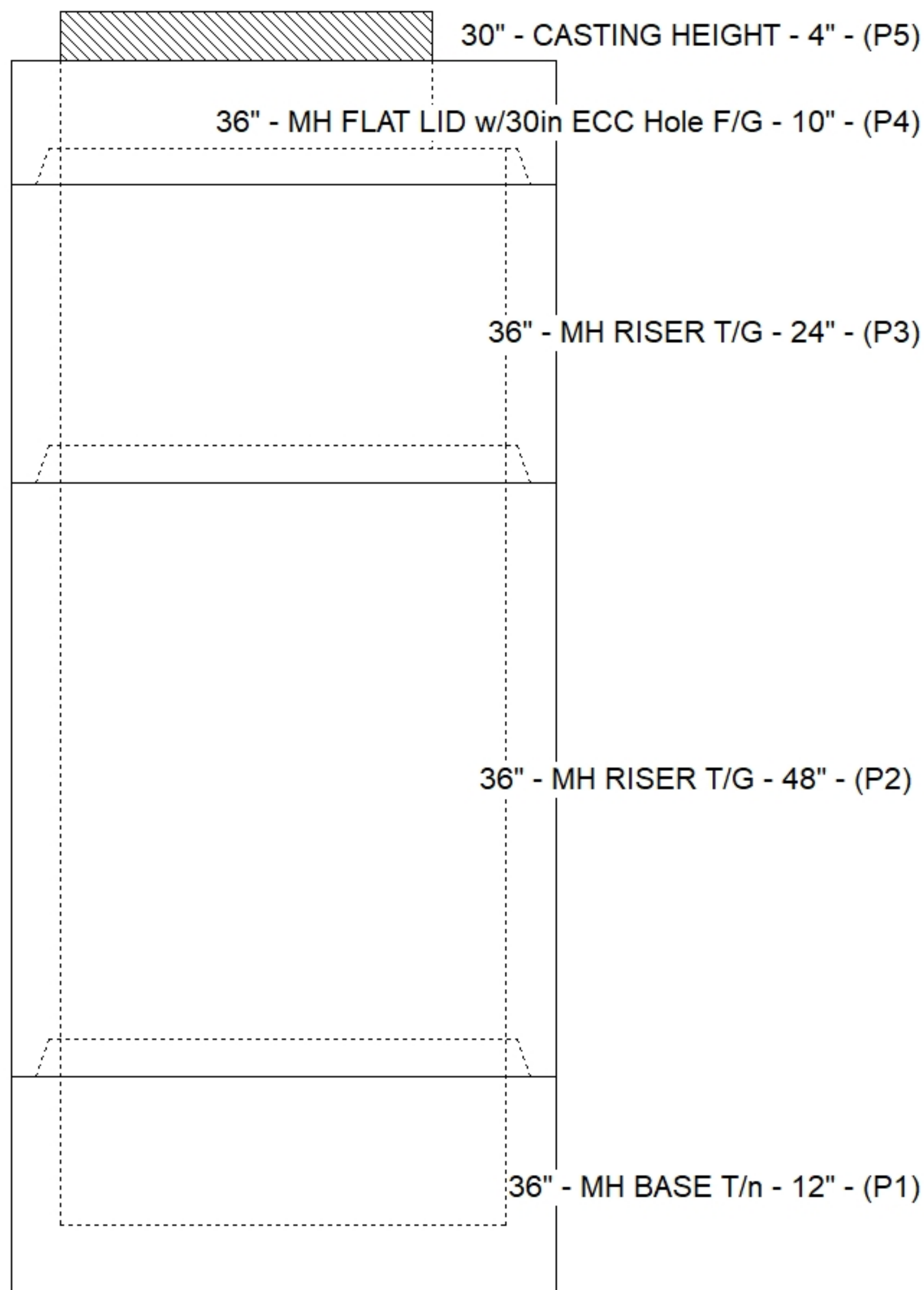
STRUCTURE SUMMARY:

P5) 30" - CASTING HEIGHT - 4"	0 lb
P4) 36" - MH FLAT LID w/30in ECC Hole F/G - 10"	683 lb
P3) 36" - MH RISER T/G - 24"	1012 lb
P2) 36" - MH RISER T/G - 48"	1935 lb
P1) 36" - MH BASE T/n - 12"	1272 lb
1) CVSTENCILING	0 lb
1) ASSEMBLY REQUIRED	0 lb
3) 36" - Conseal CS-102 1.00"	0 lb
2) Hole - 12	0 lb

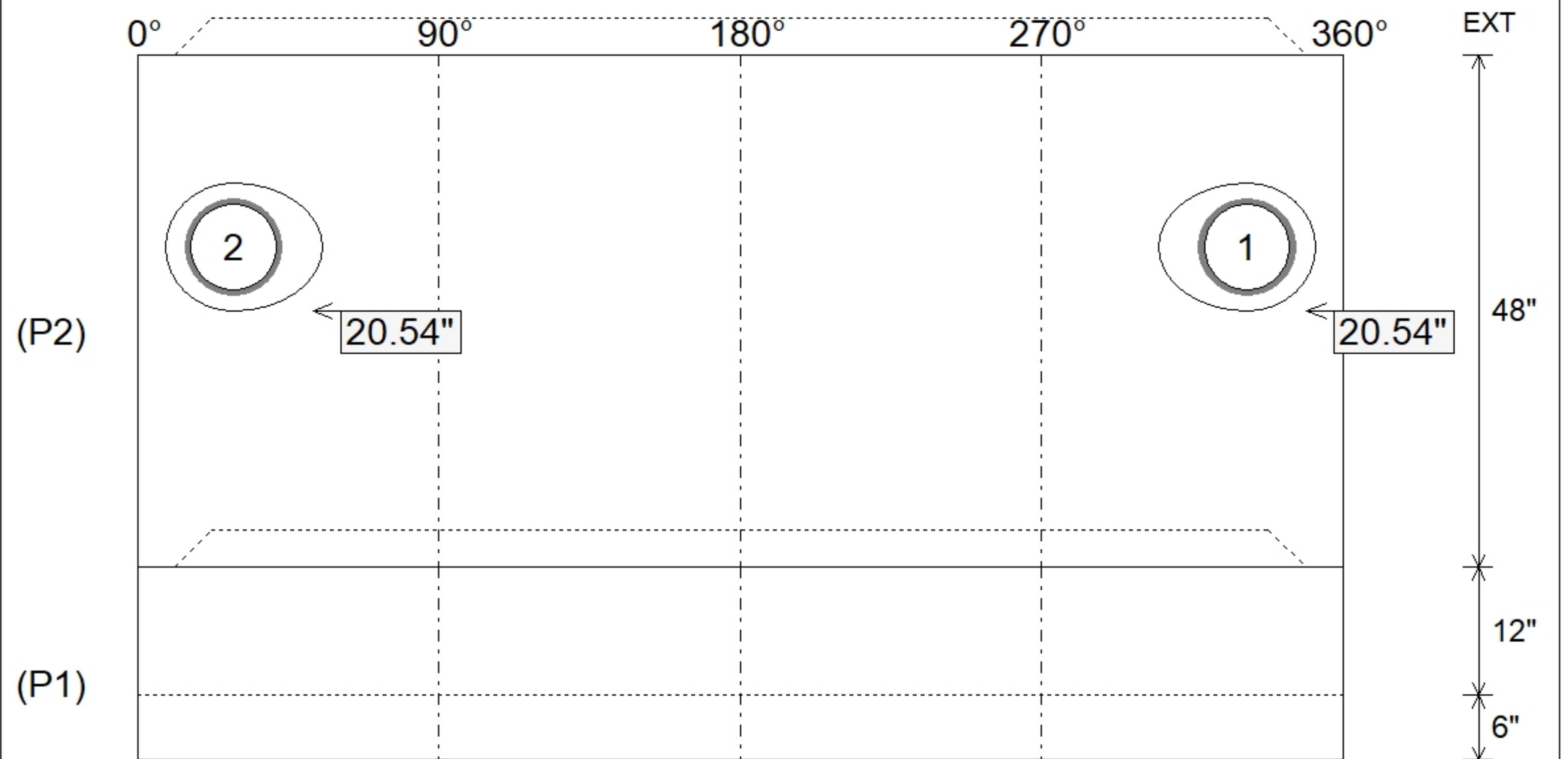
Structure Total:	4902 lb



Position	Elev	Angle	Pipe	Pipe OD	Hole	Connector	Up (")	Ref
Rim	681'							
Reducer								
Invert 1	676'	0°	8" HDPE	9.1"	12"	Hole 12	20.54"	P2
Invert 2	676'	0°	8" HDPE	9.1"	12"	Hole 12	20.54"	P2
Invert 3								
Invert 4								
Invert 5								
Invert 6								
Invert 7								
Invert 8								



Default - Interior Dimensions



Submittal Drawing
 2/20/2026 10:18:06 AM

SUBMITTAL
 APPROVED BY: