

Job Name: 26-1346 880741 St. Joseph's Children's Home
 Job Location: Louisville, KY
 Contractor: Contech Engineering Solutions

Plant: Beaver Dam
 2/17/2026 12:22:48 PM

Tech: S. Felletter
 PC: T. Sekula



Structure ID: 10-CS-3

P2 MH036RS72

MH RISER T/G

- P4) 30" - CASTING HEIGHT - 4"
- P3) 36" - MH FLAT LID w/30in ECC Hole F/G - 10"
- P2) 36" - MH RISER T/G - 72"
- P1) 36" - MH BASE T/n - 12"
- 1) CVSTENCILING
- 1) ASSEMBLY REQUIRED
- 2) 36" - Conseal CS-102 1.00"
- 2) Hole - 16

0 lb
 683 lb
 2893 lb
 1272 lb
 0 lb
 0 lb
 0 lb
 0 lb
 0 lb

 Structure Total: 4848 lb

Structure Notes:
 4" CASTING BY OTHERS

 LIFTING ANCHORS TO BE INSTALLED
 ON THE OUTSIDE OF THE STRUCTURE

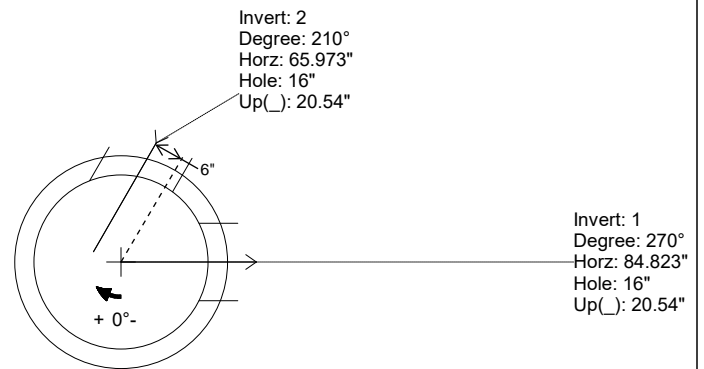
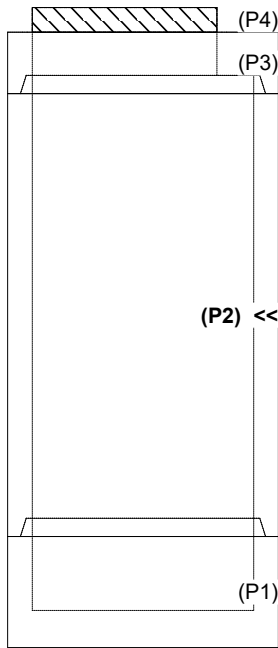
 ICAST TO INSTALL THE INTERNALS

 CONTECH'S LOGO AS WELL AS THE
 INLET AND OUTLET MUST BE
 STENCILED ONTO THE STRUCTURE

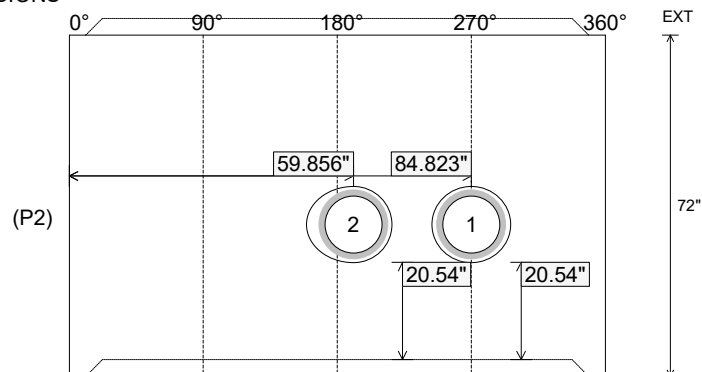
Rim: 532.5' Rim to Invert: 5.47' Slack: 5.68" Sump: 38.04" Step Position:

Position	Elev	Angle	Ext. (cw)	Pipe	Pipe OD	Connector	Hole	Horz Size	Up ()	Offset
Invert 1	527.03'	270°	103.673"	12" ADS N-12	14.5"	Hole 16	16"	16.58"	20.54"	0"
Invert 2	527.03'	210°	74.557"	12" ADS N-12	14.5"	Hole 16	16"	18.044"	20.54"	-6"
Invert 3										
Invert 4										
Invert 5										
Invert 6										
Invert 7										
Invert 8										

RIGHT-SIDE UP VIEW (int. dimensions)



INSIDE WALL DIMENSIONS



Coating (Int):
 Coating (Ext):

Seam Up: Tongue
 Seam Dn: Groove

Wall Thickness: 4"
 Floor Height: 0"

Height (Int): 72"
 Height (Ext): 72"

Weight (Net): 2893 lb
 Volume (Net): 0.74cu.yd