

Job Name: 26-1337 Legacy Pools
Job Location: Owensboro, KY
Contractor: John Maurice

PC: Trevor Lewis
 TECH: Jared - A
 Plant: 100



Structure ID: 5 ST-DBI

Spec: Storm
 Type: BX 8inW, 8inF
 Size: 24" x 24"

Rim: 410.9'
 Invert: 408.83'
 Rim to Invert: 2.07'

Sump: 1.25"
 Floor (Top): 408.726'
 Floor Height: 8"

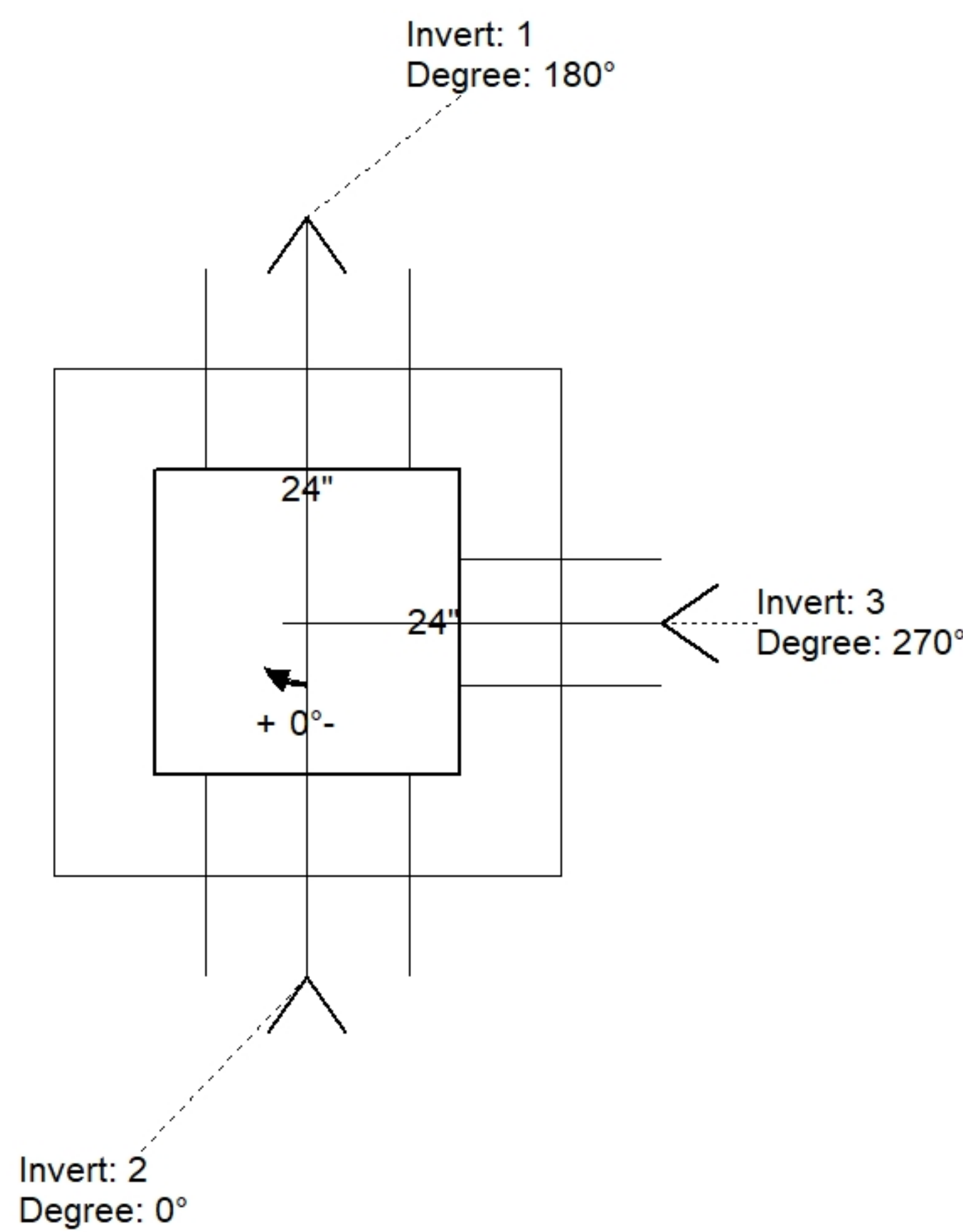
Floor (Bot): 408.059'
 Overall Height: 2.833'
 Slack: 0.09"

Structure Notes:

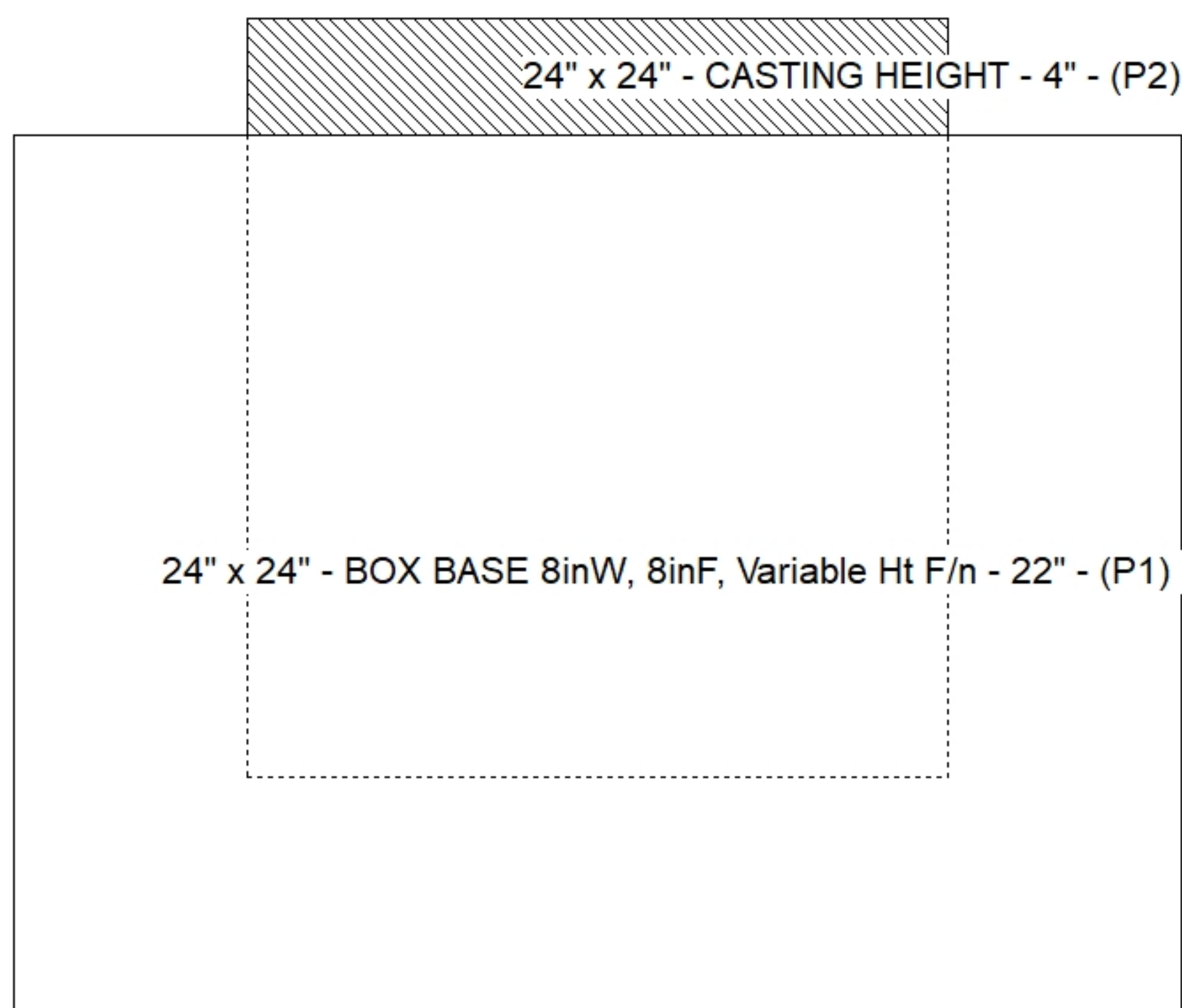
- PLAN LABEL : DBI 1
- HOE 280T F/G PROVIDED BY ICAST.
 - PER ASTM C913 SPECIFICATIONS.
 - CONCRETE = 4,000 PSI AT 28 DAYS.
 - NO INVERT CHANNEL.
 - REINFORCING PER ASTM A615 (GRADE 60).
 - WALLS (As .12) #5 BARS AT 12" C.C.E.W.
 - FLOOR (As .12) #5 BARS AT 12" C.C.E.W.

STRUCTURE SUMMARY:

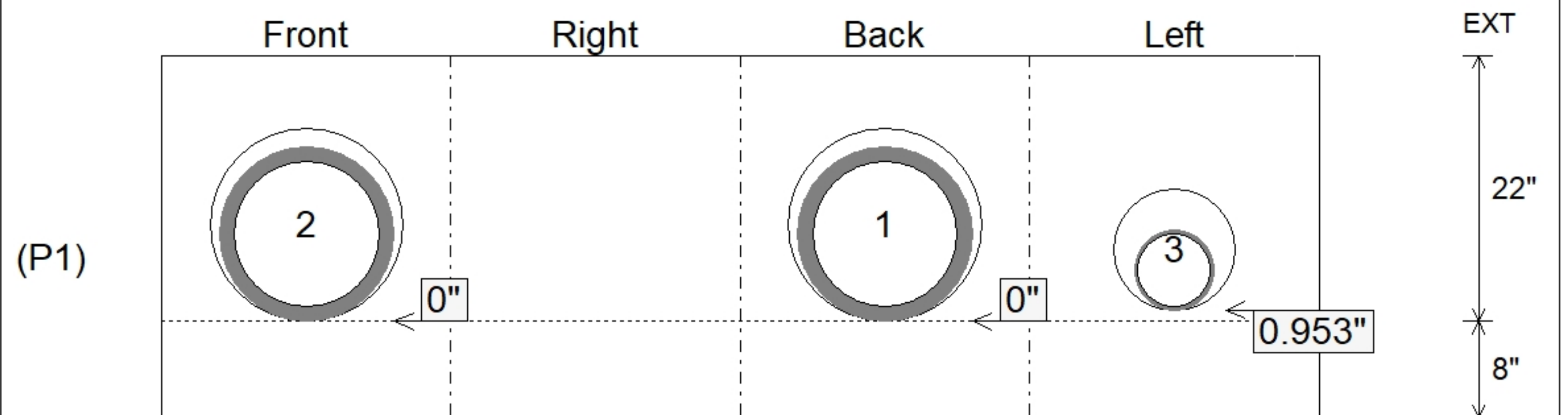
P2) 24" x 24" - CASTING HEIGHT - 4"	0 lb
P1) 24" x 24" - BOX BASE 8inW, 8inF, Variable Ht F/n - 22"	2642 lb
1) CASTING - HOE 280T F/G	182 lb
1) 24" x 24" - Conseal CS-102 1.00"	0 lb
2) Hole - 16	0 lb
1) Hole - 10	0 lb
Structure Total:	2824 lb



Position	Elev	Angle	Pipe	Pipe OD	Hole	Connector	Up (")	Ref
Rim	410.9'							
Reducer								
Invert 1	408.83'	180°	12" HDPE	14.5"	16"	Hole 16	0"	P1
Invert 2	408.83'	0°	12" HDPE	14.5"	16"	Hole 16	0"	P1
Invert 3	408.83'	270°	6" PVC SCH40	6.625"	10"	Hole 10	0.953"	P1
Invert 4								
Invert 5								
Invert 6								
Invert 7								
Invert 8								



Default - Interior Dimensions



Submittal Drawing
 3/12/2026 10:28:58 AM

SUBMITTAL
 APPROVED BY: