

Job Name: 26-1337 Legacy Pools
Job Location: Owensboro, KY
Contractor: John Maurice

PC: Trevor Lewis
 TECH: Jared - A
 Plant: 100



Structure ID: 4 ST-JB

Spec: Storm
 Type: Junction Box
 Size: 48"

Rim: 411.59'
 Invert: 408.83'
 Rim to Invert: 2.76'

Sump: 1.25"
 Floor (Top): 408.726'
 Floor Height: 6"

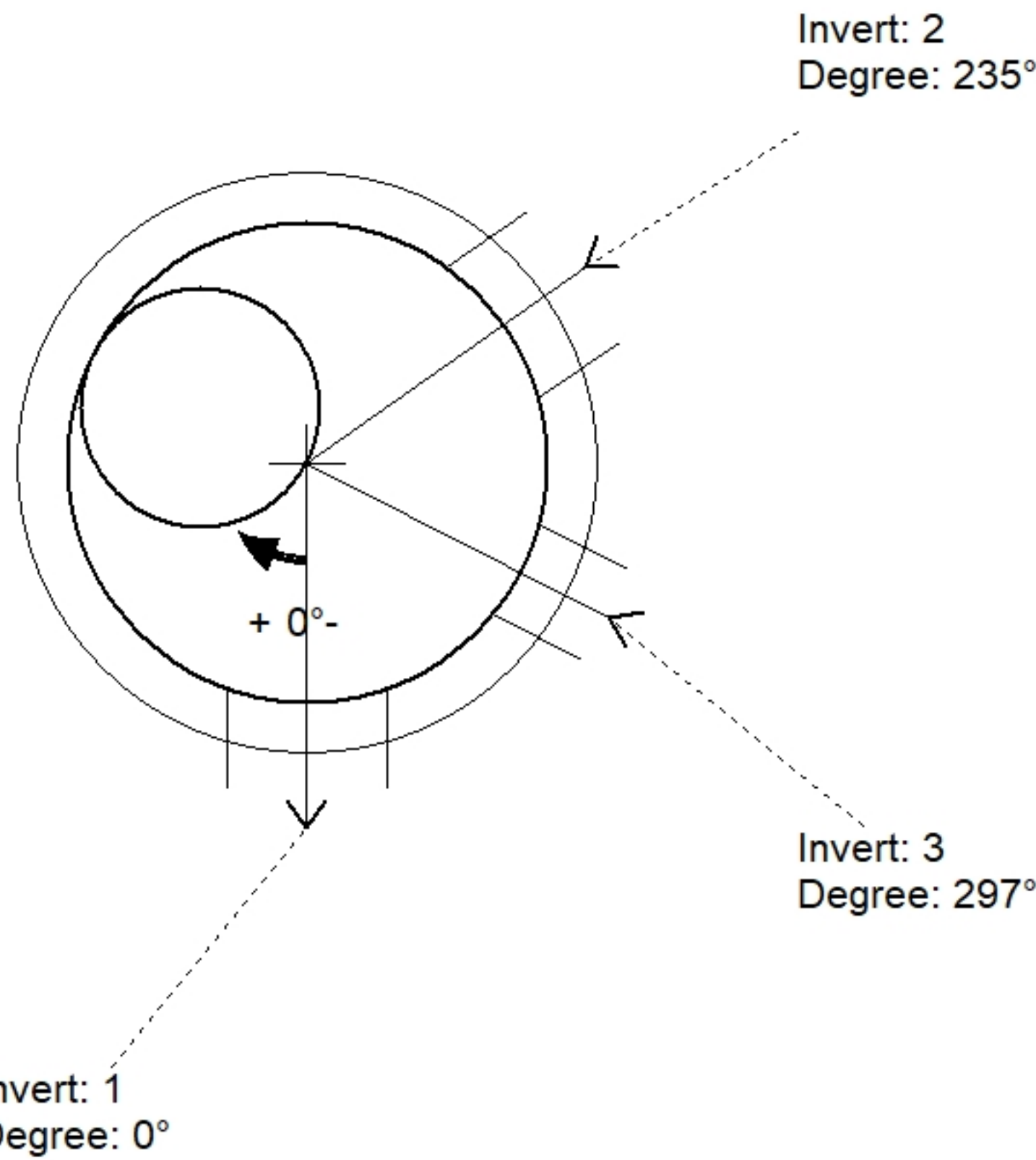
Floor (Bot): 408.226'
 Overall Height: 3.333'
 Slack: 0.37"

Structure Notes:

1. HOE MC-315 F/C STORM PROVIDED BY ICAST.
2. PER ASTM C478 SPECIFICATIONS.
3. CONCRETE = 4,000 PSI AT 28 DAYS.
4. REINFORCING PER ASTM A615 (GRADE 60).
 - TOP SLAB (As .62) #5 BARS AT 6" C.C.E.W..
 - RISER/WALLS (As .12)
 - FLOOR (As .31) #5 BARS AT 12" C.C.E.W.

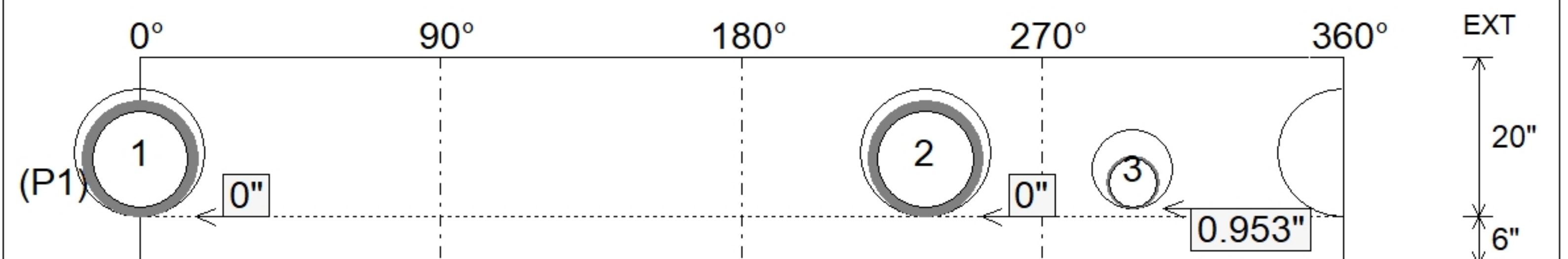
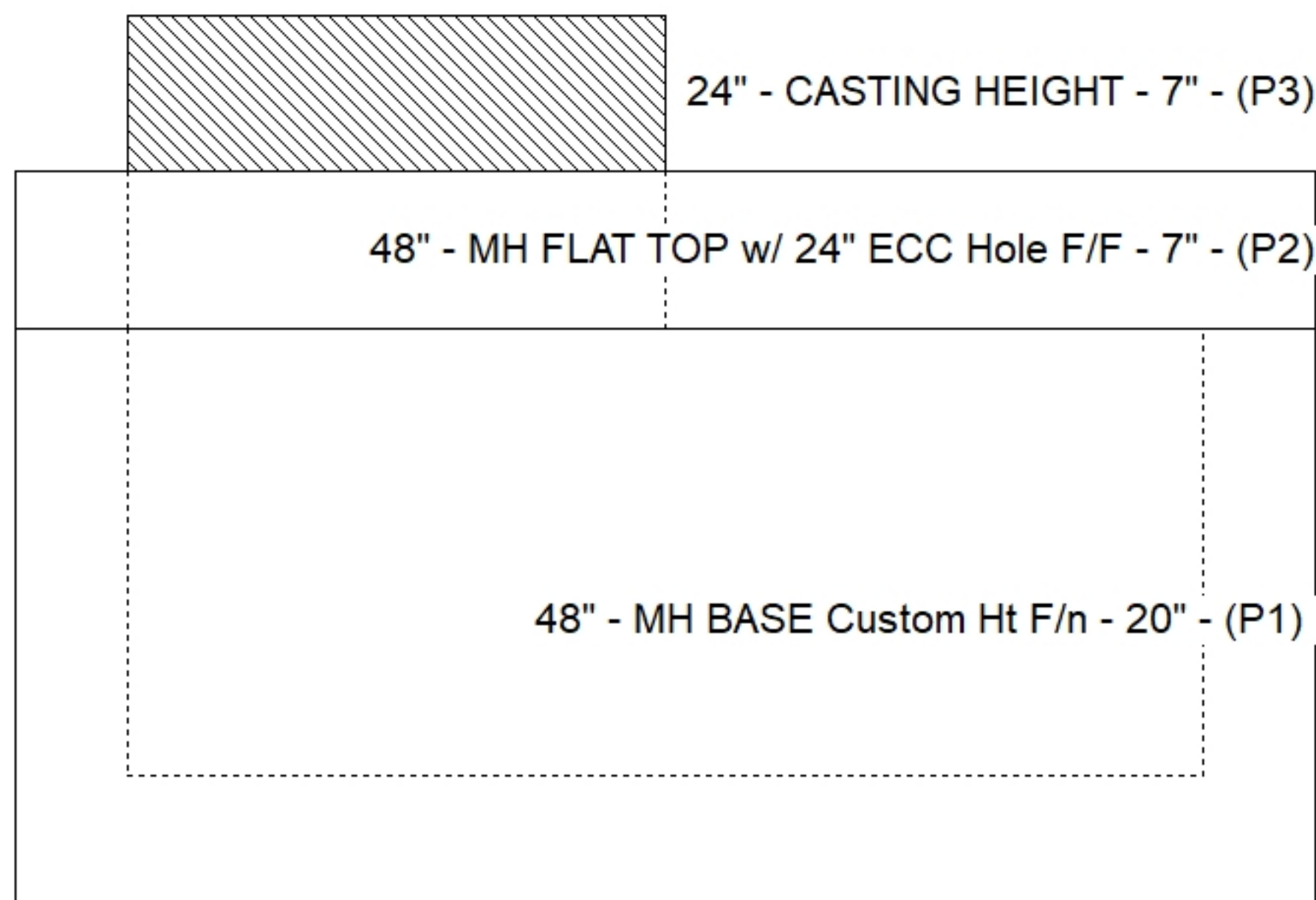
STRUCTURE SUMMARY:

P3) 24" - CASTING HEIGHT - 7"	0 lb
P2) 48" - MH FLAT TOP w/ 24" ECC Hole F/F - 7"	1286 lb
P1) 48" - MH BASE Custom Ht F/n - 20"	2523 lb
1) CASTING - HOE MC-315 F/C Storm	258 lb
1) 48" - Conseal CS-102 1.00"	0 lb
2) Hole - 16	0 lb
1) Hole - 10	0 lb
Structure Total:	4067 lb



Position	Elev	Angle	Pipe	Pipe OD	Hole	Connector	Up (")	Ref
Rim	411.59'							
Reducer								
Invert 1	408.83'	0°	12" HDPE	14.5"	16"	Hole 16	0"	P1
Invert 2	408.83'	235°	12" HDPE	14.5"	16"	Hole 16	0"	P1
Invert 3	408.83'	297°	6" PVC SCH40	6.625"	10"	Hole 10	0.953"	P1
Invert 4								
Invert 5								
Invert 6								
Invert 7								
Invert 8								

Default - Interior Dimensions



Submittal Drawing
 3/12/2026 10:28:57 AM

SUBMITTAL
 APPROVED BY: