

Job Name: 26-1337 Legacy Pools  
 Job Location: Owensboro, KY  
 Contractor: John Maurice

Plant: 100  
 3/12/2026 10:29:10 AM

Tech: Jared - A  
 PC: Trevor Lewis



**Structure ID: 4 ST-JB**

**P1 MH048BAVF**

**MH BASE Custom Ht F/n**

P3) 24" - CASTING HEIGHT - 7"	0 lb
P2) 48" - MH FLAT TOP w/ 24" ECC Hole F/F - 7"	1286 lb
P1) 48" - MH BASE Custom Ht F/n - 20"	2523 lb
1) CASTING - HOE MC-315 F/C Storm	258 lb
1) 48" - Conseal CS-102 1.00"	0 lb
2) Hole - 16	0 lb
1) Hole - 10	0 lb
<b>Structure Total:</b>	<b>4067 lb</b>

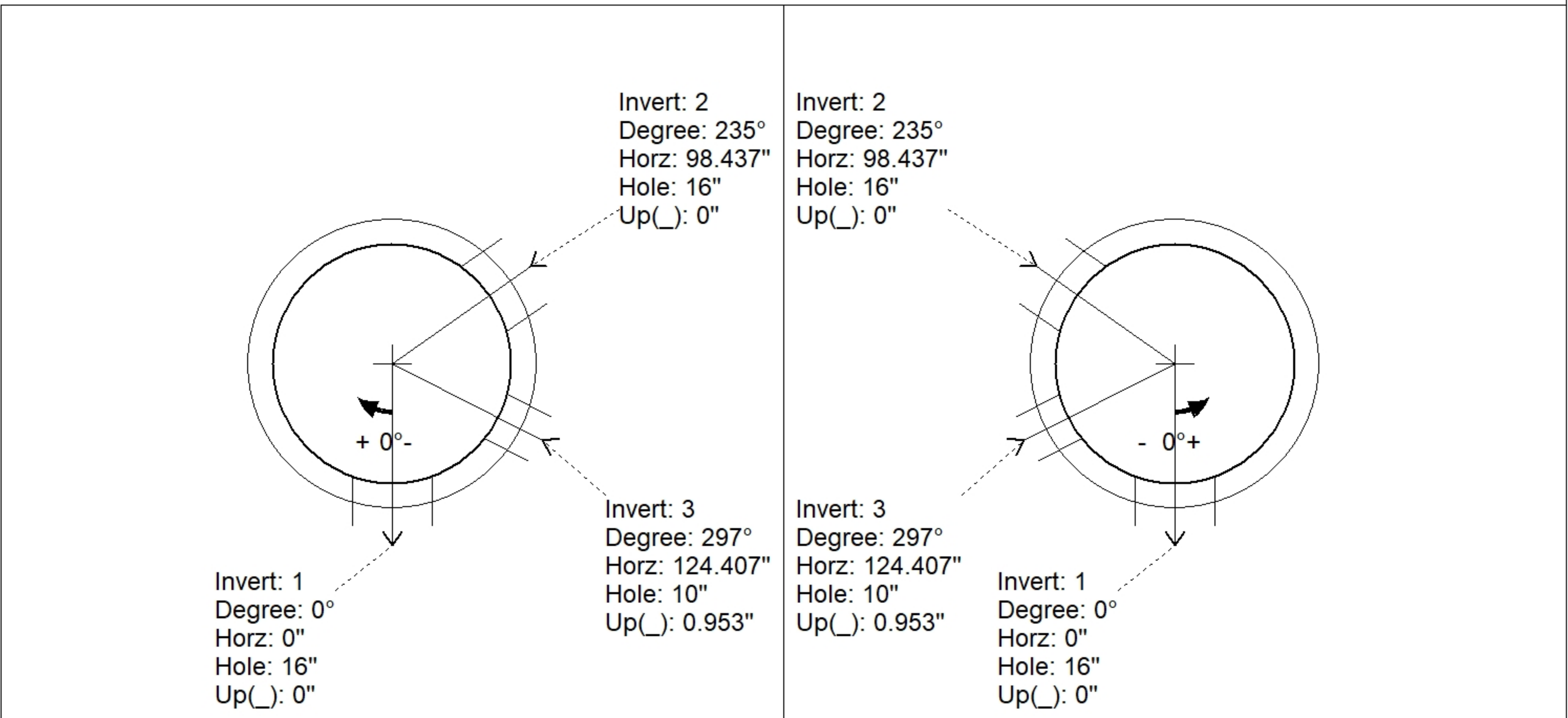
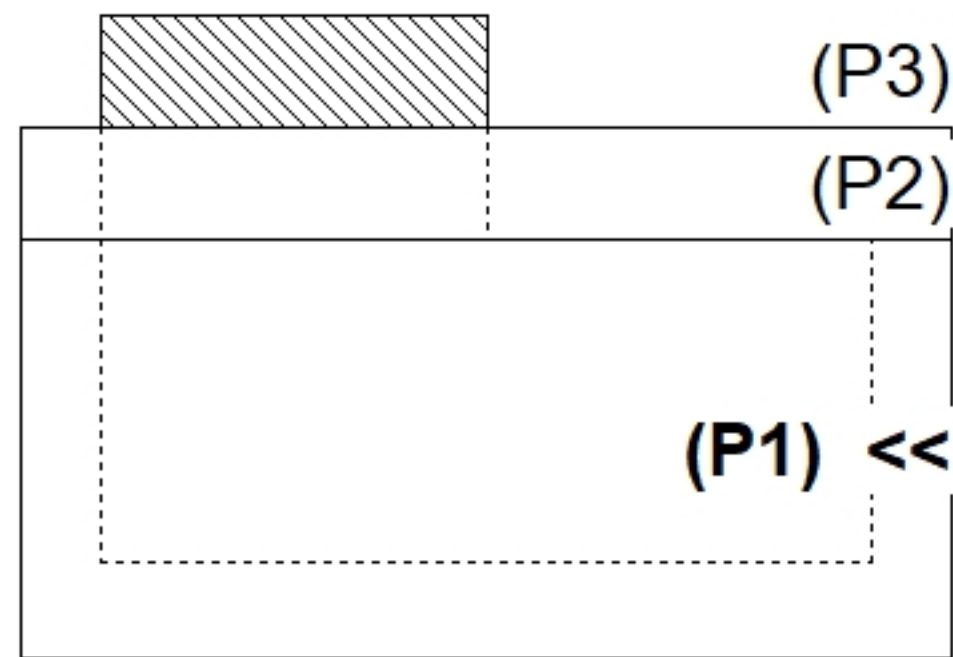
**Structure Notes:**  
 1. HOE MC-315 F/C STORM PROVIDED BY ICAST.  
 2. PER ASTM C478 SPECIFICATIONS.  
 3. CONCRETE = 4,000 PSI AT 28 DAYS.  
 4. REINFORCING PER ASTM A615 (GRADE 60).  
 - TOP SLAB (As .62) #5 BARS AT 6" C.C.E.W..  
 - RISER/WALLS (As .12)  
 - FLOOR (As .31) #5 BARS AT 12" C.C.E.W.

Rim: 411.59' Rim to Invert: 2.76' Slack: 0.37" Sump: 1.25" Step Position:

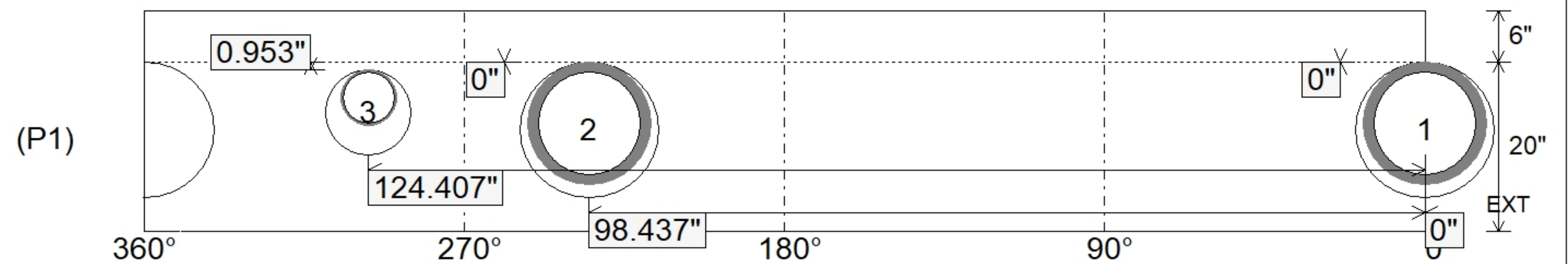
Position	Elev	Angle	Ext. (cw)	Pipe	Pipe OD	Connector	Hole	Horz Size	Up ( )	Offset
Invert 1	408.83'	0°	0"	12" HDPE	14.5"	Hole 16	16"	16.312"	0"	0"
Invert 2	408.83'	235°	118.944"	12" HDPE	14.5"	Hole 16	16"	16.312"	0"	0"
Invert 3	408.83'	297°	150.325"	6" PVC SCH40	6.625"	Hole 10	10"	10.074"	0.953"	0"
Invert 4										
Invert 5										
Invert 6										
Invert 7										
Invert 8										

RIGHT-SIDE UP VIEW (int. dimensions)

UPSIDE-DOWN VIEW (int. dimensions)



INSIDE WALL DIMENSIONS



Coating (Int):  
 Coating (Ext):

Seam Up: Flat  
 Seam Dn: n/a

Wall Thickness: 5"  
 Floor Height: 6"

Height (Int): 20"  
 Height (Ext): 26"

Weight (Net): 2523 lb  
 Volume (Net): 0.64cu.yd