

Job Name: 26-1337 Legacy Pools
 Job Location: Owensboro, KY
 Contractor: John Maurice

Plant: 100
 3/12/2026 10:29:09 AM

Tech: Jared - A
 PC: Trevor Lewis



Structure ID: 3 ST-DBI

P1 BX2424-08BAVF

BOX BASE 8inW, 8inF, Variable Ht F/n

- P2) 24" x 24" - CASTING HEIGHT - 4"
- P1) 24" x 24" - BOX BASE 8inW, 8inF, Variable Ht F/n - 21"
- 1) CASTING - HOE 280T F/G
- 1) 24" x 24" - Conseal CS-102 1.00"
- 2) Hole - 16
- 1) Hole - 10

0 lb
 2556 lb
 182 lb
 0 lb
 0 lb
 0 lb

 Structure Total: 2738 lb

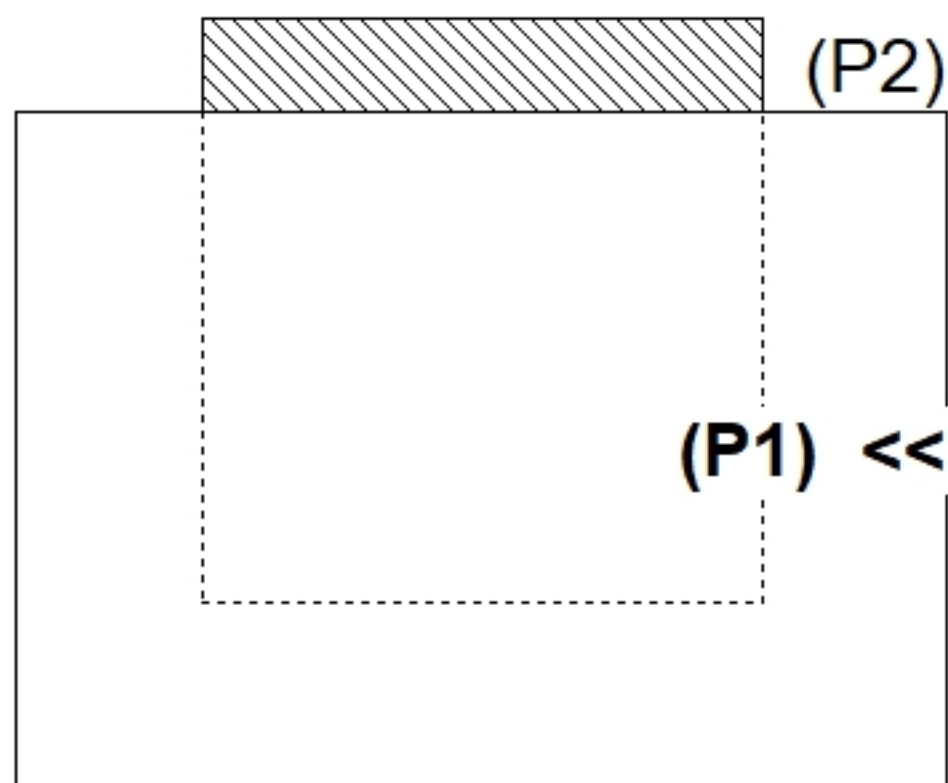
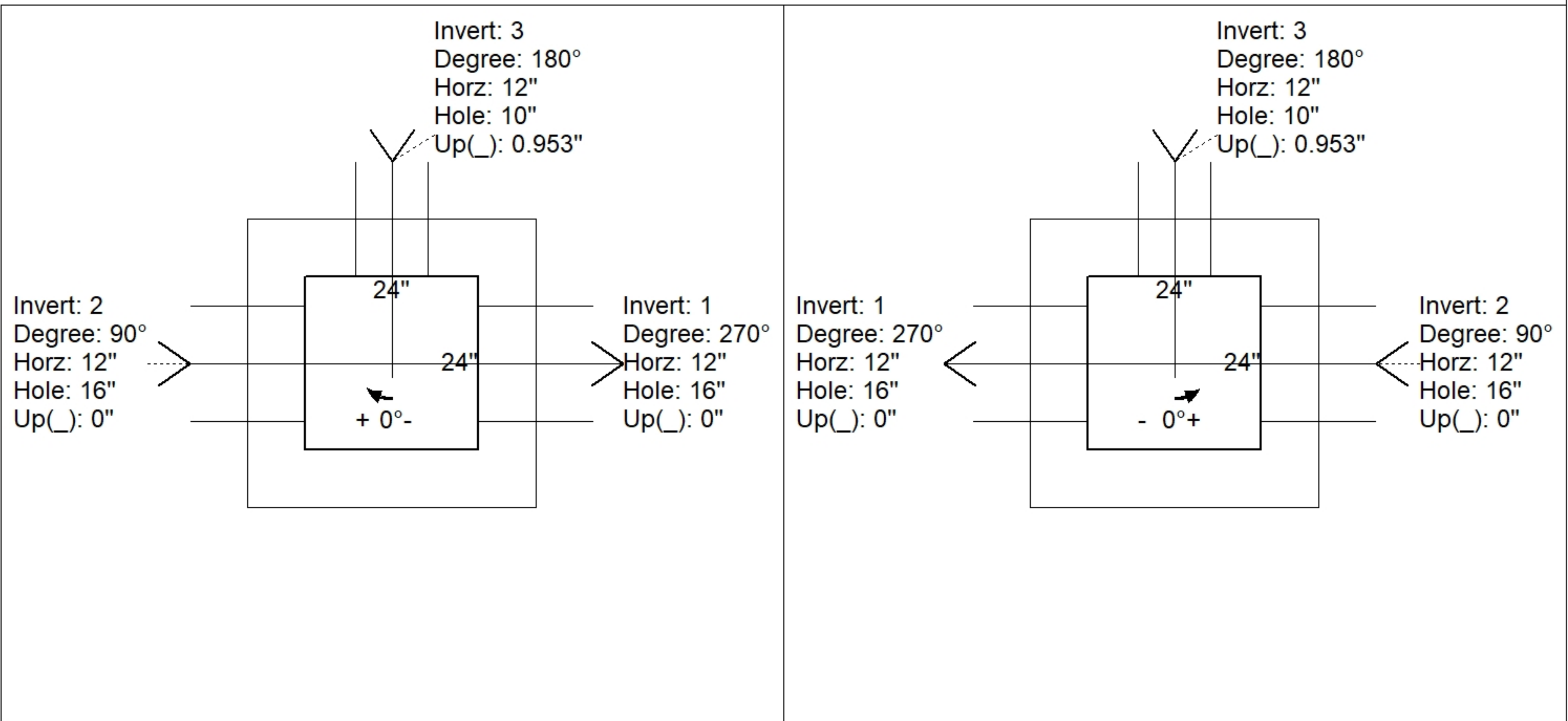
Structure Notes:
 PLAN LABEL : DBI 2
 1. HOE 280T F/G PROVIDED BY ICAST.
 2. PER ASTM C913 SPECIFICATIONS.
 3. CONCRETE = 4,000 PSI AT 28 DAYS.
 4. NO INVERT CHANNEL.
 5. REINFORCING PER ASTM A615 (GRADE 60).
 - WALLS (As .12) #5 BARS AT 12" C.C.E.W.
 - FLOOR (As .12) #5 BARS AT 12" C.C.E.W.

Rim: 410.85' Rim to Invert: 2.02' Slack: 0.49" Sump: 1.25" Step Position:

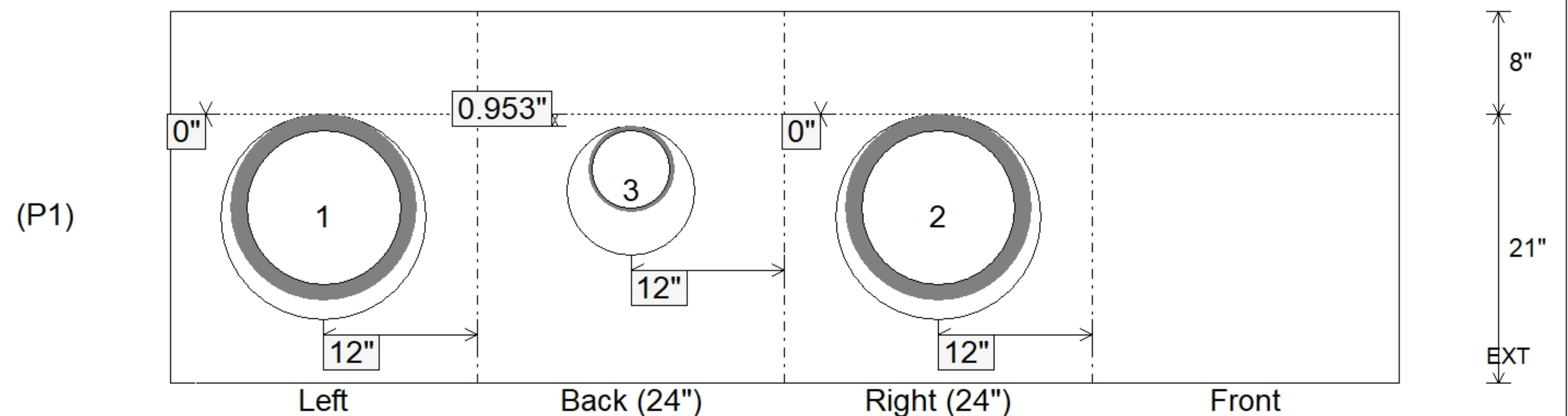
Position	Elev	Angle	Ext. (cw)	Pipe	Pipe OD	Connector	Hole	Horz Size	Up ()	Offset
Invert 1	408.83'	270°	20"	12" HDPE	14.5"	Hole 16	16"	16"	0"	0"
Invert 2	408.83'	90°	20"	12" HDPE	14.5"	Hole 16	16"	16"	0"	0"
Invert 3	408.83'	180°	20"	6" PVC SCH40	6.625"	Hole 10	10"	10"	0.953"	0"
Invert 4										
Invert 5										
Invert 6										
Invert 7										
Invert 8										

RIGHT-SIDE UP VIEW (int. dimensions)

UPSIDE-DOWN VIEW (int. dimensions)



INSIDE WALL DIMENSIONS



Coating (Int):
 Coating (Ext):

Seam Up: Flat
 Seam Dn: n/a

Wall Thickness: 8"
 Floor Height: 8"

Height (Int): 21"
 Height (Ext): 29"

Weight (Net): 2556 lb
 Volume (Net): 0.65cu.yd